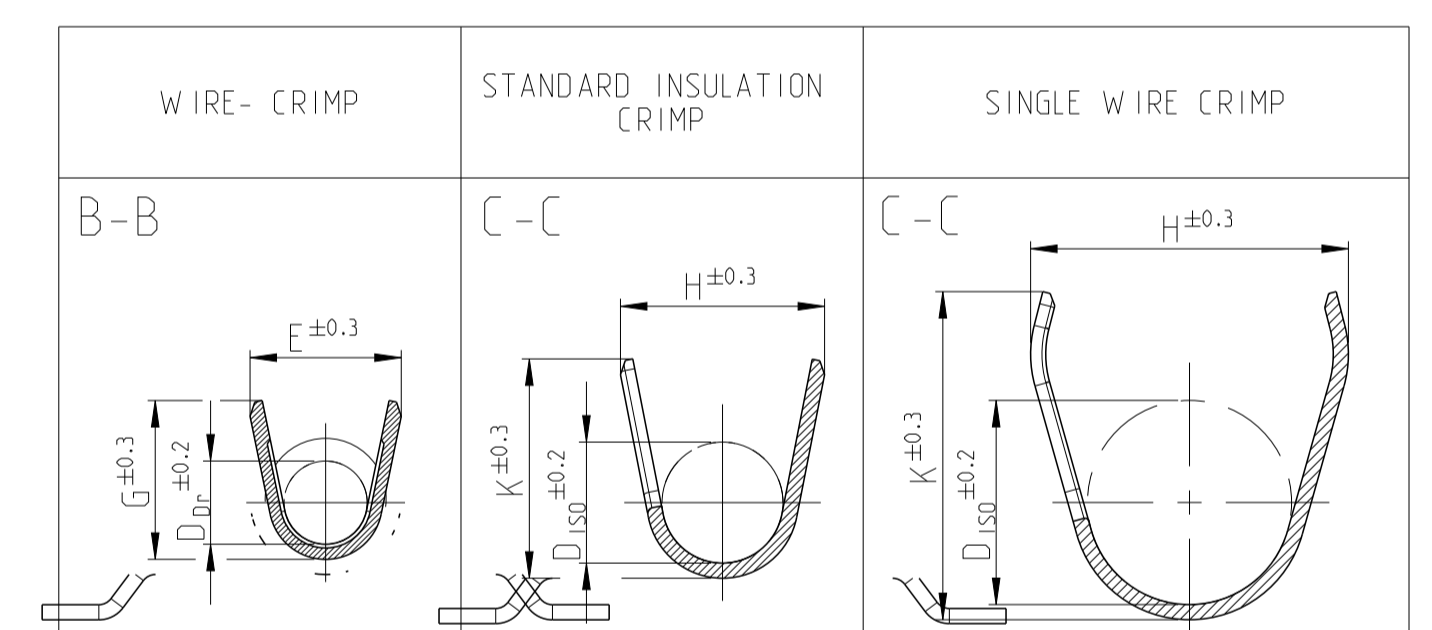
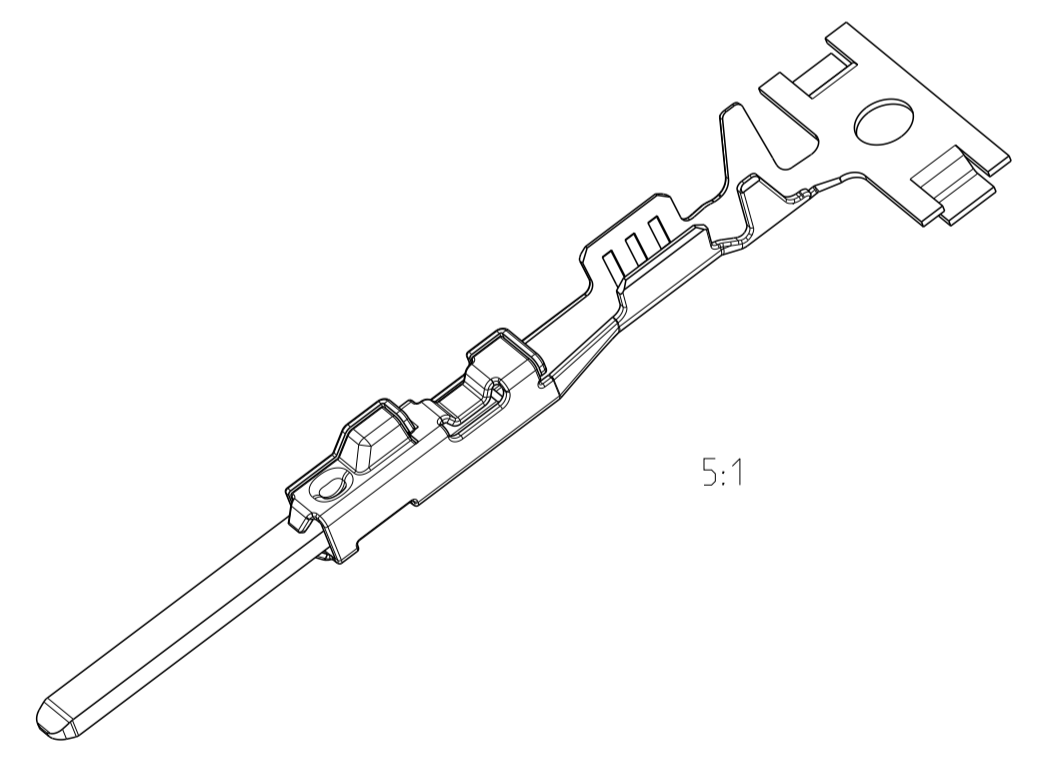


REVISIONS				
REV	DATE	DESCRIPTION	BY	APPV
A	24NOV2022	INITIAL RELEASE	S.D	W.Z
A1	12JAN2023	RIVISE	S.D	W.Z



ORDER NO. STRIP	WIRE RANGE (mm ²)	INSULATION-Ø (mm)	MATERIAL		SURFACE		CRIMP DIMENSIONS (mm)			DIMENSION MASS 'L' (mm)	INSULATION CRIMP FOR	SIMILAR WITH GLOBAL PN
			BODY	TAB	BODY	TAB	LENGTH	WIRE CRIMP	INSULATION CRIMP			
TBD-3	1.0-1.5	1.9-2.4	CuSn4	CuSn0.15/0.20	TIN	△4	A = 3.0	E = 2.6	H = 4.4	16.8	SINGLE WIRE SEALING SYSTEM	TBD
-						△3	B = 2.0	G = 2.9	K = 4.3			
TBD-1						TIN	C = 6.8	D _{dr} = 1.35	D ₁₅₀ = 2.9			
2438919-3	0.5-0.75	1.4-1.9	CuSn4	CuSn0.15/0.20	TIN	△4	A = 2.6	E = 2.0	H = 4.2	16.3	SINGLE WIRE SEALING SYSTEM	2141116-3
-						△3	B = 2.0	G = 2.1	K = 4.3			
2438919-1						TIN	C = 6.4	D _{dr} = 1.1	D ₁₅₀ = 2.7			
2438918-3	0.25-0.35	1.1-1.6	CuSn4	CuSn0.15/0.20	TIN	△4	A = 2.6	E = 1.8	H = 4.2	16.3	SINGLE WIRE SEALING SYSTEM	2141116-1
-						△3	B = 2.0	G = 1.8	K = 4.3			
2438918-1						TIN	C = 6.4	D _{dr} = 0.8	D ₁₅₀ = 2.6			
TBD-3	1.0-1.5	1.9-2.4	CuSn4	CuSn0.15/0.20	TIN	△4	A = 3.0	E = 2.6	H = 3.7	16.3	FLR CABLE	TBD
TBD-2						△3	B = 2.0	G = 2.9	K = 3.9			
TBD-1						TIN	C = 6.1	D _{dr} = 1.35	D ₁₅₀ = 2.1			
2438914-3	0.5-0.75	1.4-1.9	CuSn0.15/0.20	CuSn0.15/0.20	TIN	△4	A = 3.0	E = 2.0	H = 2.7	16.3	FLR CABLE	TBD
2438914-2						△3	B = 2.0	G = 2.1	K = 2.9			
2438914-1						TIN	C = 6.1	D _{dr} = 1.1	D ₁₅₀ = 1.6			
2438913-3	0.25-0.35	1.1-1.6	CuSn0.15/0.20	CuSn0.15/0.20	TIN	△4	A = 2.6	E = 1.8	H = 2.6	15.3	FLR CABLE	TBD
2438913-2						△3	B = 2.0	G = 1.8	K = 2.6			
2438913-1						TIN	C = 5.7	D _{dr} = 0.8	D ₁₅₀ = 1.4			

- △ LASER WELDED
- △ REVISION STATUS
- △ CONTACT AREA TAB MIN. 0.8um SELECTIV GOLD OVER NI
- △ CONTACT AREA TAB MIN 2.0um SELECTIV SILVER
- 5 RETENTION FORCE INSERT TAB PUSHED INSIDE BODY MIN. 40N
- △ DIFFERENT FORM OF THE SERRATIONS AND WIRE-CRIMP POSSIBLE
- △ SEE APPLICATION SPECIFICATION TE-SPEC. 114-18464
- △ PN/9 is Suzhou Version PN, similar with Global PN/10



PRODUCT CHARACTERISTICS ACC. QMP_EMEA_012 BESONDERE MERKMALE NACH QMP_EMEA_012		TOLERANCING ISO 8015 TOLERIERUNG ISO 8015	
THIS DRAWING IS A CONTROLLED DOCUMENT.		OWN	24NOV2022
DIMENSIONS:		S.D.U	24NOV2022
mm	TOLERANCES UNLESS OTHERWISE SPECIFIED:	CHK	J.GU
0 PLC	mm ±0.1	APV	W.ZHANG
1 PLC	mm ±0.2	PRODUCT SPEC	24NOV2022
2 PLC	mm ±0.3	108-18782	
3 PLC	mm ±0.4	APPLICATION SPEC	
4 PLC	mm ±0.5	114-18464	
ANGLES	° ±1	WEIGHT	
MATERIAL		CUSTOMER DRAWING	

NAME	MCON 1.2 TAB-CB-TERMINAL
SIZE	
CAGE CODE	
DRAWING NO	00779
RESTRICTED TO	
SCALE	10:1
SHEET	1 of 1
REV	A1