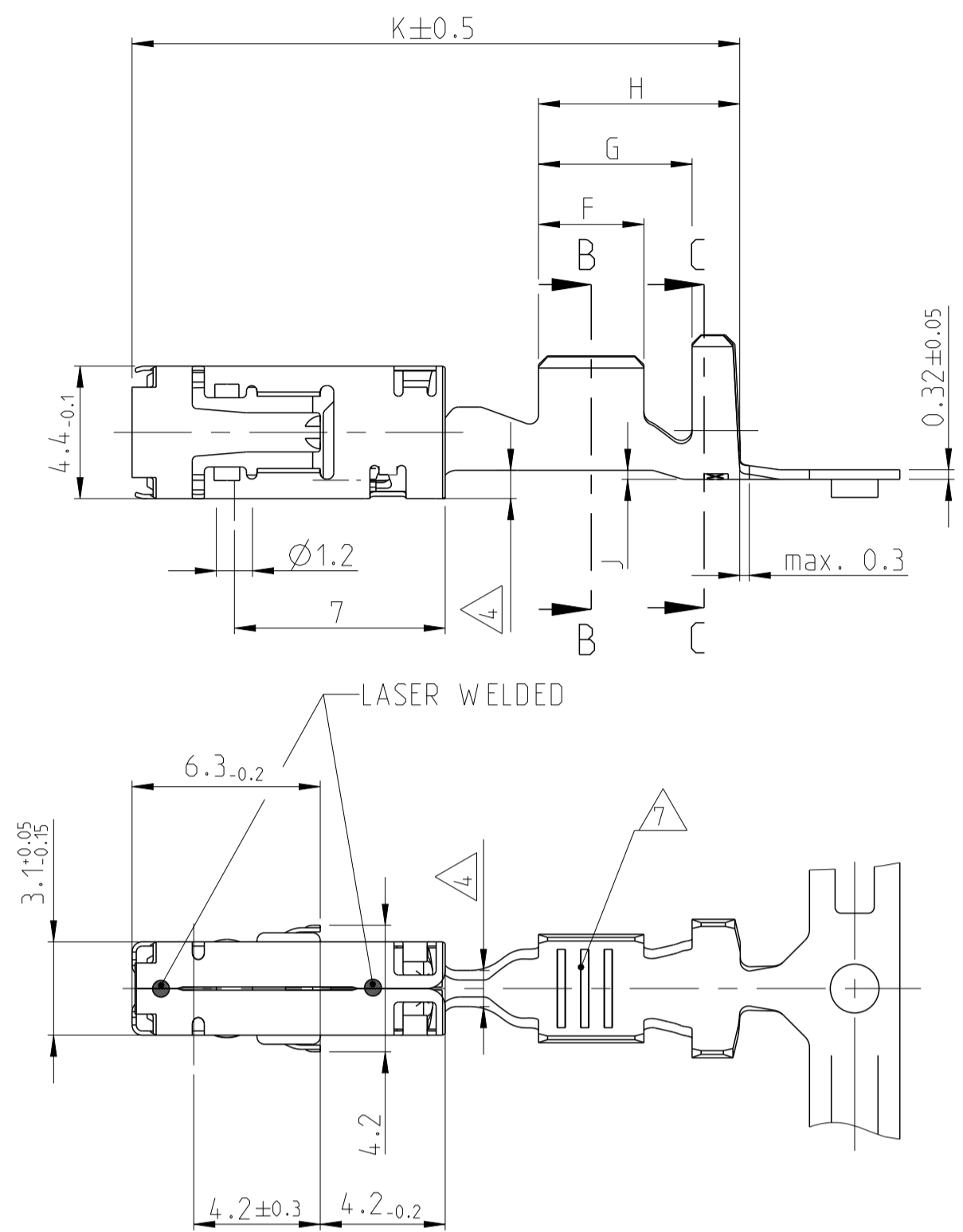
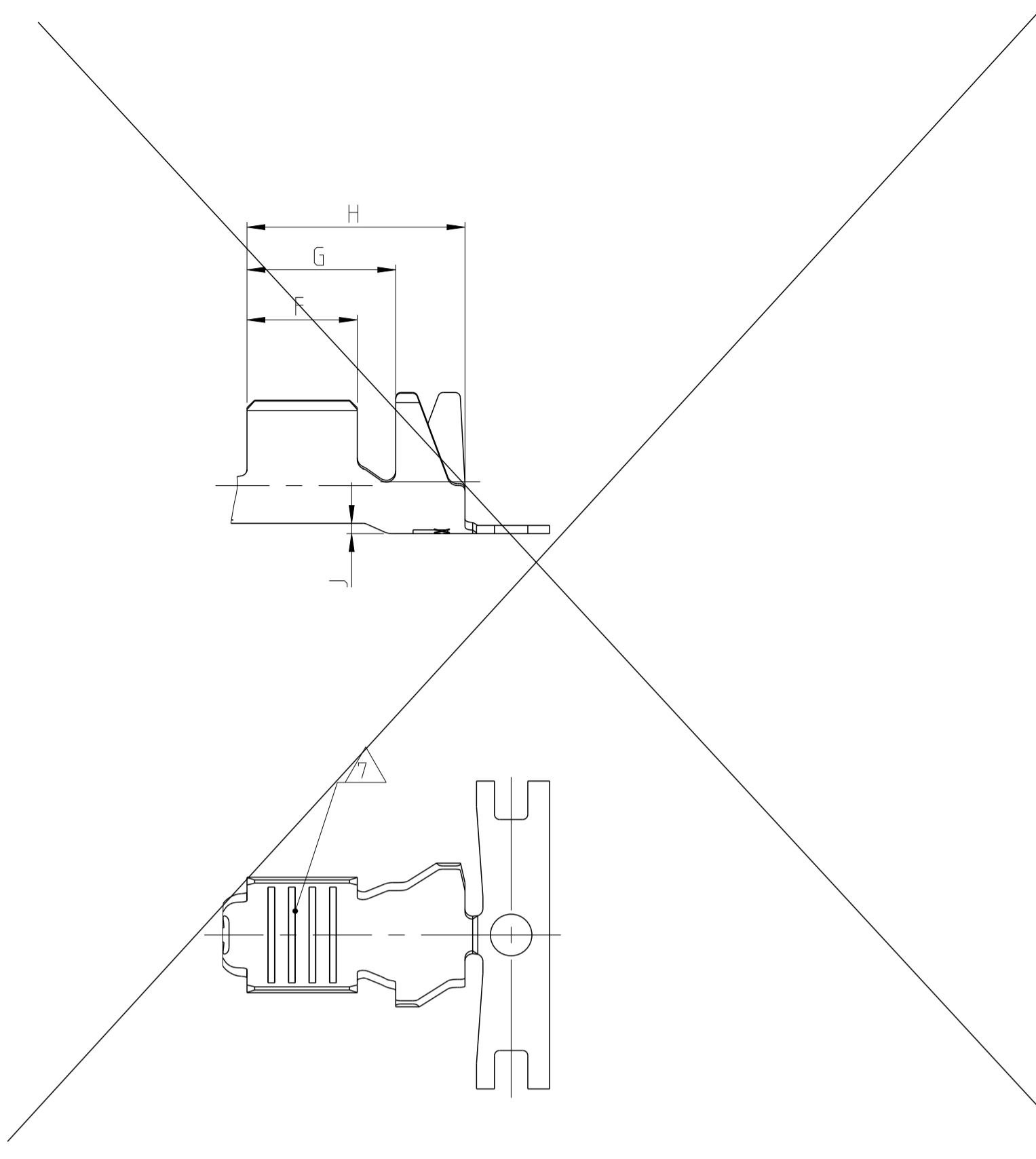


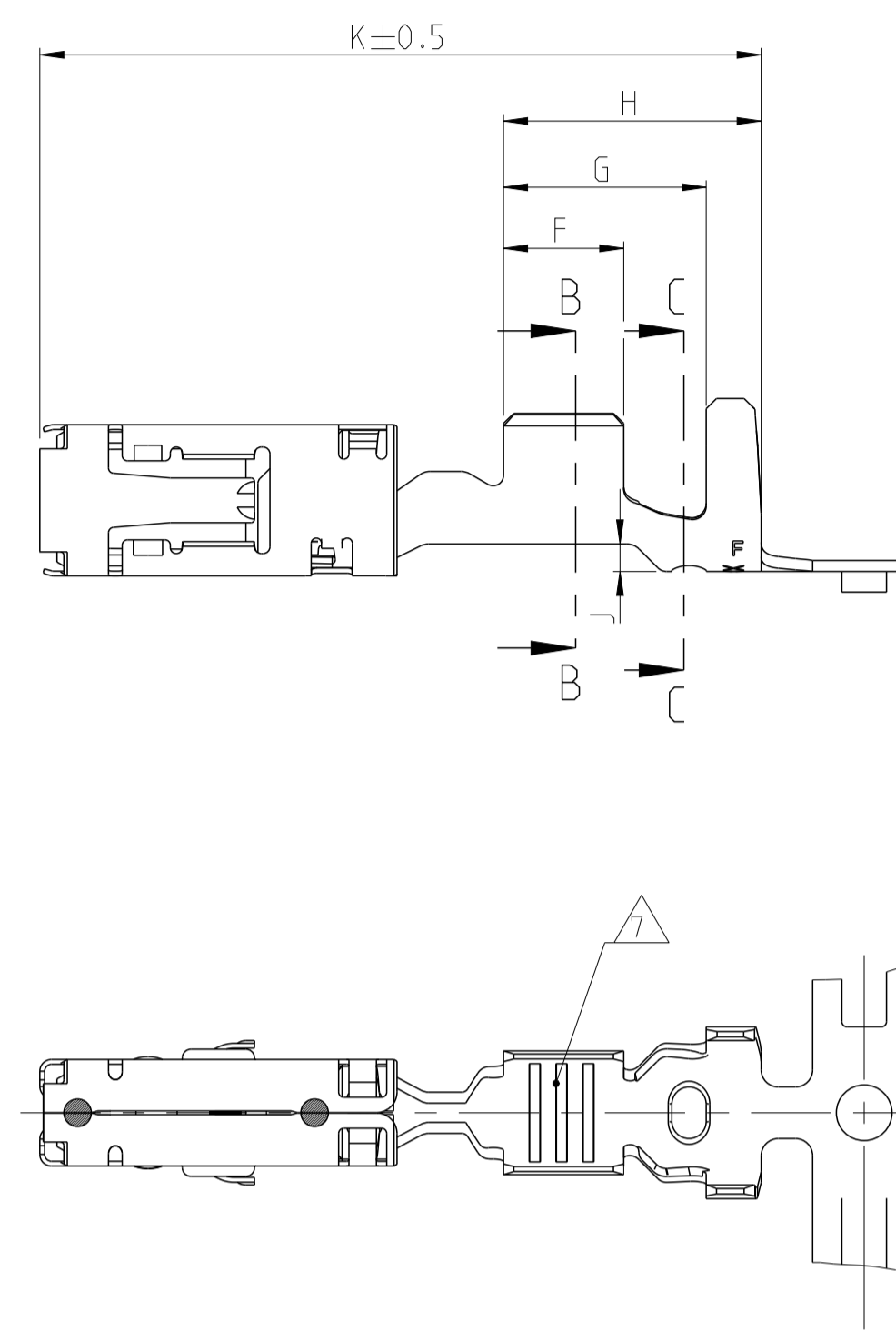
STANDARD CRIMP



ONLY FOR WIRE SIZE RANGE 4mm²



SINGLE WIRE SEAL



REVISIONS				
P.	LTN	DESCRIPTION	DATE	APVD
A		INITIAL RELEASE	23NOV2022	S.D W.Z
A1		RIVISE	12JAN2023	S.D W.Z

- 1 MATING PART SEE INTERFACE DRAWING
TE-NO.: 114-18230-002
- 2 ONLY FOR FLR-WIRE SEE DIN 7551,PART 6
- 3 SURFACE:
- PRE TIN PLATED 1 TO 3 µm
- GOLD PLATED (ONLY CONTACT AREA)
- SILVER PLATED 3 TO 5 µm (ONLY CONTACT AREA)
- 4 GAUGE INSPECTION
- 5 DETAILS OF DESIGN ARE LEFT TO MANUFACTURER
- 6 ONLY GERMAN LANGUAGE VERSION SHALL BE BINDING
- 7 DIFFERENT SHAPE AND NUMBER OF SERRATIONS POSSIBLE
- 8 SILVER PLATED VERSION FOR INCREASED LIMIT TEMPERATURE
- 9 PN¹⁰ is Suzhou Version PN, similar with Global PN¹¹

VERSION	ORDER-NO. STRIP-FORM	BODY SPRING	MATERIAL	SURFACE	WIRE SIZE RANGE mm ²	CRIMP DIMENSIONS											WEIGHT g	SINGLE WIRE SEAL TE CONNECTIVITY NO.	DEAD END PLUG TE CONNECTIVITY NO.	APPLICATION TOOLS	SIMILAR WITH GLOBAL PN
						A	B	D _{DR}	C	E	D _{ISO}	F	G	H	J	K					
SINGLE WIRE SEAL	2434885-3	CUNISI X100CFN18-8	SILVER PLATED																967543-3		
	2434885-2		GOLD PLATED	1.5 - 2.5	3.6	3.8	1.7	5.0	5.0	3.5	3.5	5.9	7.5	0.8	21	0.55	828905-1	828922-1	967543-2		
	2434885-1		PRE TIN PLATED																	967543-1	
	2434922-2		GOLD PLATED	0.5 - 1.0	2.5	2.7	1.2	4.8	4.8	3.3	3	5.4	7	0.75	21	0.51	828904-1	828922-1	967542-2		
	2434922-1		PRE TIN PLATED																	967542-1	
	2435065-1		PRE TIN PLATED	0.35	2.1	2.1	0.8	4.5	4.5	3.2	2.5	4.9	6.5	0.75	21	0.49	828904-1	828922-1	967541-1		
STANDARD CRIMP	1-TBD-3	CUNISI X100CFN18-8	SILVER PLATED	4	4.5	4.8	2.3	5.6	5.5	3.4	4.3	5.8	8.5	0.4	22.1	0.60	-	-	TBD		
	TBD-1		PRE TIN PLATED	1.5 - 2.5	3.6	3.8	1.7	4.6	4.8	2.6	3.5	5.1	6.7	0.3	20.2	0.54	-	-	TBD		
	TBD-2		GOLD PLATED	0.5 - 1.0	2.5	2.7	1.2	3.3	3.5	1.8	3	4.6	6.2	0.2	20.2	0.49	-	-	TBD		
	TBD-1		PRE TIN PLATED																	TBD	

THIS DRAWING IS A CONTROLLED DOCUMENT.

DIMENSIONS: mm	TOLERANCES UNLESS OTHERWISE SPECIFIED: ±0.2	OWN S.DU CHK J.GU APVD W.ZHANG	DATE 23NOV2022 23NOV2022	NAME PRODUCT GROUP DRAWING FOR 2.8mm SENSOR FLAT CONTACT, TYPE I
MATERIAL	FINISH	SIZE 114-18144	WEIGHT	RESTRICTED TO

Customer Drawing SCALE 5:1 SHEET 1 OF 1 REV A1