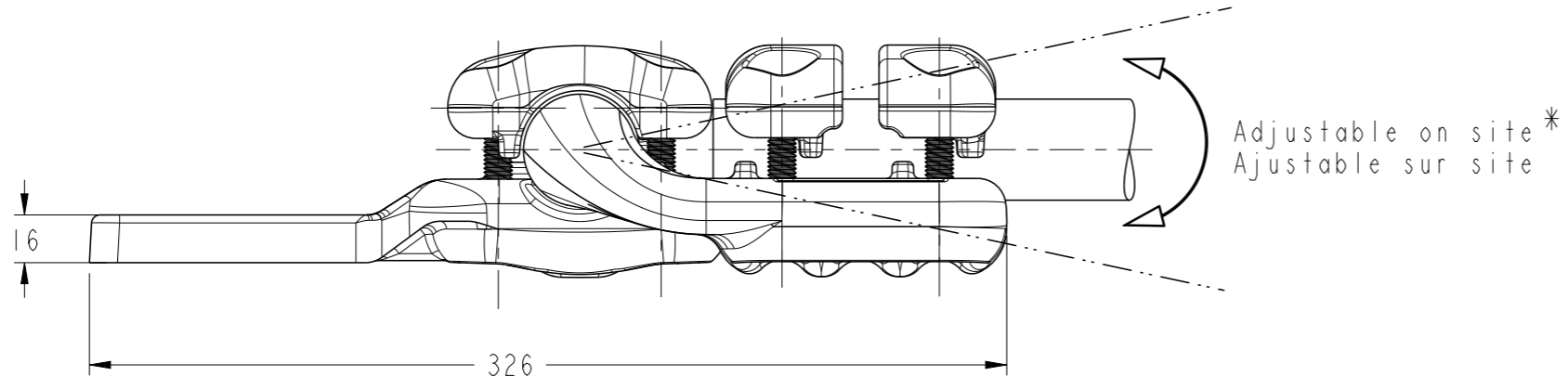
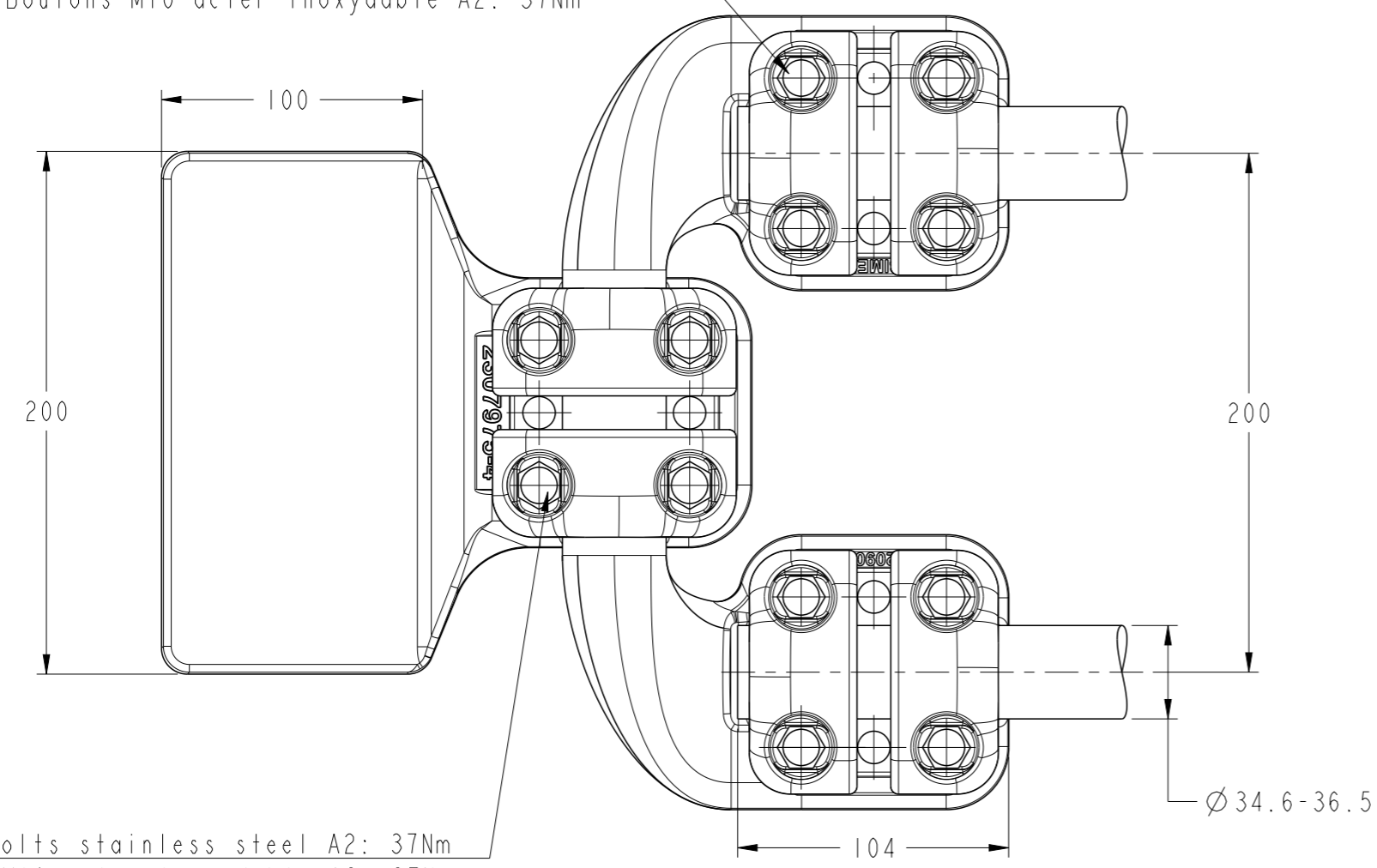
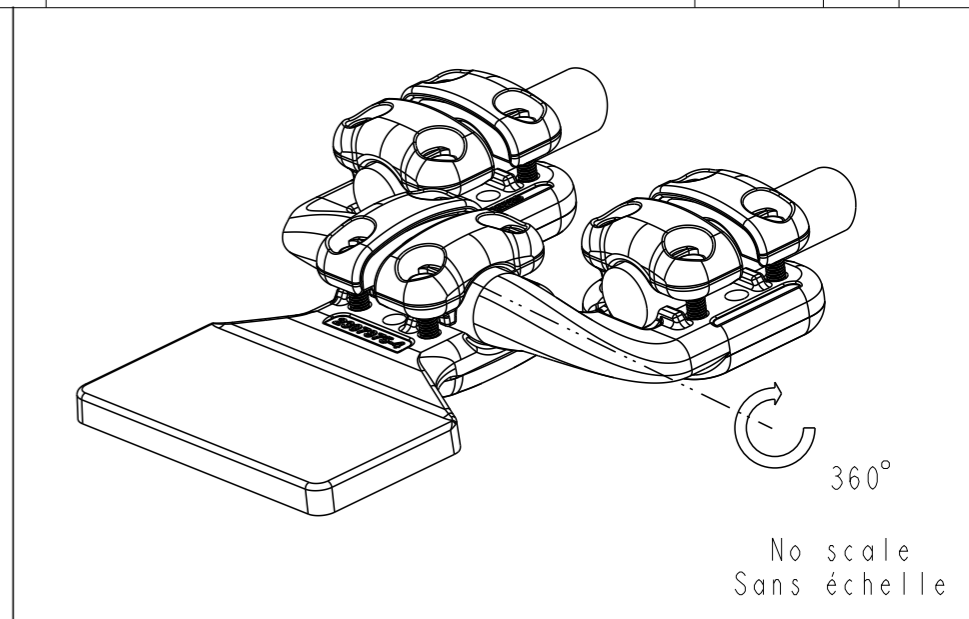


P	LTR	DESCRIPTION	DATE	DWN	APVD
	A	CREATION	02SEP2022	SM	CG



M10 Bolts stainless steel A2: 37Nm
Boulons M10 acier inoxydable A2: 37Nm



* M10 Bolts stainless steel A2: 37Nm
Boulons M10 acier inoxydable A2: 37Nm

*
In case of loosening contact surfaces must be cleaned and greased
Refer to installation instruction
En cas de desserrage, les surfaces de contact doivent être nettoyées et graissées
Se référer à la notice d'installation

THIS DRAWING IS A CONTROLLED DOCUMENT.		DWN SATYA.M 02SEP2022			
DIMENSIONS: mm		CHK M.PREVOT 02SEP2022			
TOLERANCES UNLESS OTHERWISE SPECIFIED:		APVD C.GLOMMEAU 02SEP2022	NAME		
		PRODUCT SPEC 108-69096-001	ADJUSTABLE CONNECTOR TO PALM		
MATERIAL		APPLICATION SPEC -	RACCORD AJUSTABLE SUR PLAGE		
		WEIGHT 5.25 kg	SIZE A3	CAGE CODE 00779	DRAWING NO C-2430294
		CUSTOMER DRAWING	RESTRICTED TO -	SCALE 2:5	SHEET 1 OF 1
					REV A