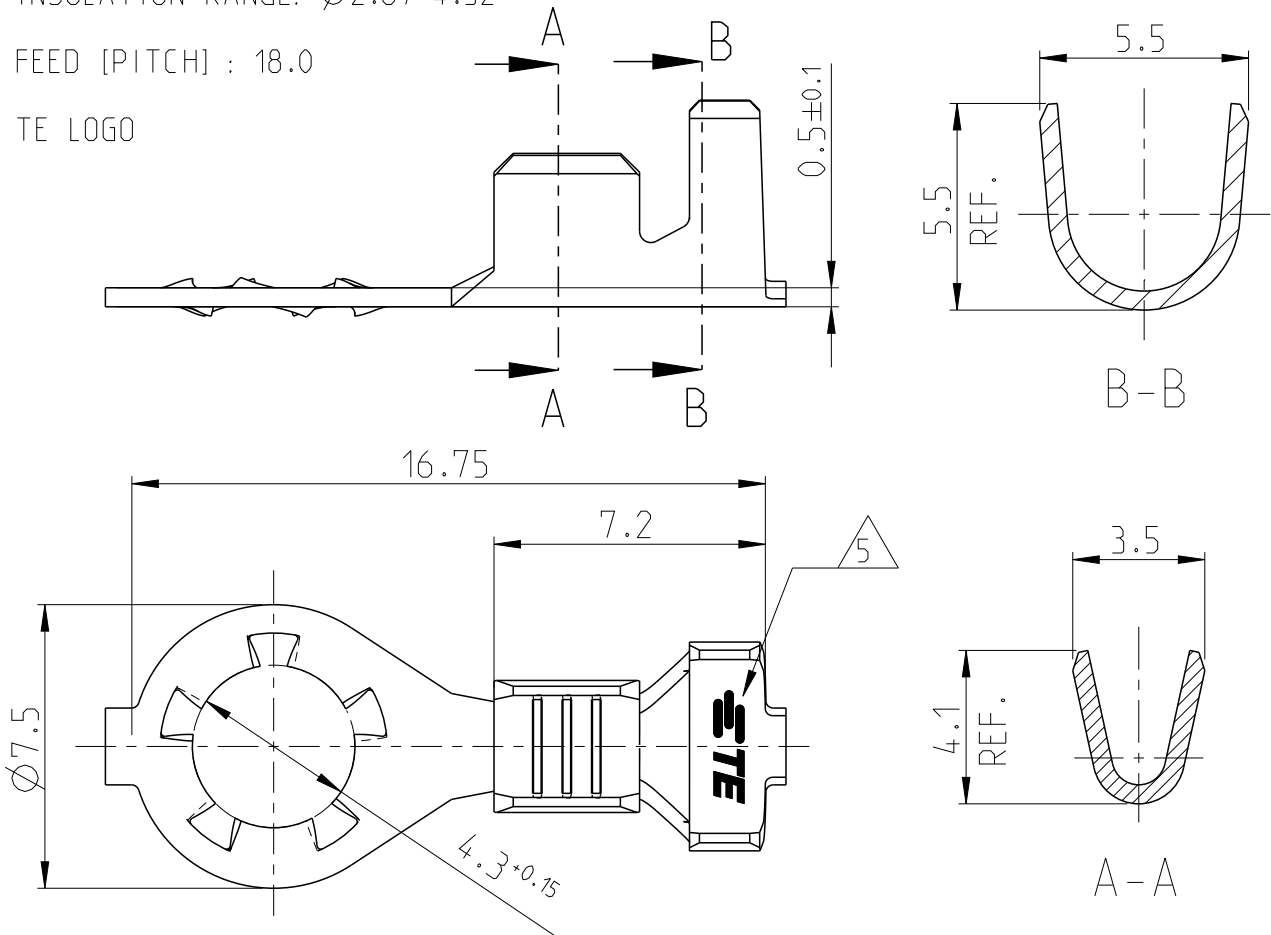


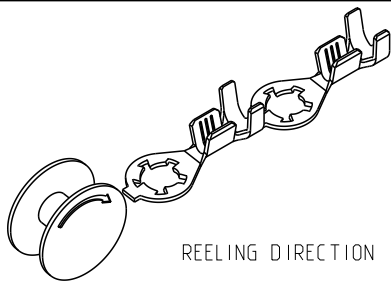
REVISIONS					
P	LTR	DESCRIPTION	DATE	DWN	APVD
	1	INITIAL RELEASE	20OCT2022	DB	EW
	A	REVISED PER ECN-23-192452	05JAN2023	SS	RE

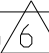
NOTES:

- 1 CONTINUOUS STRIP ON REELS
- 2 WIRE RANGE: 18-14 AWG [0.8-2.0 SQ.mm]
- 3 INSULATION RANGE: $\varnothing 2.67-4.32$
- 4 FEED [PITCH] : 18.0
- 5  TE LOGO


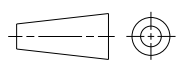


 PRELIMINARY- NOT FOR PRODUCTION



PRE-TIN	BRASS	2429931-3	
POST-TIN	BRASS	2429931-2	
NONE	BRASS	2429931-1	
FINISH	MATERIAL	PART NO	

© 2022 TE Connectivity. All Rights Reserved.

DIMENSIONS: mm	DWN DURVA B 09SEP22	MATERIAL SEE TABLE	FINISH SEE TABLE
TOLERANCES UNLESS OTHERWISE SPECIFIED:	CHK RAGHAVENDRA E 20OCT22	 TE Connectivity	
0 PLC ± 1 PLC ±0.2 2 PLC ±0.1 3 PLC ±0.05 4 PLC ±0.0001 ANGLES ±1°	APVD ERIC WANG 20OCT22		
	PRODUCT SPEC 108-106465	NAME ANTI-ROTATIONAL RING TERMINAL STUD DIA 4.3, M4	
	APPLICATION SPEC 114-160447	SIZE A 4	CAGE CODE 00779
	WEIGHT 0.4g Approx.	DRAWING NO C=2429931	RESTRICTED TO -
	CUSTOMER DRAWING	SCALE 5:1	SHEET 1 OF 1
			REV A