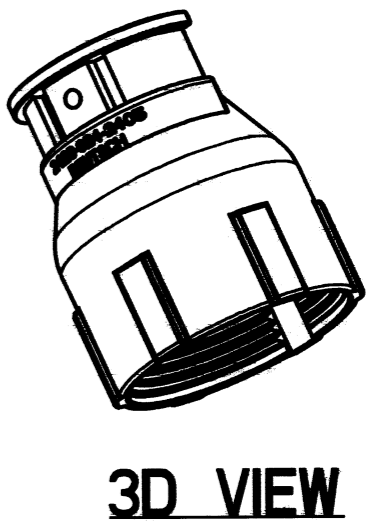
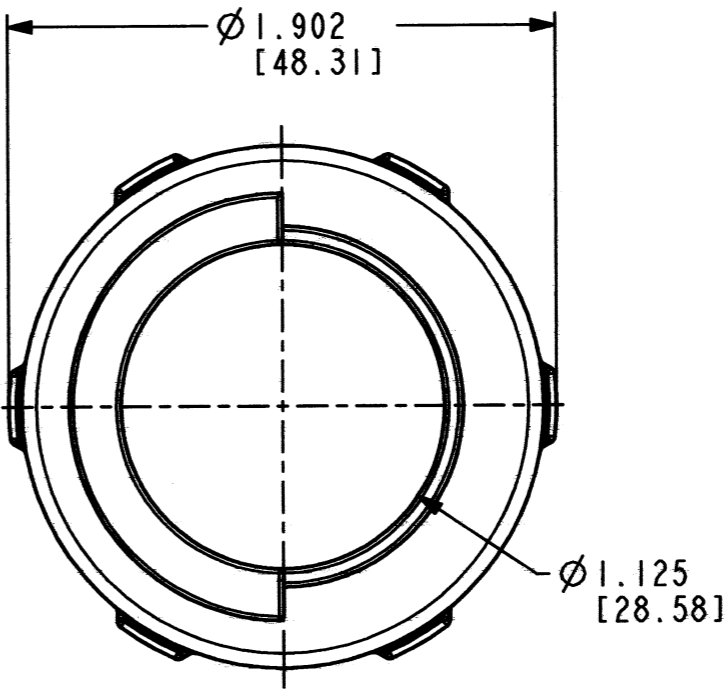
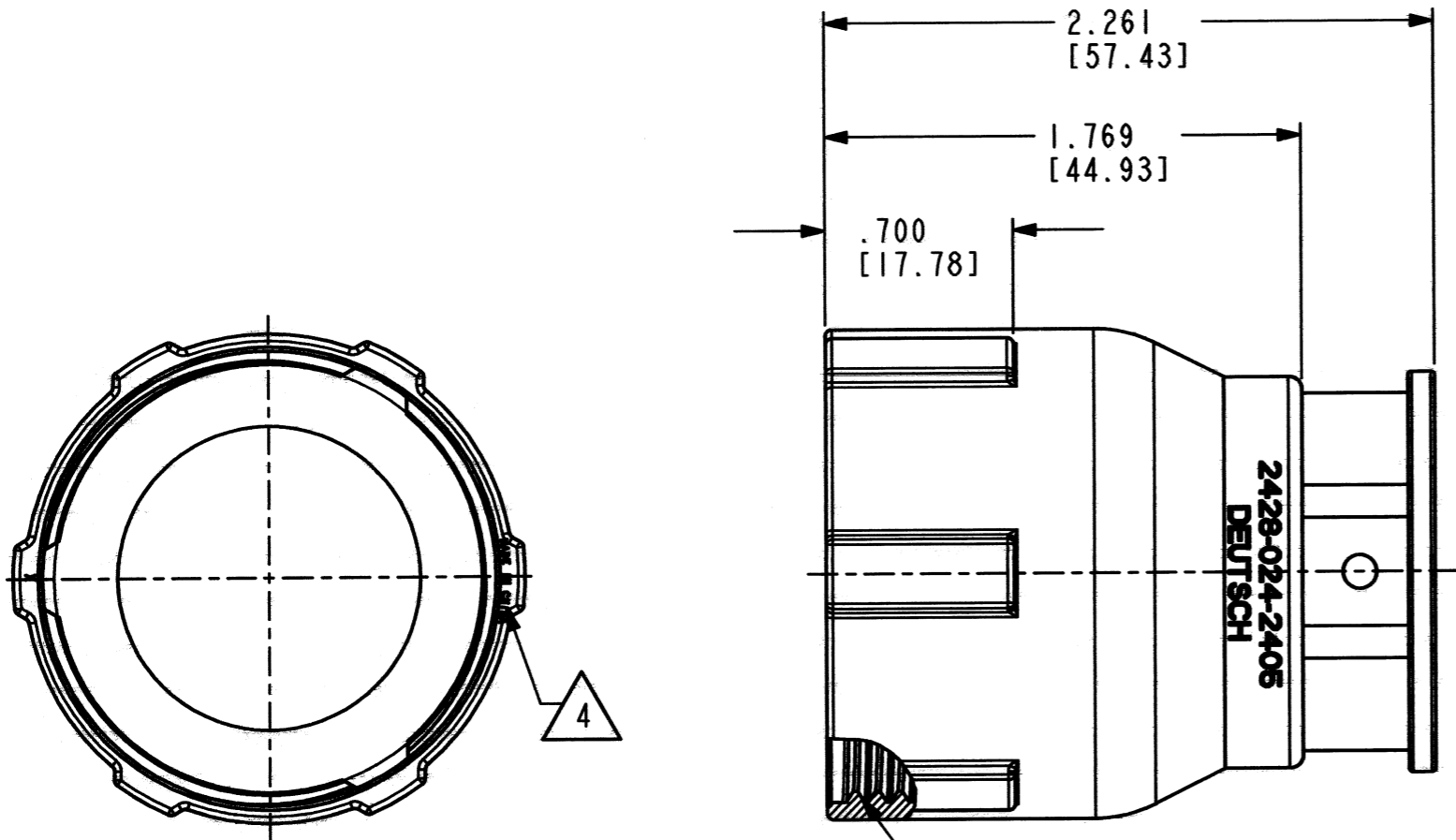


REV
NC 2428-024-2405

REVISIONS			
SYM	DESCRIPTION	DATE	APPROVED
NC	NEW RELEASE PER E.O. P21414	8/24/12	DM



(1 11/16-12UN-2B)

SECTION A-A

4. COUNTRY OF ORIGIN IF OTHER THAN USA.
EXAMPLE: MADE IN CHINA

3. MATERIAL: PLASTIC.


2. ALL DIMENSIONS ARE .025 [0.64] UNLESS OTHERWISE SPECIFIED.

NOTES: 1. ALL DIMENSIONS ARE IN INCHES [MILLIMETERS].

	SIGNATURE & DATE
DR	I. GRANTCHAROVA 7/13/12
CHK	<i>[Signature]</i> 8/23/12
PE	<i>[Signature]</i> 8/23/12
APPD	DM 8/24/12
SCALE	NONE

**BACKSHELL
HDP SIZE 24
-L024**

ENVELOPE

EP	MATL. CODE
 3850 INDUSTRIAL AVE. HEMET, CA 92545 DEUTSCH INDUSTRIAL	
B	2428-024-2405
DWG SIZE	CODE 11139 SHEET OF

