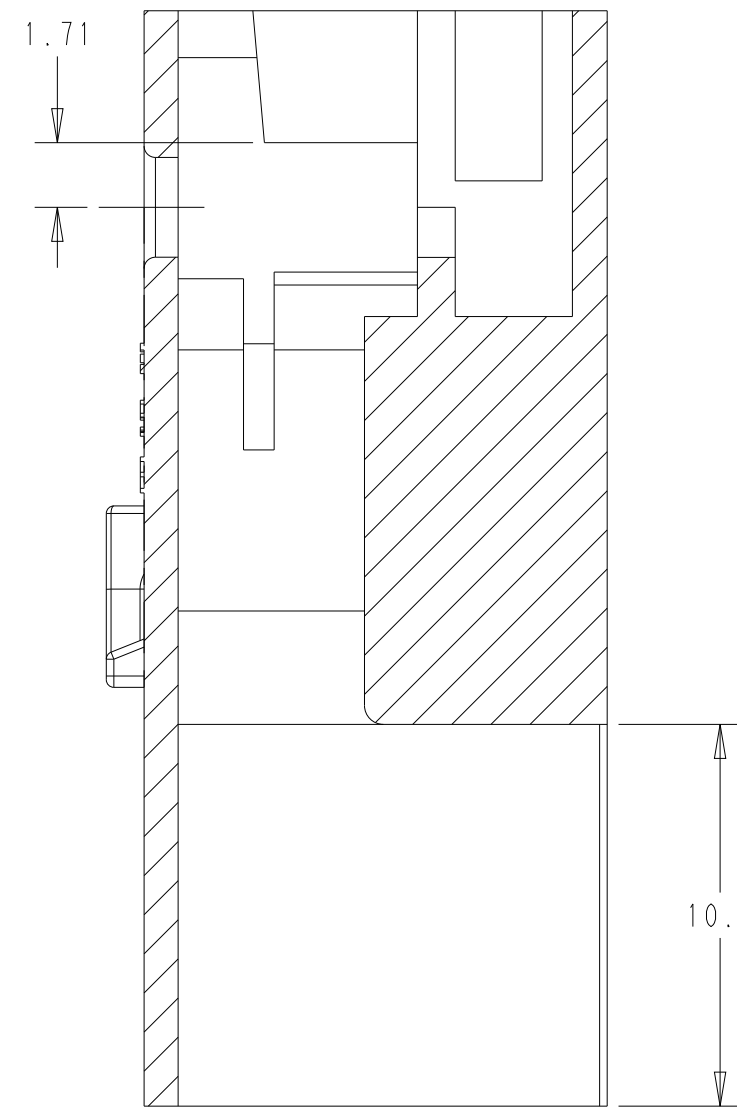
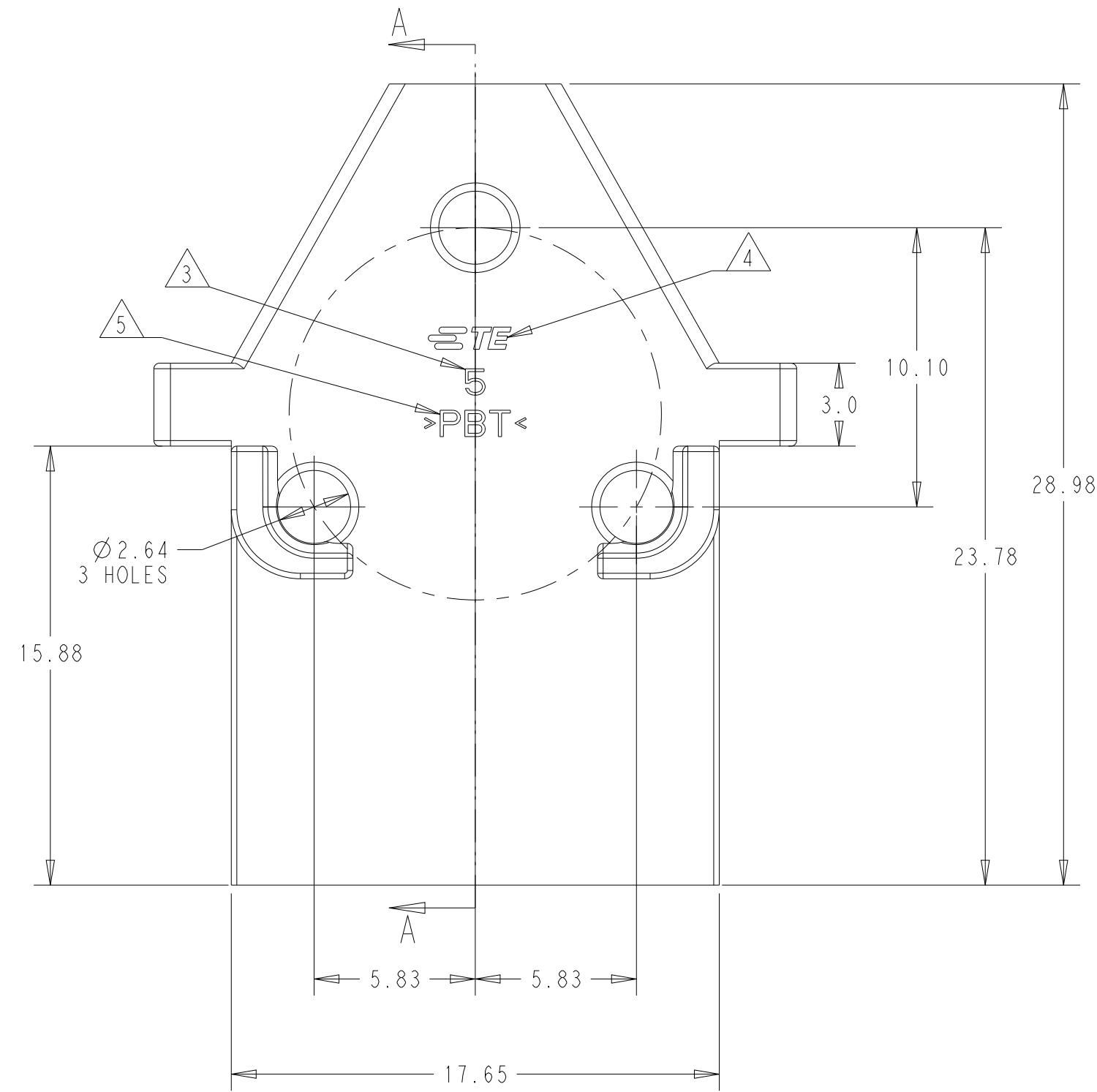
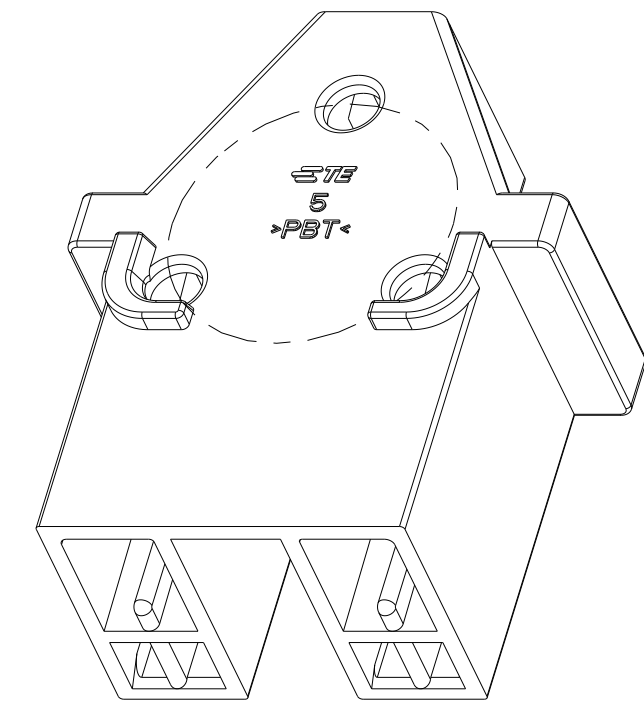


P	LTR	DESCRIPTION	DATE	DWN	APVD
A		INITIAL RELEASE	31MAY2023	FZ	TD
A1		REVISED PER ECN-23-223215	28JUL2023	FZ	TD



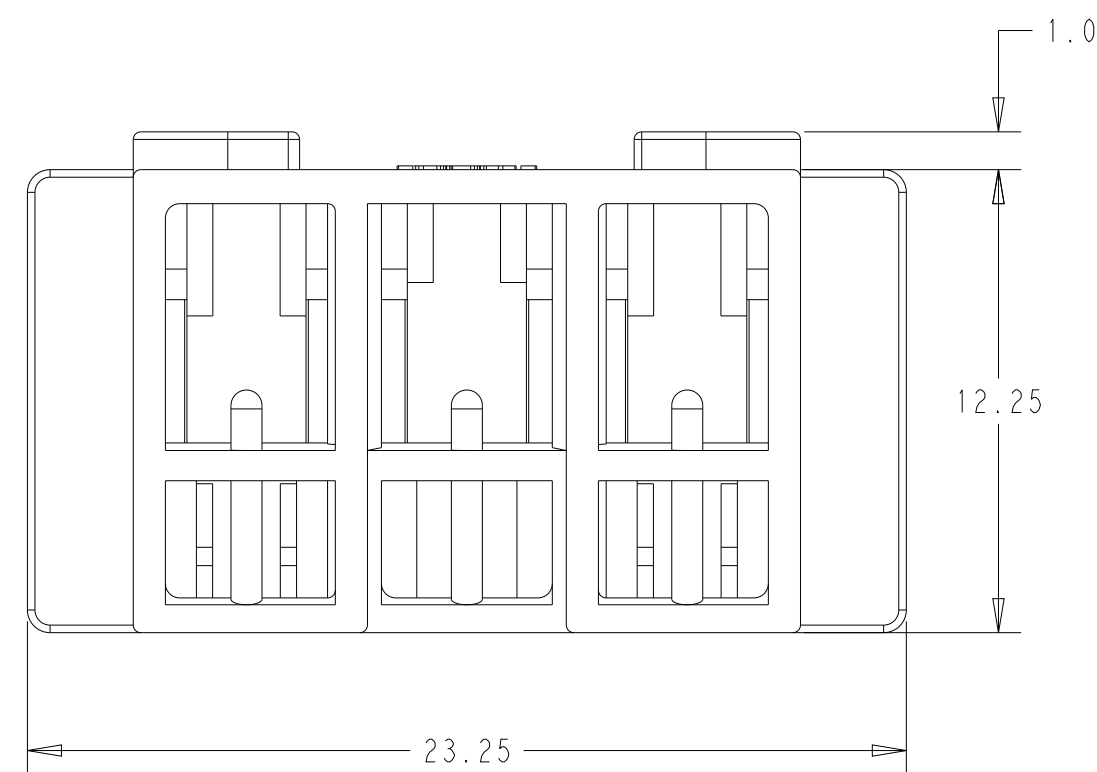
SECTION A-A



SCALE 3:1

NOTES:

1. ALL THREE CAVITIES ARE IDENTICAL
2. THE CAVITIES SUITABLE FOR CONTACT 2392959-2
3. MODEL CAVITY NO
4. TE CONNECTIVITY LOGO
5. MATERIAL MARK
6. PER IEC 60335-1 SECT.30,GWEPT 750C, NO FLAME OR Te-Ti ≤2S



NATURAL	PBT GLASS-FIBER	2426423-1	6
COLOR	MATERIAL	PART NO	

THIS DRAWING IS A CONTROLLED DOCUMENT.		DWN FELIX.Z 15SEP2022	TE Connectivity	
DIMENSIONS: mm		CHK JUSTIN.H 15SEP2022	NAME 2.29 DIA CLUSTER BLOCK HOUSING	
TOLERANCES UNLESS OTHERWISE SPECIFIED:		APVD TIM DING 15SEP2022	PRODUCT SPEC 108-160375	
0 PLC ±	1 PLC ±0.3	APPLICATION SPEC 114-5235	SIZE A2	CAGE CODE 00779
2 PLC ±0.3	3 PLC ±	WEIGHT -	DRAWING NO C-2426423	RESTRICTED TO -
4 PLC ±	ANGLES ±	CUSTOMER DRAWING	SCALE 5:1	SHEET 1 OF 1
MATERIAL SEE TABLE	FINISH SEE TABLE	REV A1		