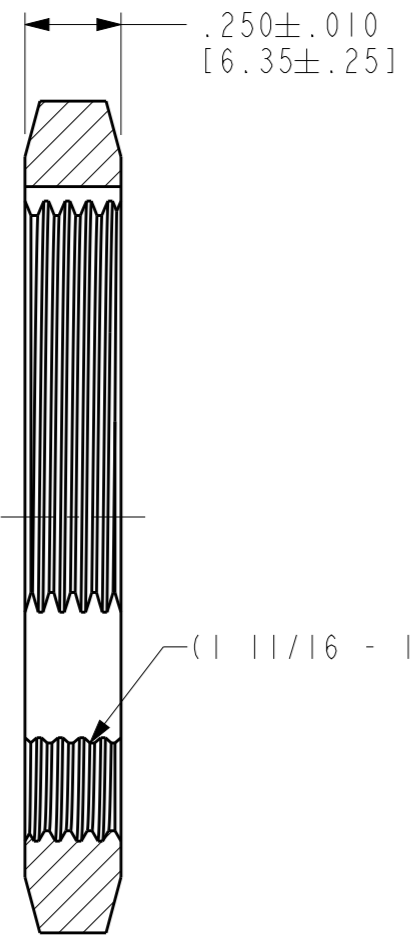
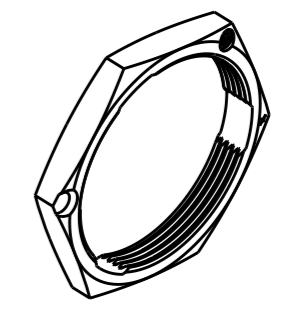
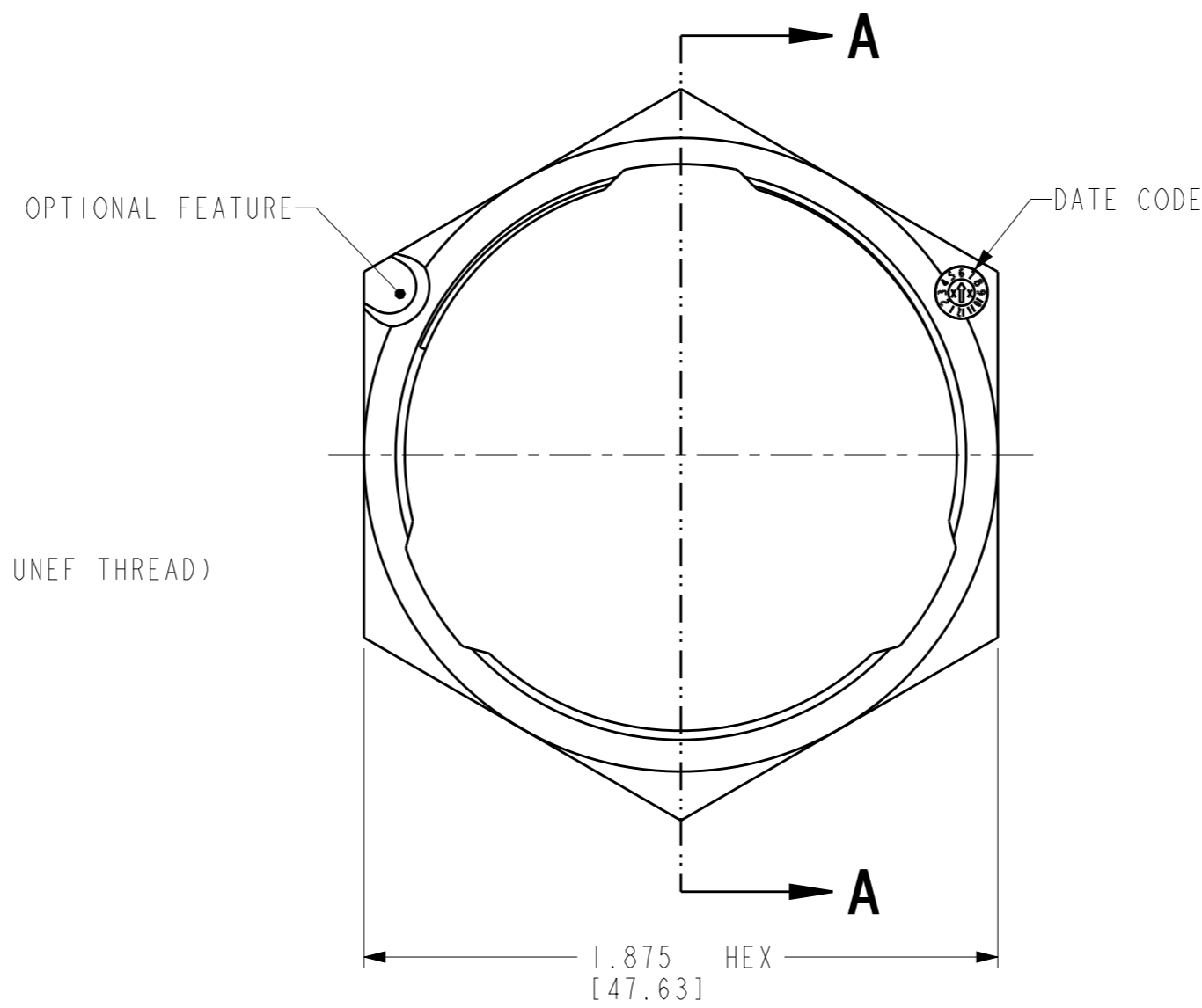


THIS DRAWING IS UNPUBLISHED
 RELEASED FOR PUBLICATION 2013
 © COPYRIGHT 2013 BY - TYCO ELECTRONICS ALL RIGHTS RESERVED.

LOC	DIST	REVISIONS			
P	LTR	DESCRIPTION	DATE	DWN	APVD
-	-	NC	NEW RELEASE PER E.O. P15588	3/26/98	- RDR
		A	REVISED PER E.O. P20847	7/14/11	- RDR
		B	REVISED PER E.O. P21251	2/24/12	- RDR
		C	REVISED PER ECO-13-018059	12/05/13	AM DM


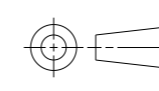


SECTION A-A



3D VIEW

- NOTES:
1. FOR APPLICATION CHARACTERISTICS SEE DRAWING 0425-021-0000.
 2. MATERIAL: PEI 30% GF, BLACK
 3. TO BE USED ON HDP SERIES SIZE 24.

THIS DRAWING IS A CONTROLLED DOCUMENT.		DWN A. MALAGON 20AUG2013	 TE Connectivity				
DIMENSIONS: INCHES [mm]		CHK I. GRANTCHAROVA 05DEC2013					
		APVD D. MEYER 05DEC2013	NAME PLASTIC PANEL NUT FOR RECEPTACLES SIZE 24 HDP SERIES				
TOLERANCES UNLESS OTHERWISE SPECIFIED: 0 PLC ±- 1 PLC ±- 2 PLC ±- 3 PLC ±.025 [0.63] 4 PLC ±- ANGLES ±0°30'0"		PRODUCT SPEC -	SIZE A3	CAGE CODE 4AFU8	DRAWING NO C-2411-001-2405	RESTRICTED TO -	
MATERIAL -		FINISH -	WEIGHT 5.02g	SCALE 2:1	SHEET 1	OF 1	REV C
CUSTOMER DRAWING							