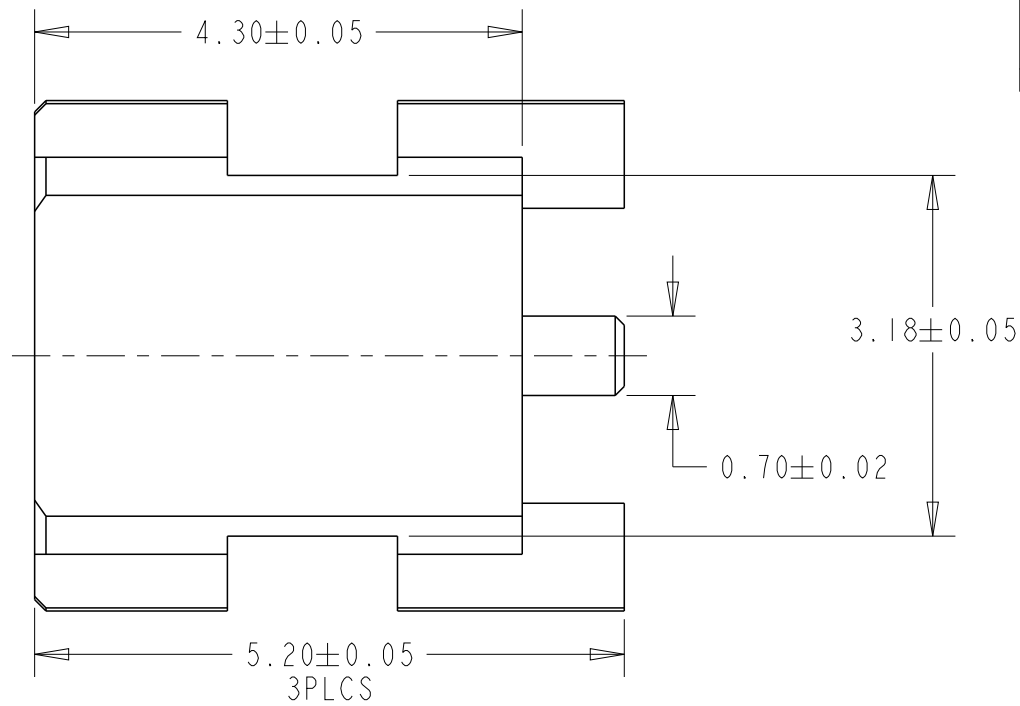
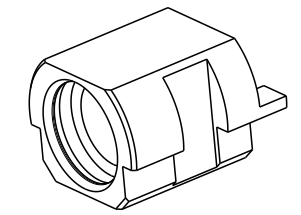
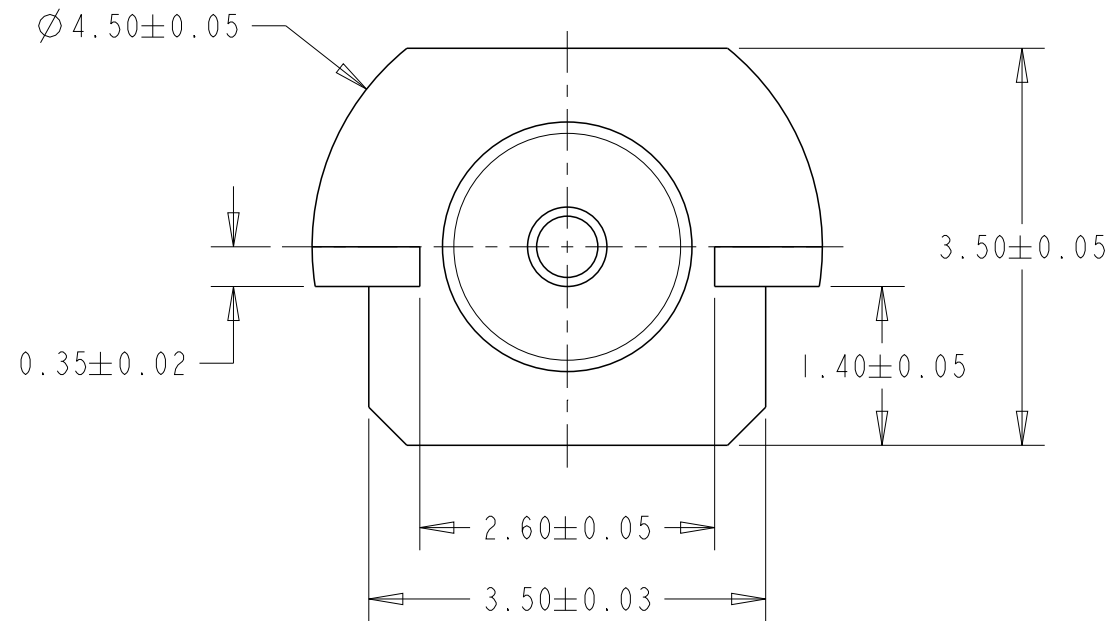
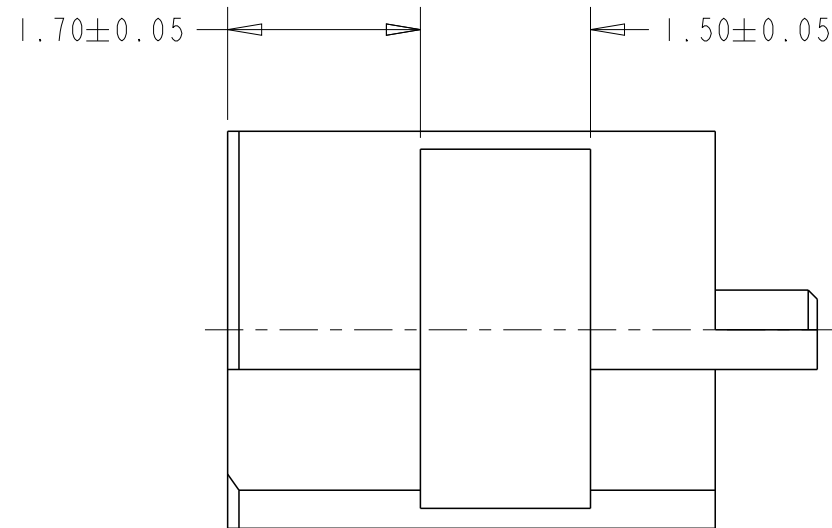


P	LTR	DESCRIPTION	DATE	DWN	APVD
	A	REVISED PER ECN-22-158649	13JUN2022	RZ	WK
	AI	REVISED PER ECR-23-166588	28FEB2023	ED	WH



QTY REQD PER ASSY	REVISION OF EACH ASSY NO(WHEN BLANK, USE DWG REVISION)	PARTS LIST
	1 /	PTFE INSULATOR 3
	1 Au 0.03um MIN	BeCu CENTER CONTACT 2
	1 Au 0.03um MIN	BRASS BODY 1
	-1 PLATING	MATERIAL DESCRIPTION ITEM

ELECTRICAL	MECHANICAL	ENVIRONMENTAL
IMPEDANCE (OHM) 50	INTERFACE DIMENSION MIL-STD-348B BS 122340: 2002	TEMPERATURE RANGE -55°C TO +155°C
FREQUENCY RANGE (GHZ) DC TO 6	MATING CHARACTERISTICS INSERTION (MAX N) 5 WITHDRAWAL (MIN N) 0.28	THERMAL SHOCK MIL-STD-202, METH.107, COND.B
VOLTAGE RATING (PEAK) SEA LEVEL 170 VRMS	FORCE TO ENGAGE AND DISENGAGE ENGAGE 15N MAX DISENGAGE 6N MIN	CORROSION MIL-STD-202, METH.101, COND.B
INSULATION RESISTANCE (MIN) 1000 MOHMS	CENTER CONTACT CAPTIVATION AXIAL(N) 10 RADIAL(N.m) N/A	VIBRATION MIL-STD-202, METH.204, COND.B
CONTACT RESISTANCE (MILLIOHMS MAX) CENTER CONTACT 5.0 OUTER CONTACT 2.0	CABLE RETENTION AXIAL(N) N/A RADIAL(N.m) N/A	SHOCK MIL-STD-202, METH.213, COND.A
DIELECTRIC WITHSTAND VOLTAGE (MIN) 500 VRMS	MATING CYCLES 500 CYCLES MIN	MOISTURE RESISTANCE MIL-STD-202, METH.106.
INSERTION LOSS 0.06*SQRT(F) dB		ROSH COMPLIANT
VSWR 1.25 MAX		
RF LEAKAGE -60dB MIN		

THIS DRAWING IS A CONTROLLED DOCUMENT.

DIMENSIONS:	TOLERANCES UNLESS OTHERWISE SPECIFIED:
mm	
	0 PLC ±-
	1 PLC ±0.1
	2 PLC ±0.01
	3 PLC ±0.001
	4 PLC ±0.0001
	ANGLES ±5
MATERIAL	FINISH
-	-
-	-

DWN	10SEP2019
RANDY Z	
CHK	10SEP2019
ERIC D	
APVD	10SEP2019
WENKE H	
PRODUCT SPEC	
APPLICATION SPEC	
WEIGHT	
CUSTOMER DRAWING	

<b>STE</b> TE Connectivity	
NAME MMCX JACK ST EDGE MOUNT RECEPTACLE	
SIZE	RESTRICTED TO
A3	-
CAGE CODE	SCALE
00779	15:1
DRAWING NO	SHEET
C-2409299	1 OF 1
REV	APVD
AI	WH