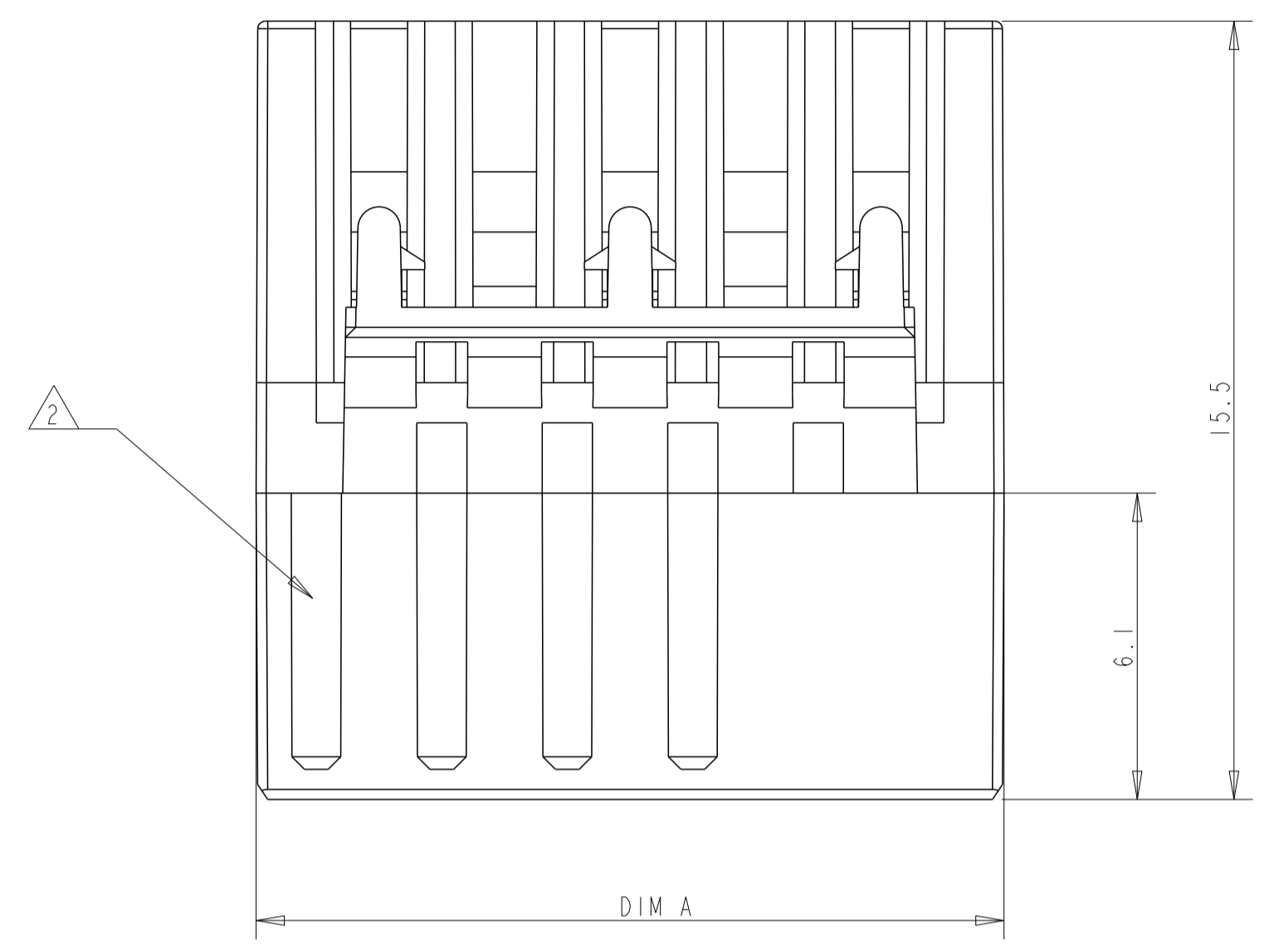
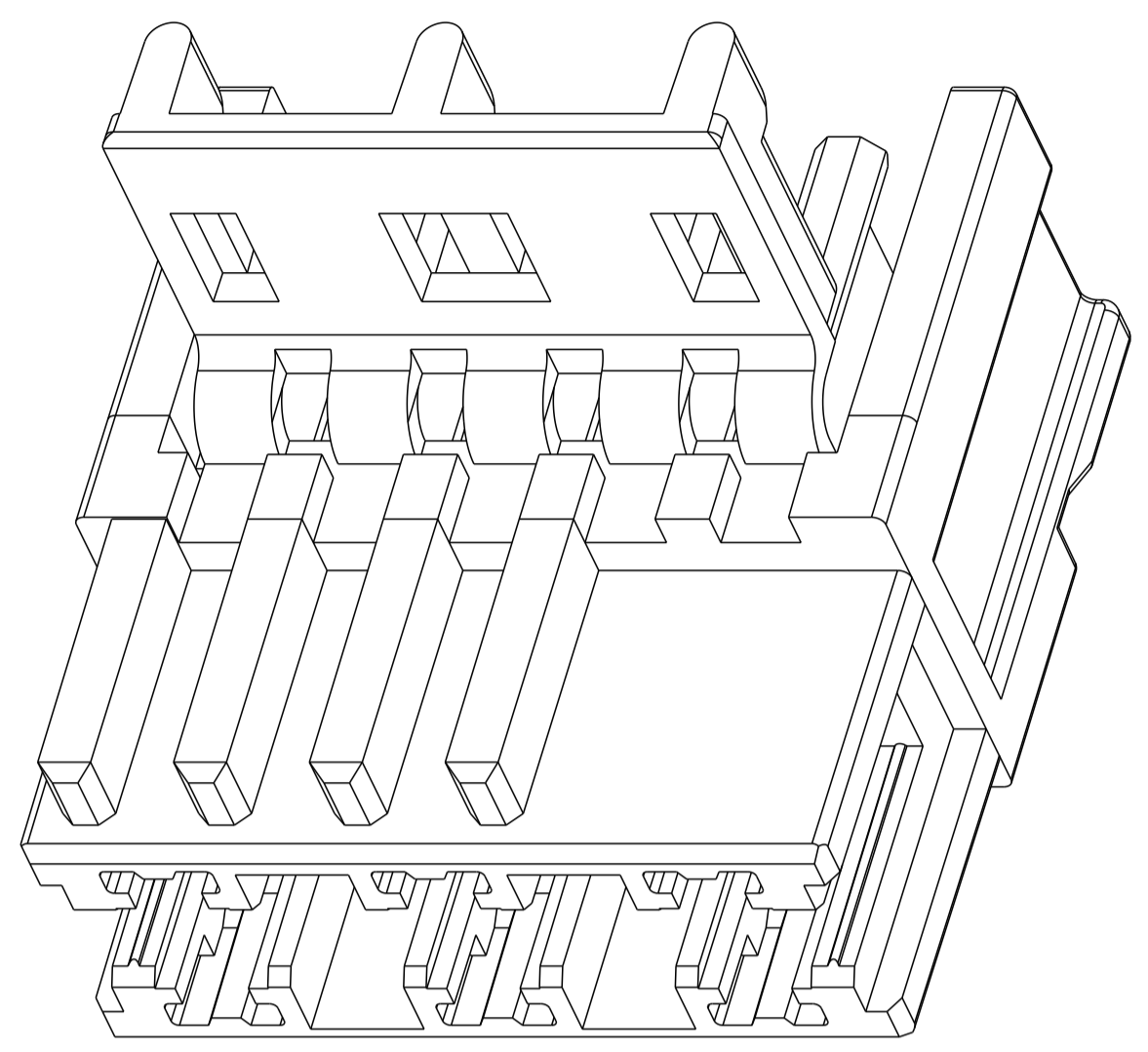
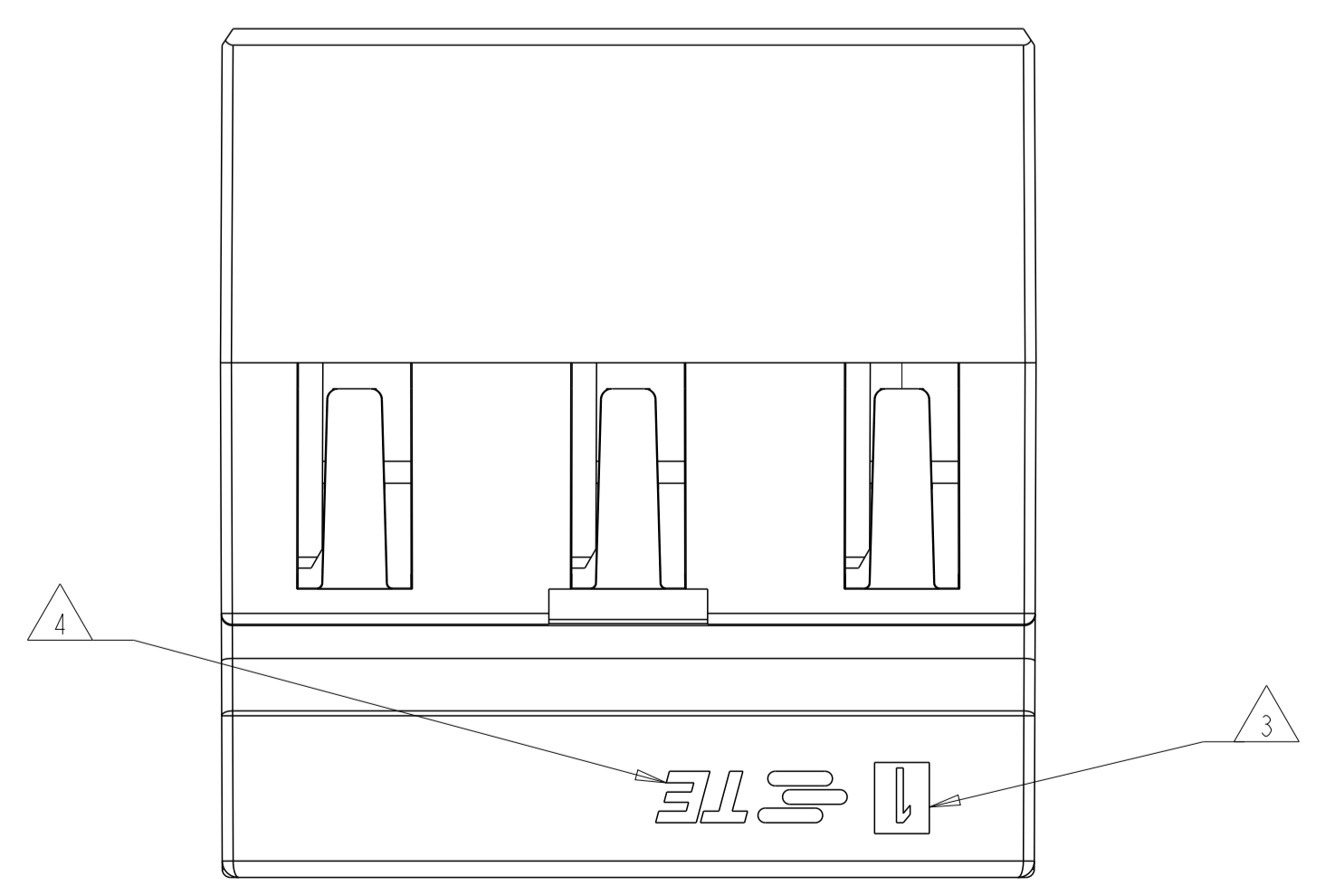
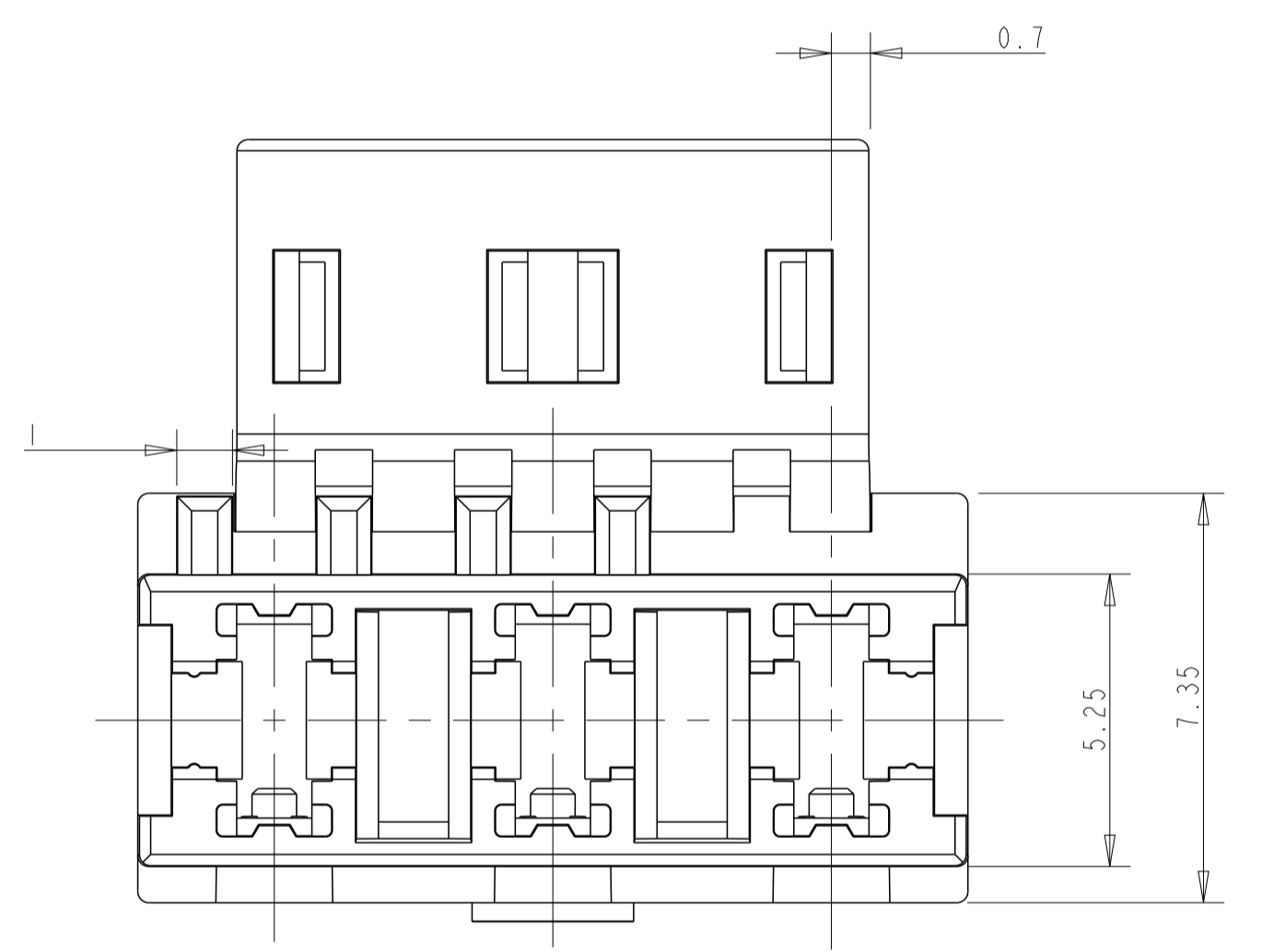
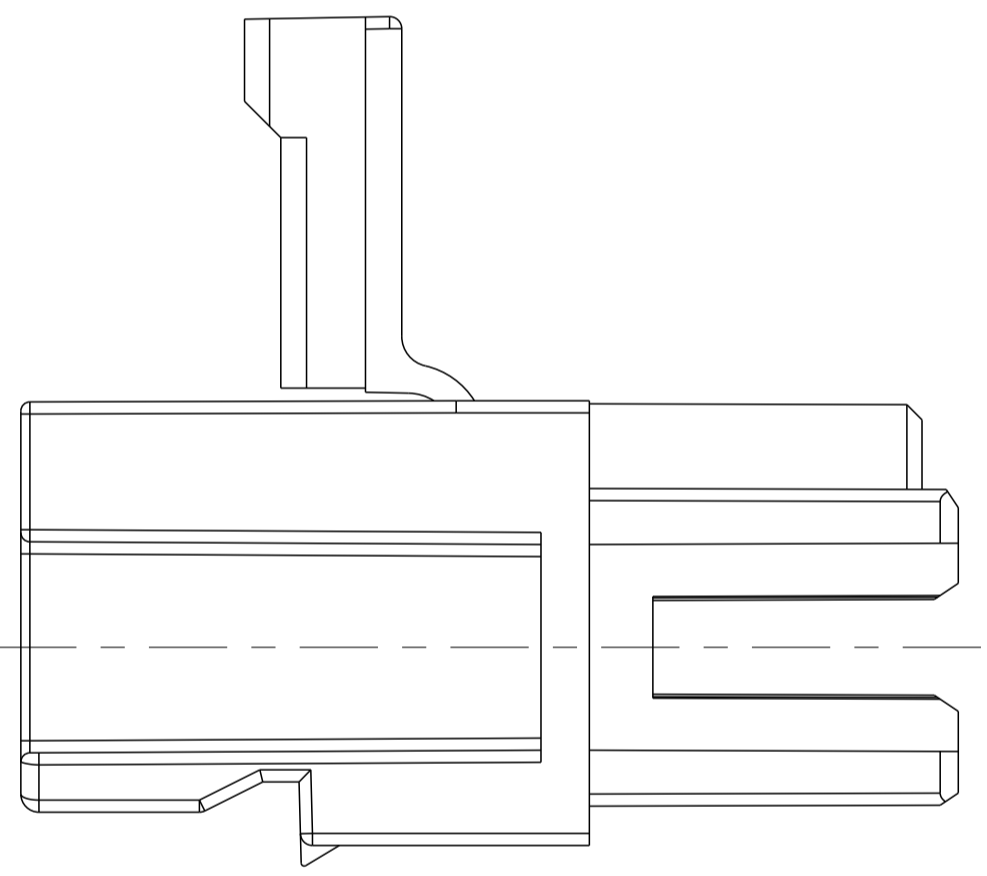


REVISIONS				
P	LTN	DESCRIPTION	DATE	APVD
I		INITIAL RELEASE	25AUG22	SM WW
A		ECN-22-187765	02DEC2022	SM FL
A1		ECR-23-191968	21NOV2023	SM FL



- 1 MATERIAL: PA UL94-V0 GWT 750°C NF
- 2 KEYING RIB
- 3 CONTACT CAVITY NO.
- 4 AREA FOR TE LOGO
- 5 PRELIMINARY PART- THIS PRODUCT HAS NOT COMPLETED QUALITICATION TESTING
- 6 DESIGNATED FOR USE WITH CONTACT P/N 2391430-2

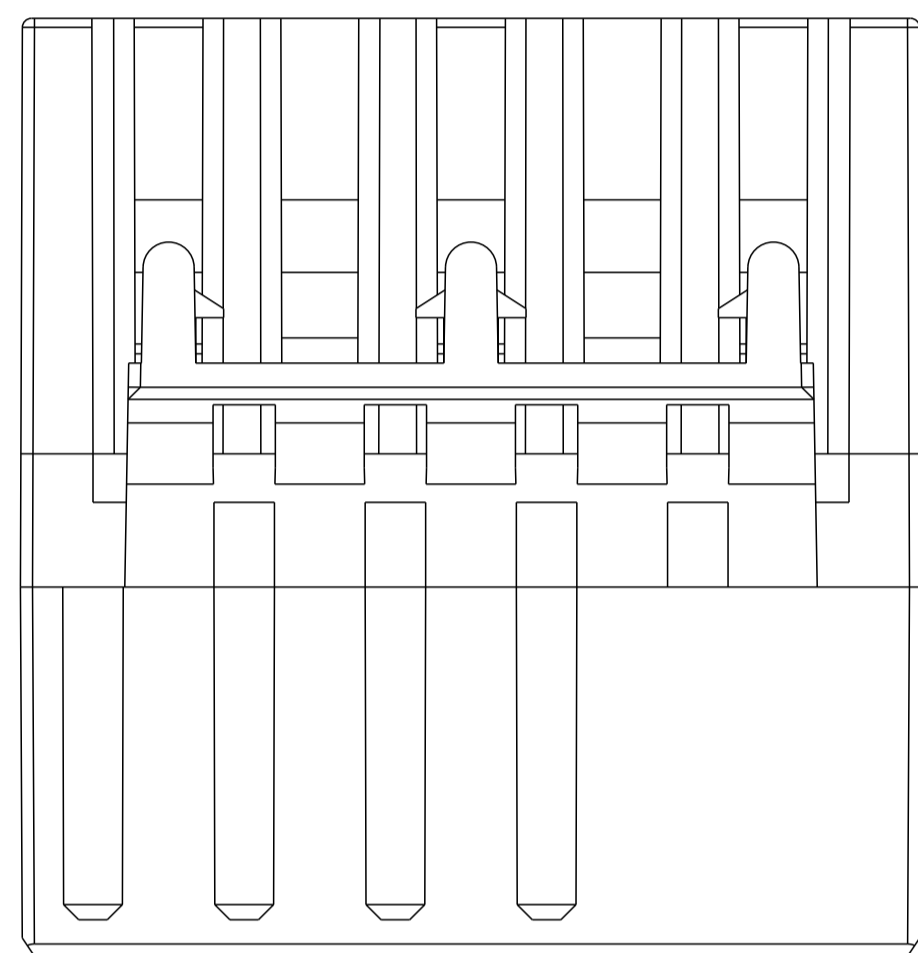


NATURAL	24.9	5	2404460-5
	14.9	3	2404460-3
COLOR	DIM A	POS.	PART NO.

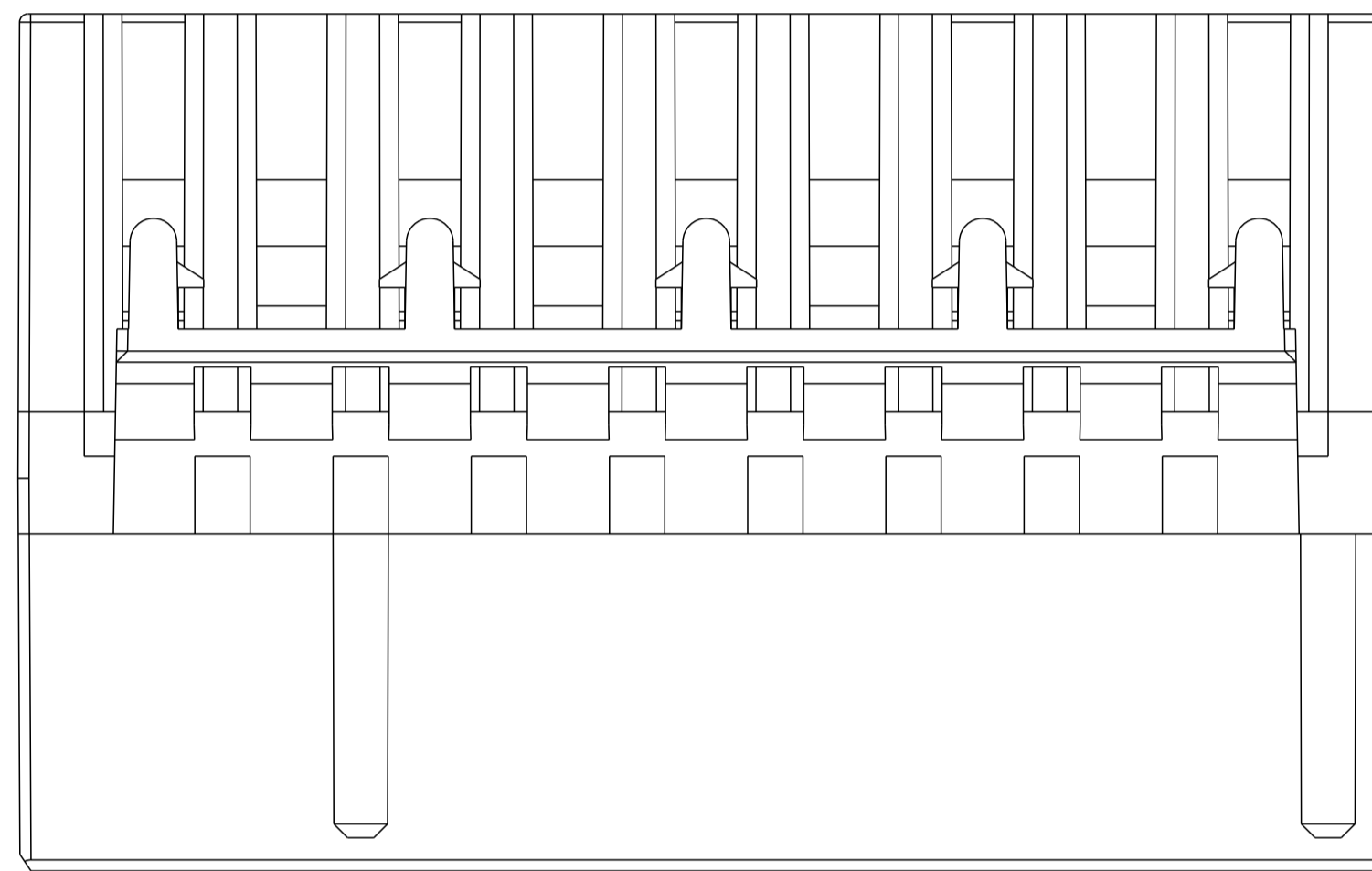
THIS DRAWING IS A CONTROLLED DOCUMENT.		DWN: SUBHASH M 25AUG2022	TE Connectivity	
DIMENSIONS:		CHK: WINTER WANG 25AUG2022		
TOLERANCES UNLESS OTHERWISE SPECIFIED:		APVD: F. LUPO 25AUG2022		
mm	0 PLC ±	PRODUCT SPEC	NAME: HSG, RAST 2.5 STD TIMER	
	1 PLC ±0.2	108-160359	SIZE: A 00779 C=2404460	
	2 PLC ±0.2	APPLICATION SPEC	SCALE: 8:1 SHEET 1 OF 2 REV: A1	
	3 PLC ±	114-160192	RESTRICTED TO: -	
	4 PLC ±	WEIGHT: -	CUSTOMER DRAWING	
	ANGLES ±			
	FINISH -			

REVISIONS				
P	LTN	DESCRIPTION	DATE	APVD
		SEE SHEET 1		

KEYING PLAN



2404460-3



2404460-5

THIS DRAWING IS A CONTROLLED DOCUMENT.		OWN: SUBHASH M 25AUG2022	
DIMENSIONS:		CHK: WINTER WANG 25AUG2022	
mm		APVD: F. LUPO 25AUG2022	
TOLERANCES UNLESS OTHERWISE SPECIFIED: 0 PLC ± 1 PLC ±0.2 2 PLC ±0.2 3 PLC ± 4 PLC ± ANGLES ± FINISH -		NAME: HSG RAST 2.5 STD TIMER	RESTRICTED TO: -
MATERIAL: -		PRODUCT SPEC: 108-160359	SIZE: A
FINISH: -		APPLICATION SPEC: 114-160192	CAGE CODE: 00779
		WEIGHT: -	DRAWING NO: 2404460
		CUSTOMER DRAWING	SCALE: 8:1
			SHEET 2 OF 2
			REV: A1