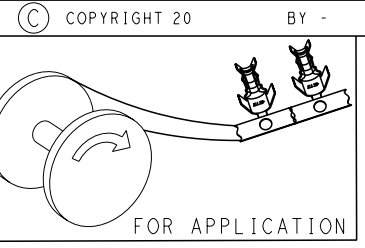
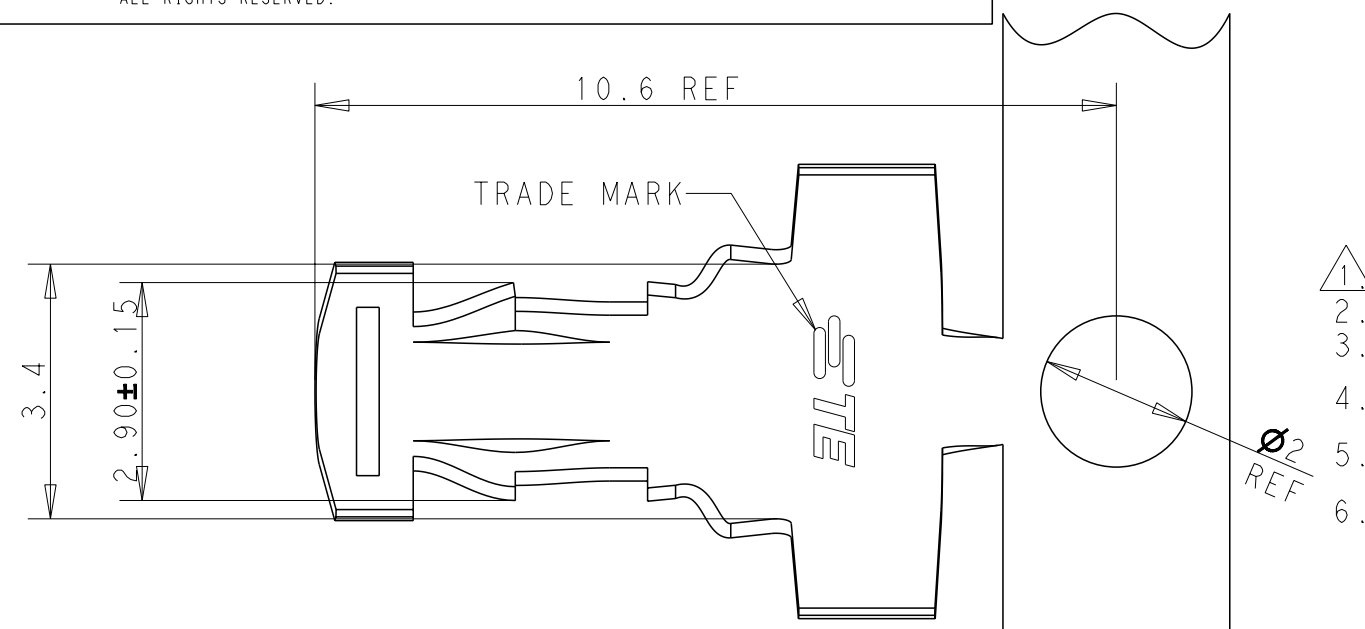


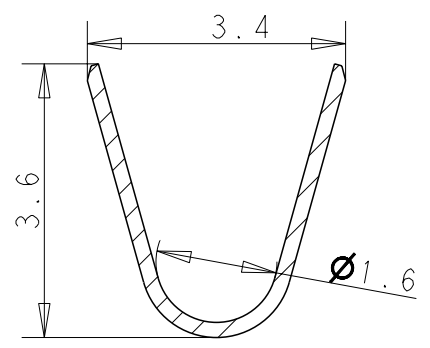
THIS DRAWING IS UNPUBLISHED. RELEASED FOR PUBLICATION 20 ALL RIGHTS RESERVED.



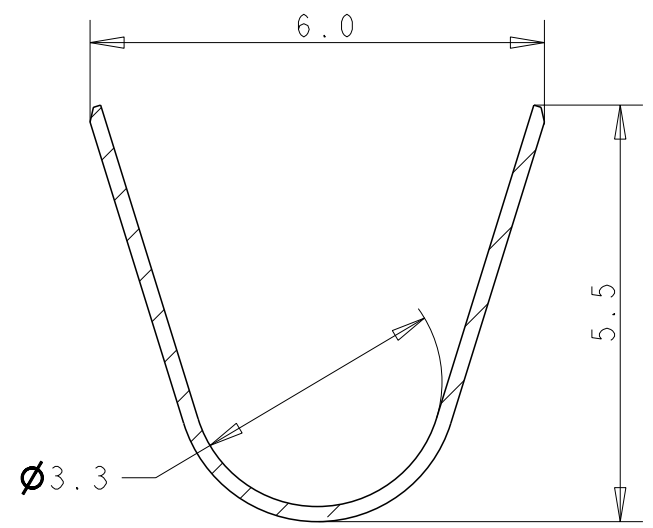
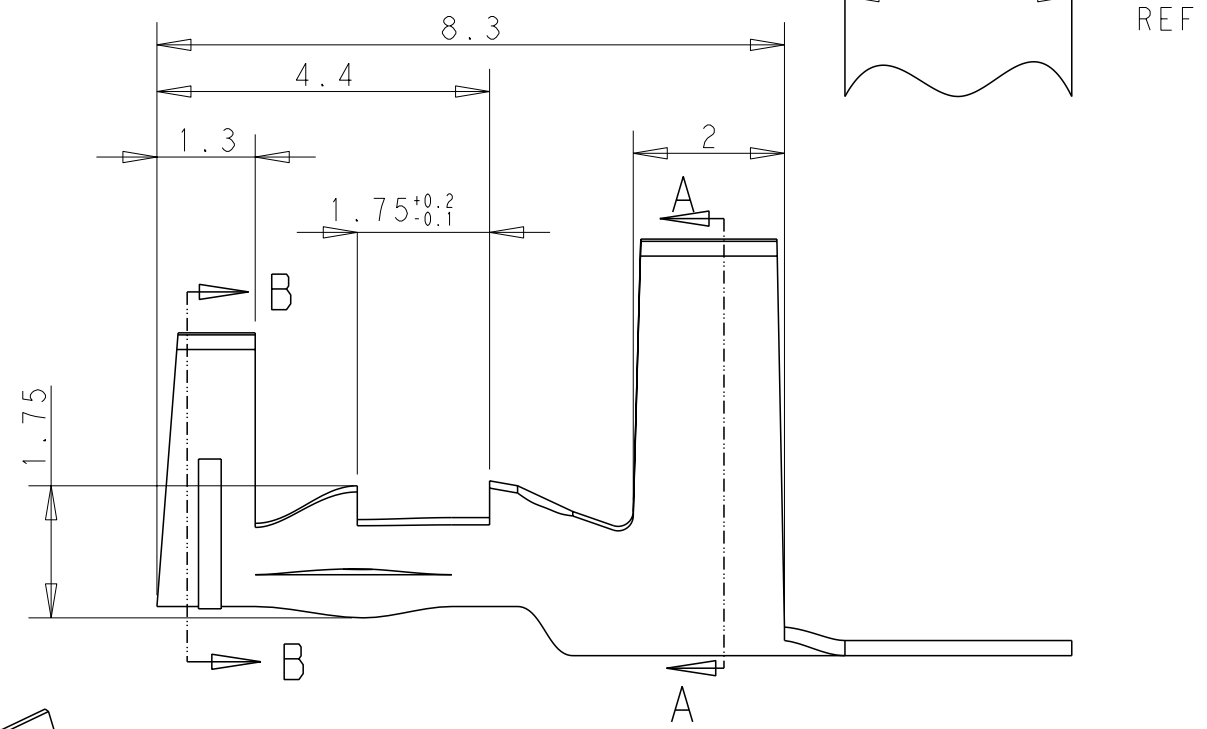
P	LTR	DESCRIPTION	DATE	DWN	APVD
	A	INITIAL RELEASE	20FEB2023	M.G	D.Z
	A1	REVISED PER ECR-23-184862	22AUG2023	M.G	D.Z



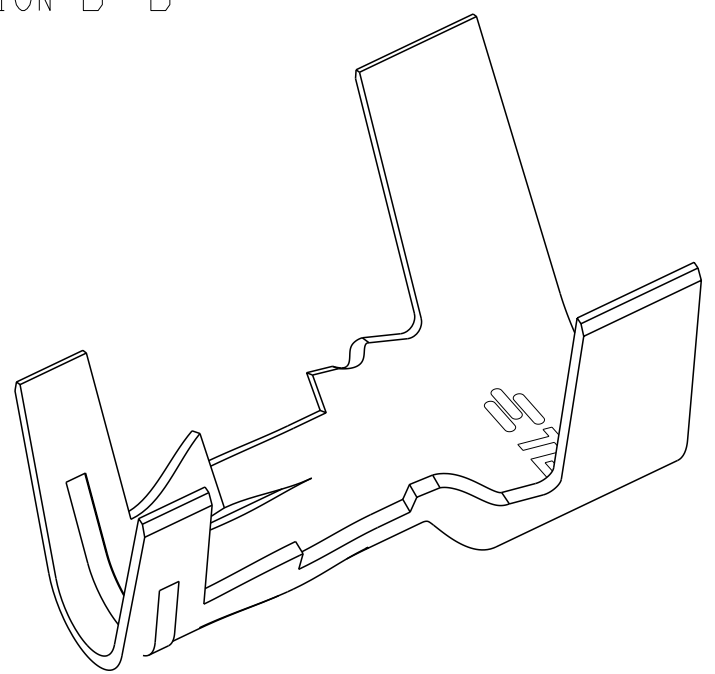
- 1. MATERIAL: COPPER ALLOY, PER TIN
- 2. PACKAGE: REEL
- 3. APPLICATION FEED PITCH: 14MM
- 4. APPLICABLE WIRE: AWG14, INS DIA Ø3.4-3.8MM
- 5. RECOMMEND PCB HOLE DIA: Ø2.5-2.6MM
- 6. RECOMMEND PCB THICKNESS: Ø1.6±0.05MM



SECTION B - B



SECTION A - A



2700PC/BOX	2393227-1
PACKAGE QUANTITY	PART NUMBER

THIS DRAWING IS A CONTROLLED DOCUMENT.		DWN	M. GAO	26.09.2021	 TE Connectivity	NAME	BOARD-IN CONTACT M-TYPE							
DIMENSIONS: mm 		CHK	L. CHEN	27.09.2021			PRODUCT SPEC	108-106642						
		APVD	D. ZHANG	29.09.2021				APPLICATION SPEC	114-106642					
MATERIAL		FINISH	PRE-TIN				WEIGHT	0.154						
				CUSTOMER DRAWING		SCALE	10:1		SHEET	1	OF	1	REV	A1

printed on 28 Aug 2023 11:34 (China Standard Time) from TE315078