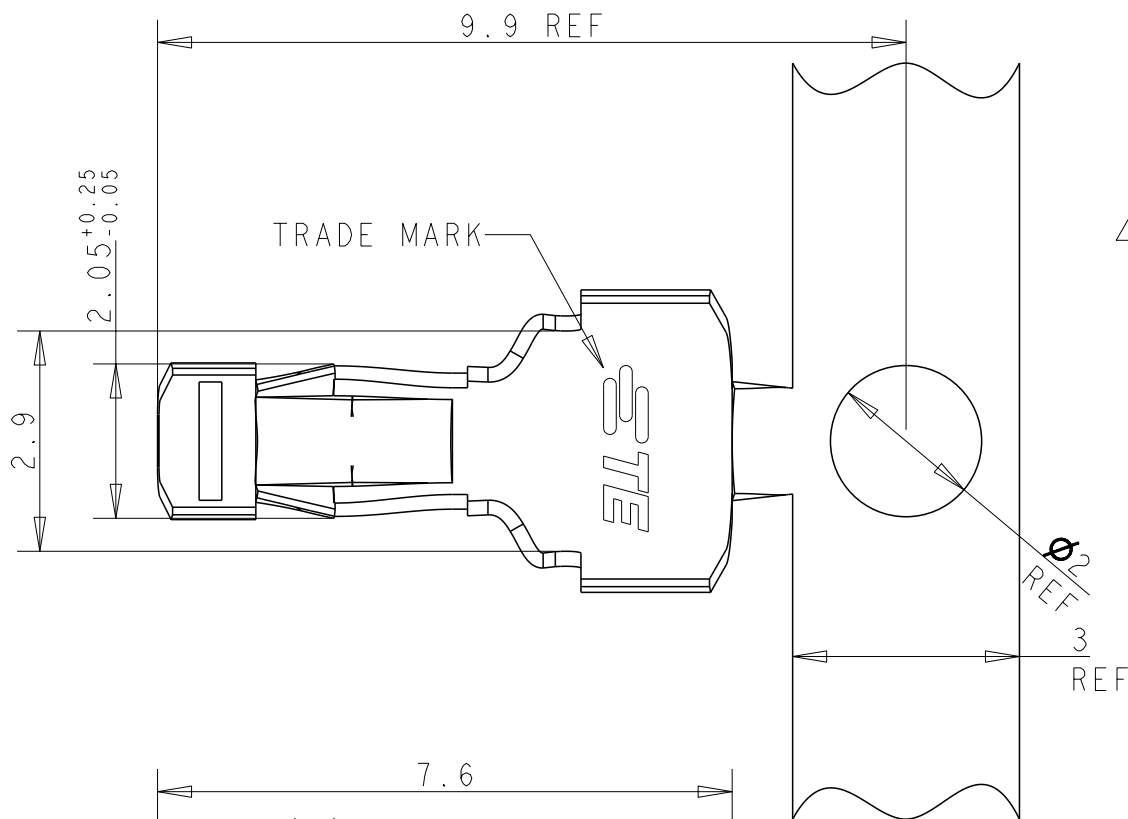
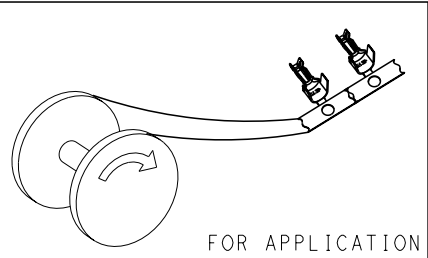
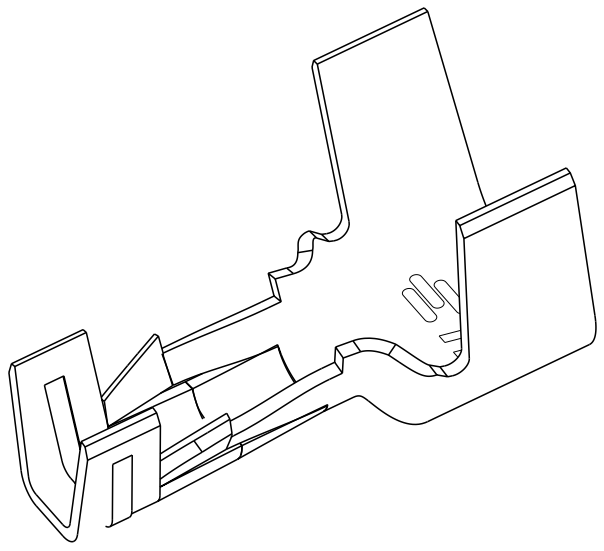
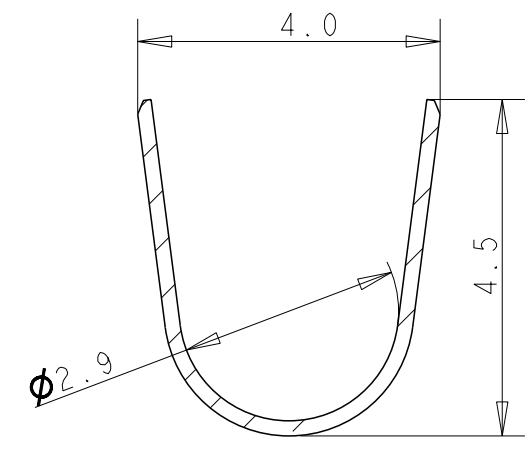
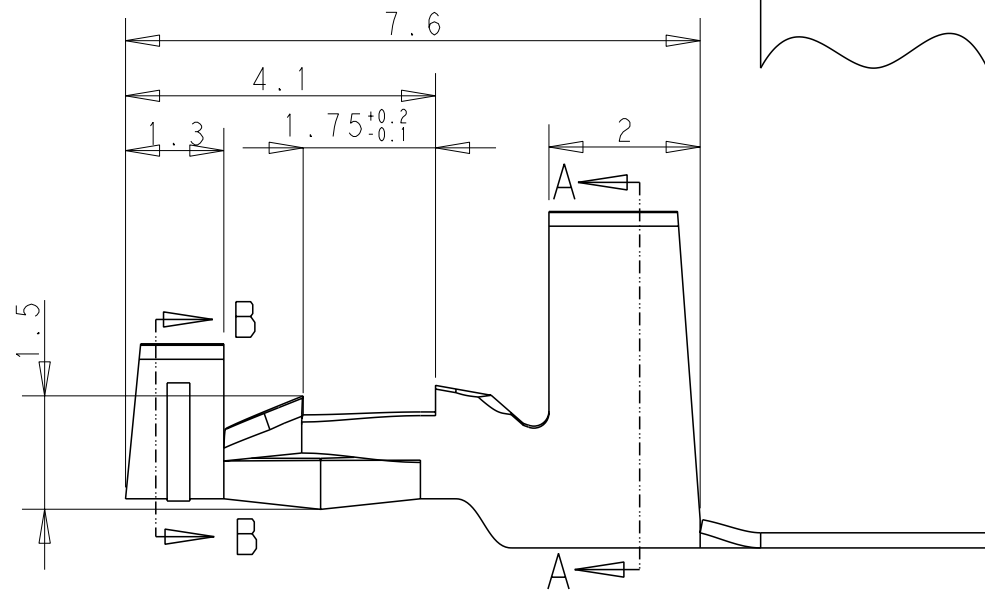
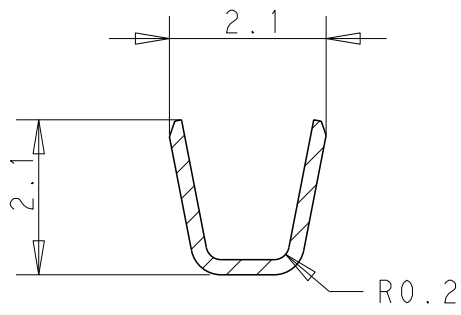


THIS DRAWING IS UNPUBLISHED. RELEASED FOR PUBLICATION 20  
 © COPYRIGHT 20 BY - ALL RIGHTS RESERVED.

REVISIONS					
P	LTR	DESCRIPTION	DATE	DWN	APVD
	A	INITIAL RELEASE	20FEB2023	M.G	D.Z



- 1. MATERIAL: COPPER ALLOY, PRE TIN
- 2. PACKAGE: REEL
- 3. APPLICATION FEED PITCH: 14MM
- 4. APPLICABLE WIRE: AWG22-18, INS DIA Ø1.5-3.0MM
- 5. RECOMMEND PCB HOLE DIA Ø1.8-1.9MM
- 6. RECOMMEND PCB THICKNESS 1.6±0.05MM



3300PC/BOX	2393199-1
PACKAGE QUANTITY	PART NUMBER

THIS DRAWING IS A CONTROLLED DOCUMENT.		DWN	M. GAO	26-09-2021	 TE Connectivity	NAME BOARD-IN CONTACT S-TYPE	
DIMENSIONS: mm		CHK	L. CHEN	27-09-2021			
TOLERANCES UNLESS OTHERWISE SPECIFIED:		APVD	D. ZHANG	28-09-2021			
0 PLC ±0.3 1 PLC ±0.3 2 PLC ±0.3 3 PLC ± 4 PLC ± ANGLES ±1°		PRODUCT SPEC	108-106642				
MATERIAL	1	FINISH	PRE TIN		APPLICATION SPEC	114-106642	
		WEIGHT	0.128		SIZE	A3	
		CUSTOMER DRAWING		SCALE	10:1	CAGE CODE	00779
				SHEET	1	DRAWING NO	C-2393199
				OF	1	RESTRICTED TO	-
				REV	A		

printed on 20 Feb 2023 13:41 (China Standard Time) from TE315078