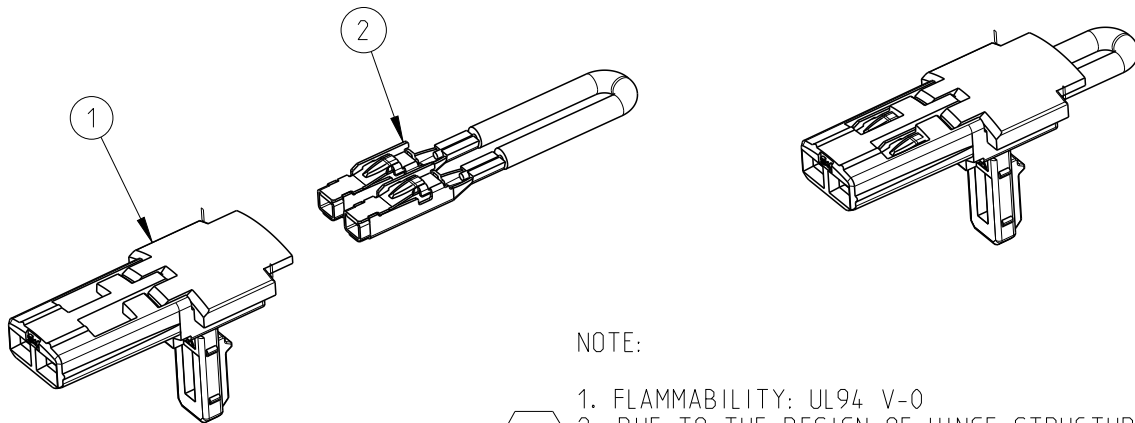
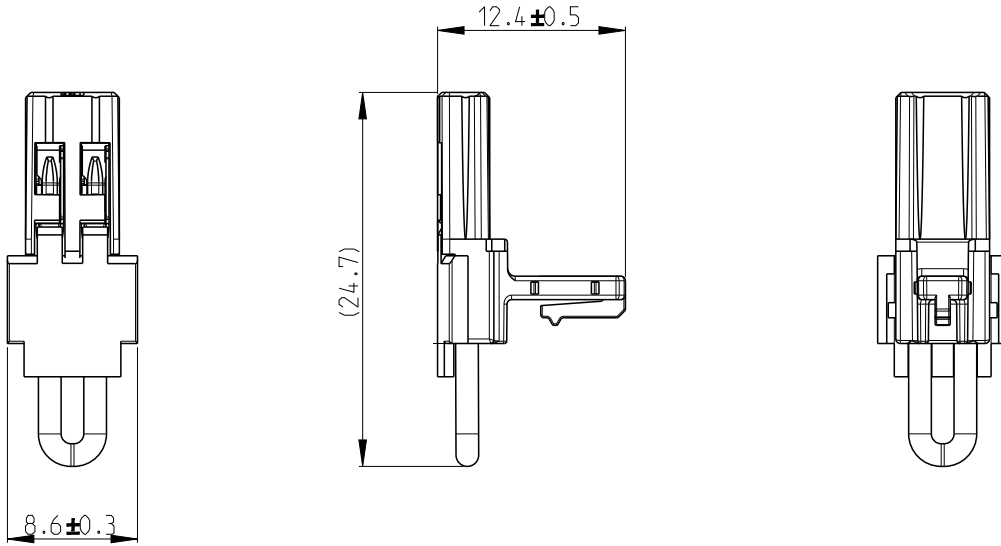


REVISIONS					
P	LTR	DESCRIPTION	DATE	DWN	APVD
	A	INITIAL RELEASE	27OCT2022	E.C	Z.Z
	A1	REVISION	01FEB2023	E.C	Z.Z



EXPLODE VIEW
SCALE 2:1



NOTE:

1. FLAMMABILITY: UL94 V-0
2. DUE TO THE DESIGN OF HINGE STRUCTURE, PLASTIC PARTICLES MAY APPEAR ON PRODUCT WITHOUT ANY FUNCTION ISSUE.

1	CABLE ASSY	-	-	2	BOM OF TPA ASSY
1	TPA	PA66-GF30 V0	RED	1	
-	DESCRIPTION	MATERIAL	COLOR	ITEM	
2392567-1	← ASSEMBLY P/N				
A	← REVISION OF ASSEMBLY				
Q'TY	PART LIST				

© 2021 TE Connectivity. All Rights Reserved.

DIMENSIONS: mm TOLERANCES UNLESS OTHERWISE SPECIFIED: 0 PLC ± 1 PLC ± 2 PLC ± 3 PLC ± 4 PLC ± ANGLES ±	DWN E.CHEN 19OCT2022	MATERIAL	FINISH
	CHK J.LI 19OCT2022		
	APVD Z.ZHOU 19OCT2022		
PRODUCT SPEC 108-160599	NAME TPA ASSY HVA-HD400 MULTI CORE PLUG		
	APPLICATION SPEC 114-160337	SIZE A 4	CAGE CODE 00779
	WEIGHT -	DRAWING NO C=2392567	RESTRICTED TO -
	CUSTOMER DRAWING	SCALE 4:1	SHEET 1 OF 1
			REV A1