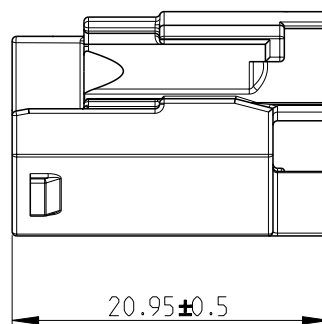
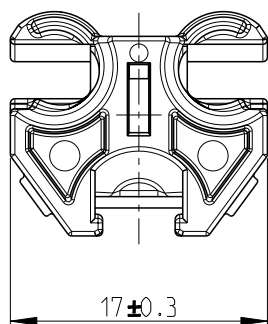
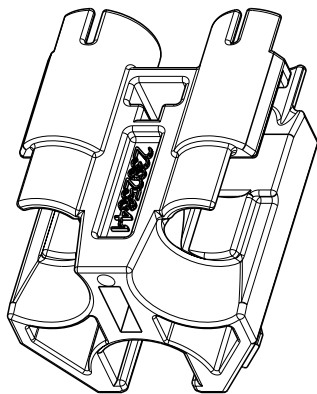


REVISIONS					
P	LTR	DESCRIPTION	DATE	DWN	APVD
	A	INITIAL RELEASE	27OCT2022	E.C	Z.Z



1. MATERIAL: PA66 GF-30
 FLAMMABILITY: UL94 V-0
 COLOR: BLACK

- 2. FEATURE DENOTED BY REFERENCE DIMENSIONS MUST BE INSPECTION FOR PRESENCE
- 3. PART MUST BE FREE OF EXCESSIVE FLASH, MIS-MATCH, SINK MARKS. OR OTHER VISUAL IMPERFECTIONS THAT MAY AFFECT PRODUCT FIT OR FUNCTION
- 4. BULK PACKAGED

© 2021 TE Connectivity. All Rights Reserved.

DIMENSIONS: mm TOLERANCES UNLESS OTHERWISE SPECIFIED: 0 PLC ± 1 PLC ± 2 PLC ± 3 PLC ± 4 PLC ± ANGLES ±	DWN E.CHEN 19OCT2022	MATERIAL 1	FINISH -
	CHK J.LI 19OCT2022		
APVD Z.ZHOU 19OCT2022	NAME FIXTURE HVA-HD400 MULTI CORE PLUG		
PRODUCT SPEC 108-160599	SIZE A 4	CAGE CODE 00779	DRAWING NO G=2392564
APPLICATION SPEC 114-160337	RESTRICTED TO -		
WEIGHT -	CUSTOMER DRAWING		SCALE 2:1
		SHEET 1 OF 1	REV A