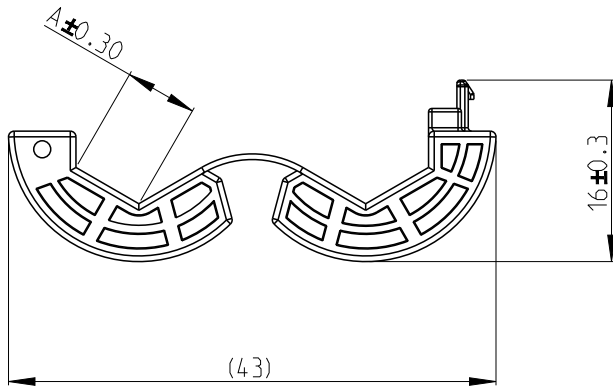
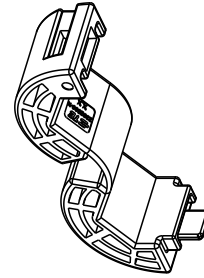


REVISIONS					
P	LTR	DESCRIPTION	DATE	DWN	APVD
	A	INITIAL RELEASE	27OCT2022	E.C	Z.Z
	A1	REVISION (ECR-23-184108)	14AUG2023	S.W	Z.Z
	A2	REVISION (ECR-23-185088)	24AUG2023	S.W	Z.Z



1. MATERIAL: PA6  
 FLAMMABILITY: UL94 V-0  
 COLOR: SEE TABLE

- 2. FEATURE DENOTED BY REFERENCE DIMENSIONS MUST BE INSPECTION FOR PRESENCE
- 3. PART MUST BE FREE OF EXCESSIVE FLASH, MIS-MATCH, SINK MARKS. OR OTHER VISUAL IMPERFECTIONS THAT MAY AFFECT PRODUCT FIT OR FUNCTION
- 4. BULK PACKAGED

© 2021 TE Connectivity. All Rights Reserved.

8.5	ORANGE	FOR 3X6SQM ISO H+S	2392560-3
7.6	NATURAL	FOR 2X4SQM ISO H+S FOR 3X4SQM ISO H+S FOR 2X6SQM ISO H+S	2392560-2
6.4	BLACK	FOR 2X2.5SQM ISO H+S FOR 3X2.5SQM ISO H+S	2392560-1
DIM. A	COLOR	DESCRIPTION	PART NO.

DIMENSIONS: mm  TOLERANCES UNLESS OTHERWISE SPECIFIED:  0 PLC ± 1 PLC ± 2 PLC ± 3 PLC ± 4 PLC ± ANGLES ±	DWN E.CHEN 19OCT2022 MATERIAL	FINISH -
	CHK J.LI 19OCT2022 APVD Z.ZHOU 19OCT2022 PRODUCT SPEC 108-160599 APPLICATION SPEC 114-160337 WEIGHT -	
NAME SPACER HVA-HD400 MULTI CORE PLUG		RESTRICTED TO -
SIZE A 4		CAGE CODE 00779 DRAWING NO C=2392560
CUSTOMER DRAWING		SCALE 1:1 SHEET 1 OF 1 REV A2