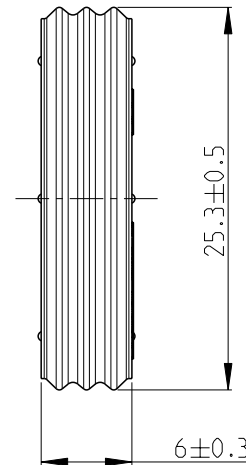
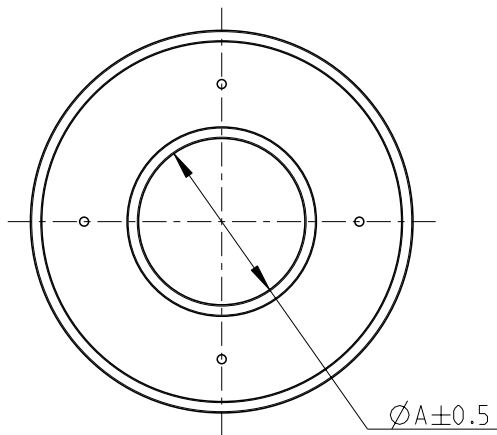
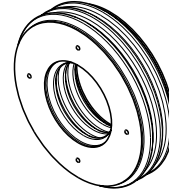


REVISIONS					
P	LTR	DESCRIPTION	DATE	DWN	APVD
	A	INITIAL RELEASE	14OCT2022	E.C	Z.Z



1. MATERIAL:  
INHERENTLY LUBRICATED SILICONE  
COLOR: SEE TABLE
2. PART DIMENSIONS SHOWN ARE IN FREE STATE CONDITION
3. FEATURE DENOTED BY REFERENCE DIMENSIONS MUST BE INSPECTED FOR PRESENCE
4. PART MUST BE FREE OF EXCESSIVE FLASH, MIS-MATCH, STAINS, SCORES, SINK MARKS, OR OTHER VISUAL IMPERFECTIONS THAT MAY AFFECT PRODUCT FIT OR FUNCTION

11.0	YELLOW	FOR 3X6SQM ISO H+S	2392556-4
9.7	GREEN	FOR 2X6SQM ISO H+S	2392556-3
8.9	RUST RED	FOR 2X4SQM ISO H+S FOR 3X4SQM ISO H+S	2392556-2
7.2	LIGHT BLUE	FOR 2X2.5SQM ISO H+S FOR 3X2.5SQM ISO H+S	2392556-1
DIM A	COLOR	DESCRIPTION	PART NO.

© 2021 TE Connectivity. All Rights Reserved.

DIMENSIONS:  
mm

TOLERANCES UNLESS OTHERWISE SPECIFIED:

0 PLC	±
1 PLC	±
2 PLC	±
3 PLC	±
4 PLC	±
ANGLES	±

DWN E.CHEN	21OCT2022
CHK J.LI	21OCT2022
APVD Z.ZHOU	21OCT2022
PRODUCT SPEC	108-160599
APPLICATION SPEC	114-160337
WEIGHT	-

MATERIAL	1	FINISH	-
<b>TE</b> TE Connectivity			
NAME SINGLE WIRE SEAL HVA-HD400 MULTI CORE PLUG			
SIZE	CAGE CODE	DRAWING NO	RESTRICTED TO
A 4	00779	C=2392556	-
CUSTOMER DRAWING		SCALE	SHEET
		2:1	1 OF 1
			REV
			A