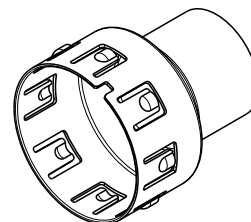
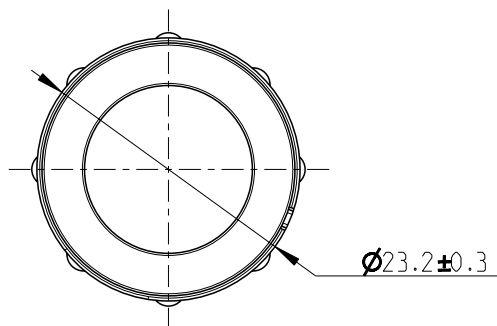
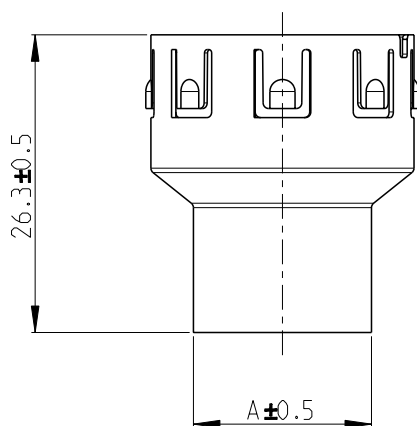


REVISIONS					
P	LTR	DESCRIPTION	DATE	DWN	APVD
	A	INITIAL RELEASE	27OCT2022	E.C	Z.Z



SCALE 1:1



1. MATERIAL: COPPER ALLOY

2. FINISH: UNDERPLATE: DUCTILE NICKEL, TOP PLATE: SILVER

3. PARTS MUST FREE OF BURRS, CRACKS, OR OTHER VISUAL IMPERFECTIONS THAT MAY AFFECT FIT FORM OR FUNCTION.

Ø15.7	FOR 3X6SQM ISO H+S	2392554-3
Ø14.0	FOR 2X6SQM ISO H+S FOR 3X4SQM ISO H+S FOR 2X4SQM ISO H+S	2392554-2
Ø11.5	FOR 2X2.5SQM ISO H+S FOR 3X2.5SQM ISO H+S	2392554-1
DIM A	DESCRIPTION	PART NO.

© 2021 TE Connectivity. All Rights Reserved.

Printed on 2 Nov 2022 08:41 (China Standard Time) from TE424490

DIMENSIONS: mm	DWN E.CHEN	21OCT2022	MATERIAL	1	FINISH	2
	CHK J.LI	21OCT2022				
TOLERANCES UNLESS OTHERWISE SPECIFIED:	APVD Z.ZHOU	21OCT2022				
	0 PLC ±	PRODUCT SPEC	108-160599	SIZE	CAGE CODE	DRAWING NO
1 PLC ±	APPLICATION SPEC	114-160337	A 4	00779	G=2392554	-
2 PLC ±	WEIGHT	-	CUSTOMER DRAWING			
3 PLC ±			SCALE	1:1	SHEET	1 OF 1
4 PLC ±			REV A			
ANGLES ±						