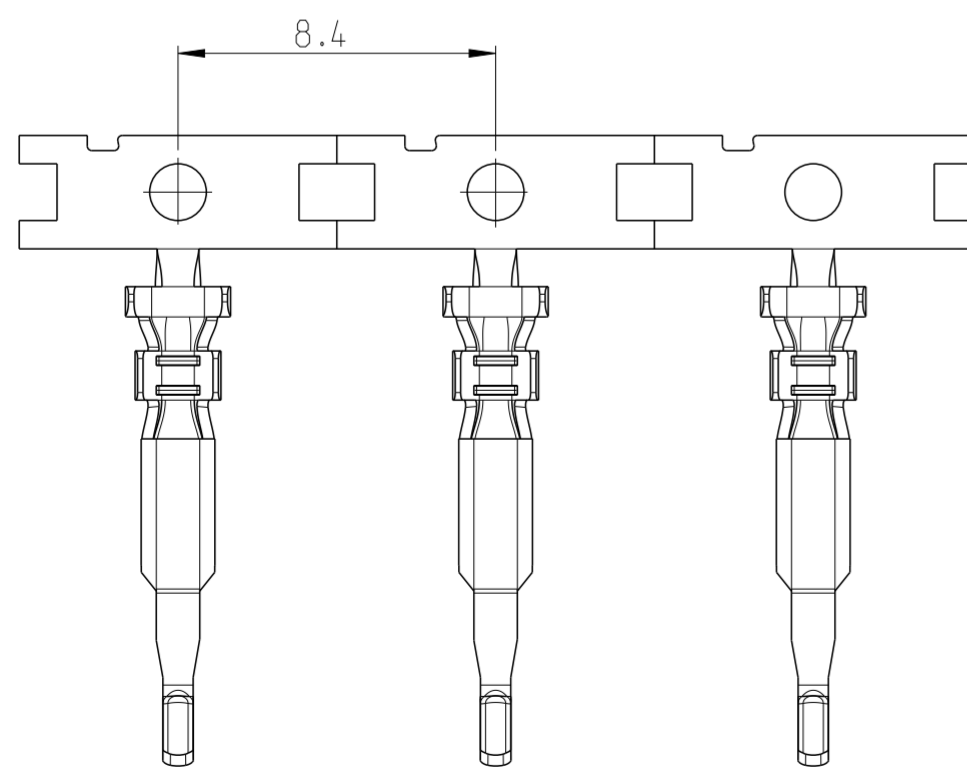
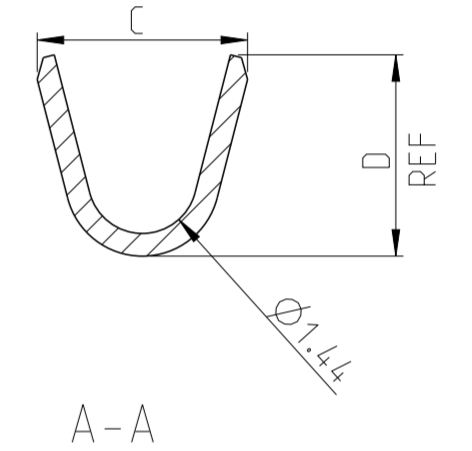
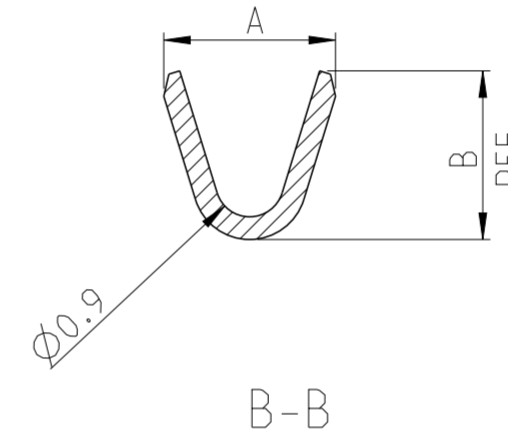
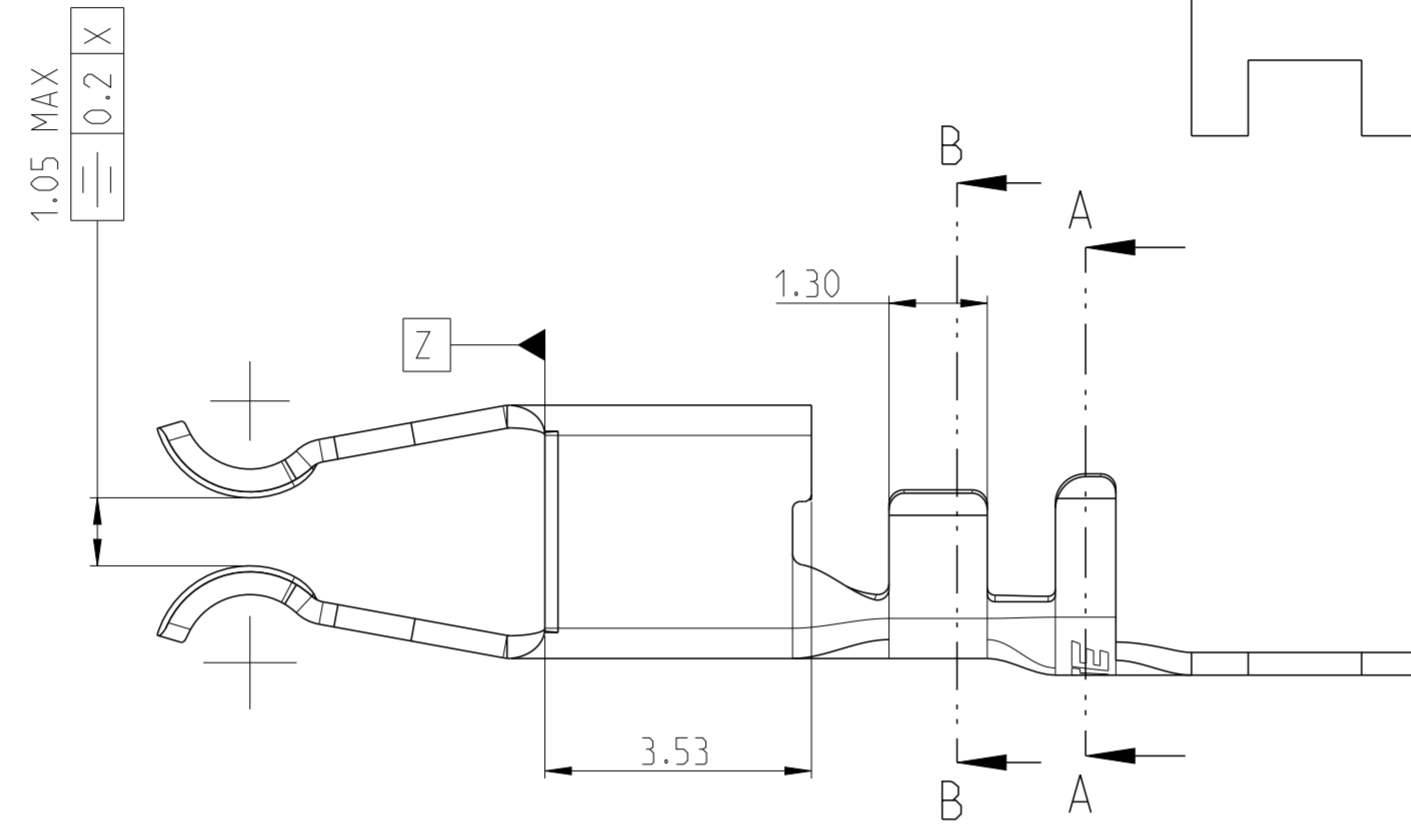
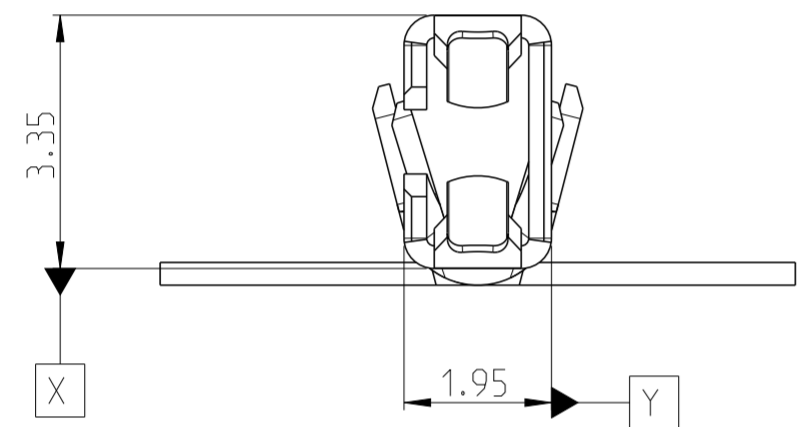
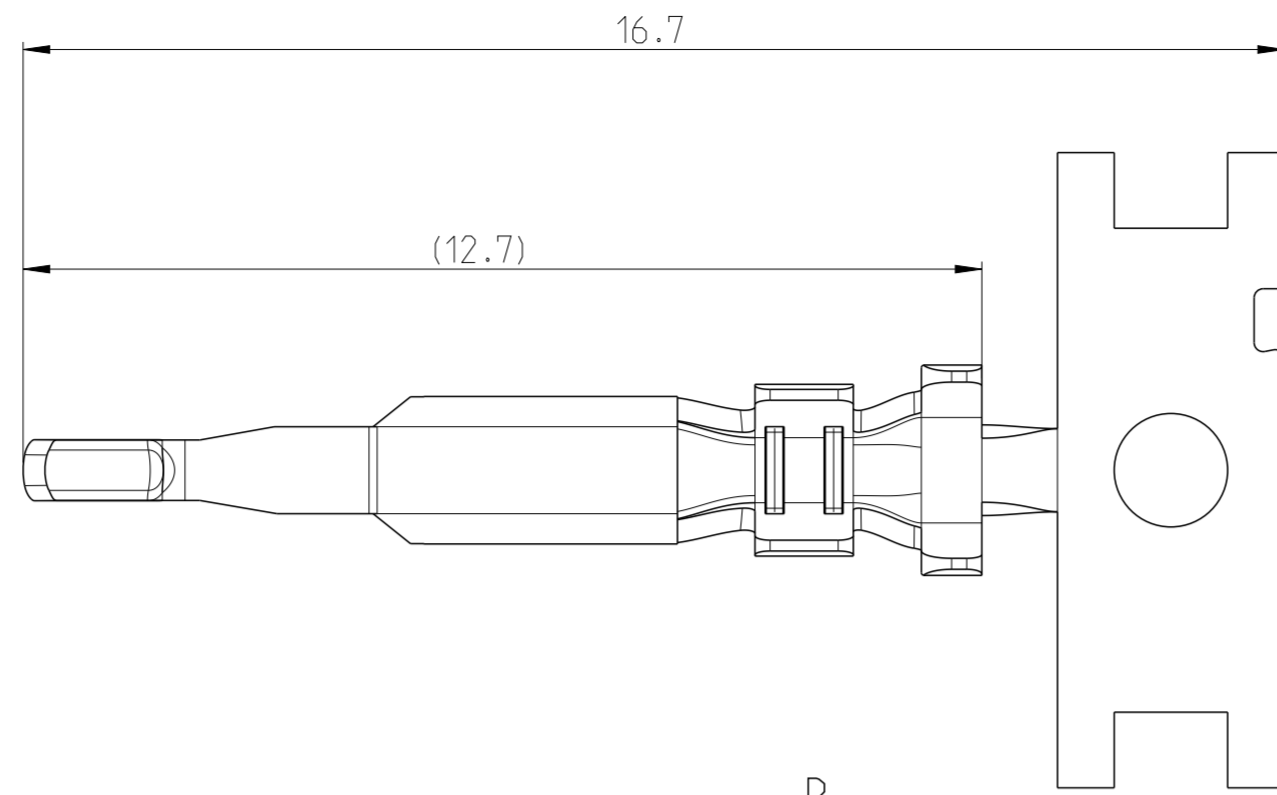
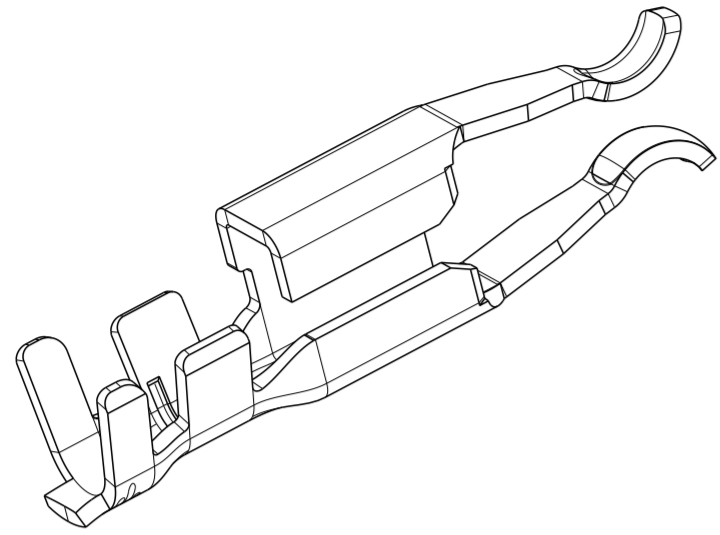


P	LTR	DESCRIPTION	DATE	DWN	APVD
A		ECR-21-121184	29NOV2021	SM	W W
A1		ECR-22-136575	21APR2022	SM	FL
A2		ECR-23-176184	24MAY2023	SM	W W



20 AWG	3.45	3.28	2.39	2.4	2391430-2
24-22 AWG	2.66	2.78	2.23	2.27	2391430-1
WIRE SIZE	DIM D	DIM C	DIM B	DIM A	PART NUMBER

NOTES:

- 1 MATERIAL : COPPER ALLOY
- 2 FINISH : PRE-TIN
- 3. DESIGNATED FOR USE IN HOUSINGS [ ]-2391423-[ ]
- 4. CONTACTS COATED WITH ANTI-FRETTING LUBRICANT.
- 5. CONTACT IS RoHS COMPLIANT.
- 6. WIRE RANGE: REFER TABLE
- 7. INSULATION RANGE: 1.4 -1.6 mm
- 8 THIS PRODUCT HAS NOT COMPLETED QUALIFICATION TESTING.

THIS DRAWING IS A CONTROLLED DOCUMENT.		DWN SUBHASH M 20AUG2021	TE Connectivity	
DIMENSIONS: mm		CHK WINTER WANG 20AUG2021		
TOLERANCES UNLESS OTHERWISE SPECIFIED:		APVD F LUPO 20AUG2021	NAME CONTACT, RAST 2.5 STD TIMER RECEPTACLE	
0 PLC ± 1 PLC ±0.5 2 PLC ±0.2 3 PLC ± 4 PLC ± ANGLES ± FINISH		PRODUCT SPEC 108-160359	SIZE A2	CAGE CODE 00779
MATERIAL -1		APPLICATION SPEC 114-160192	DRAWING NO C-2391430	RESTRICTED TO -
		WEIGHT -	SCALE 5:1	SHEET 1 OF 1
		CUSTOMER DRAWING	REV A2	