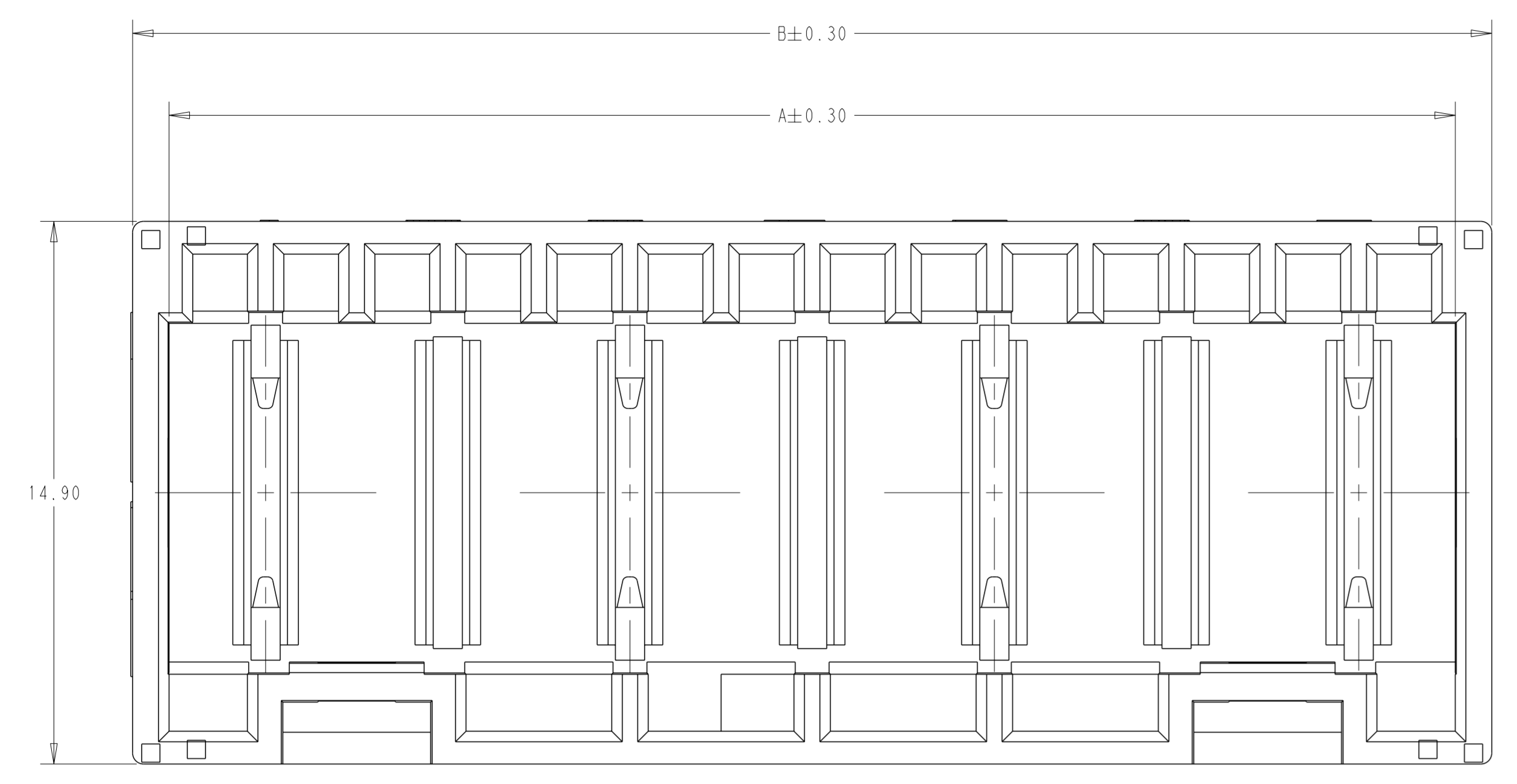
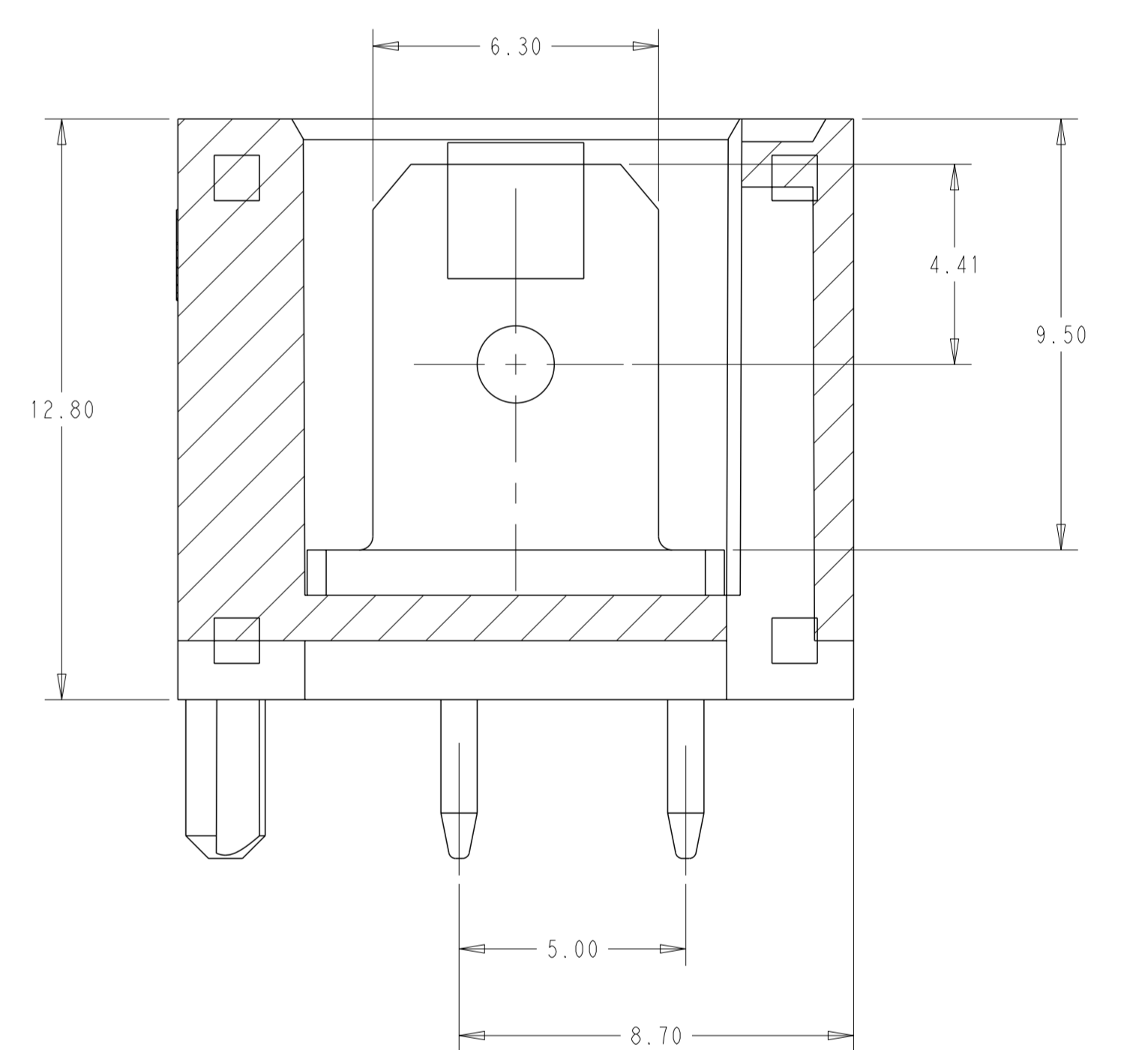
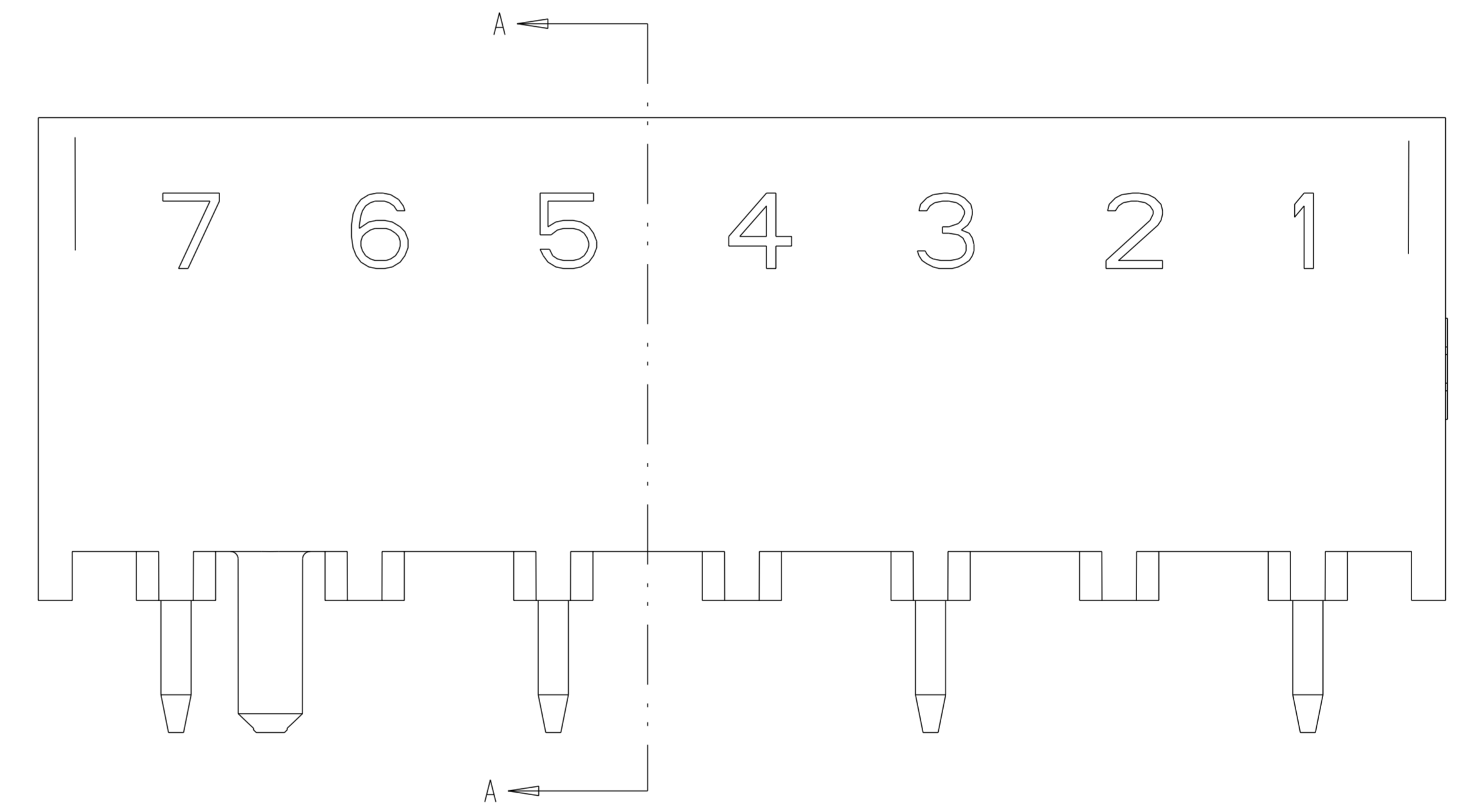
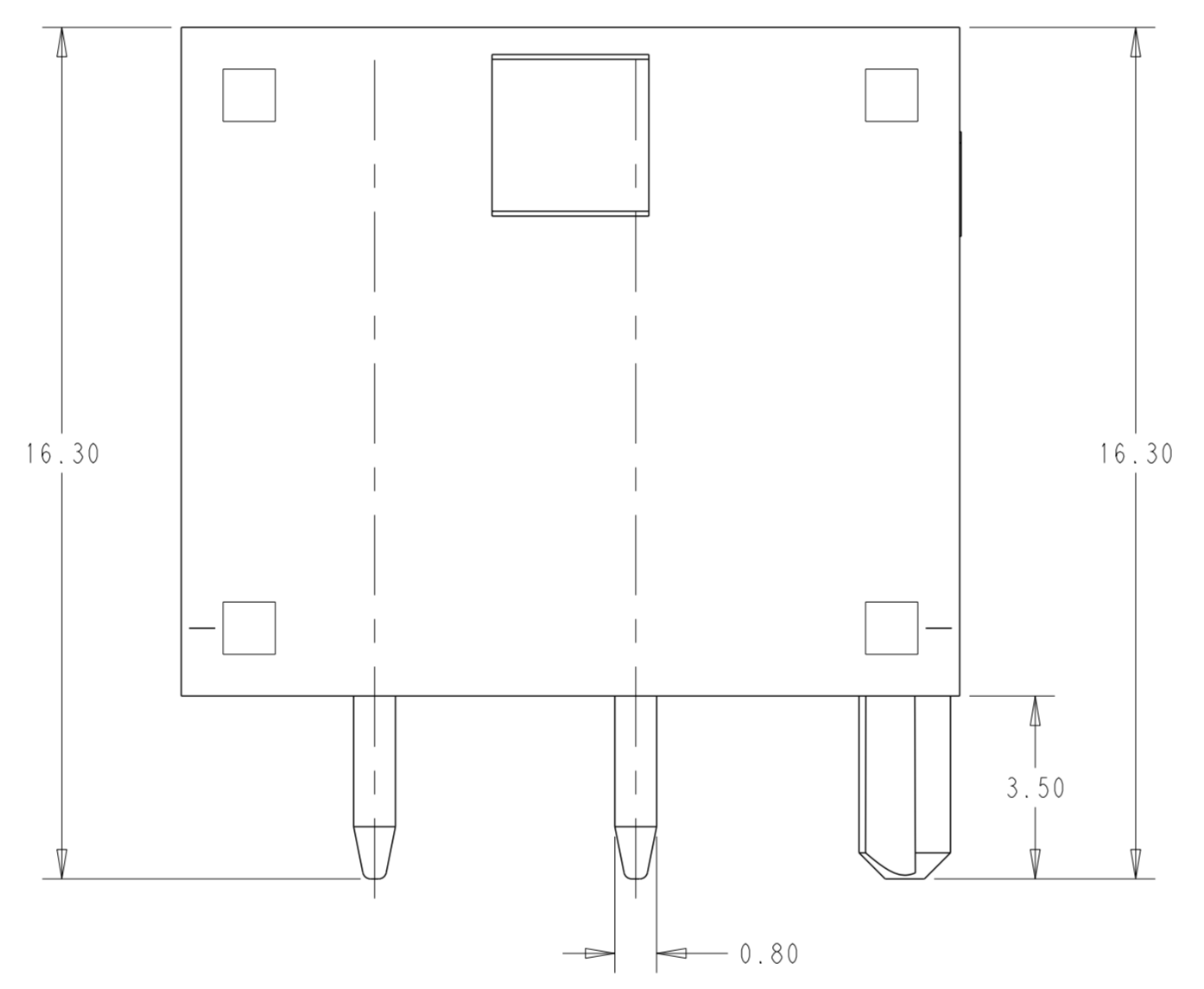
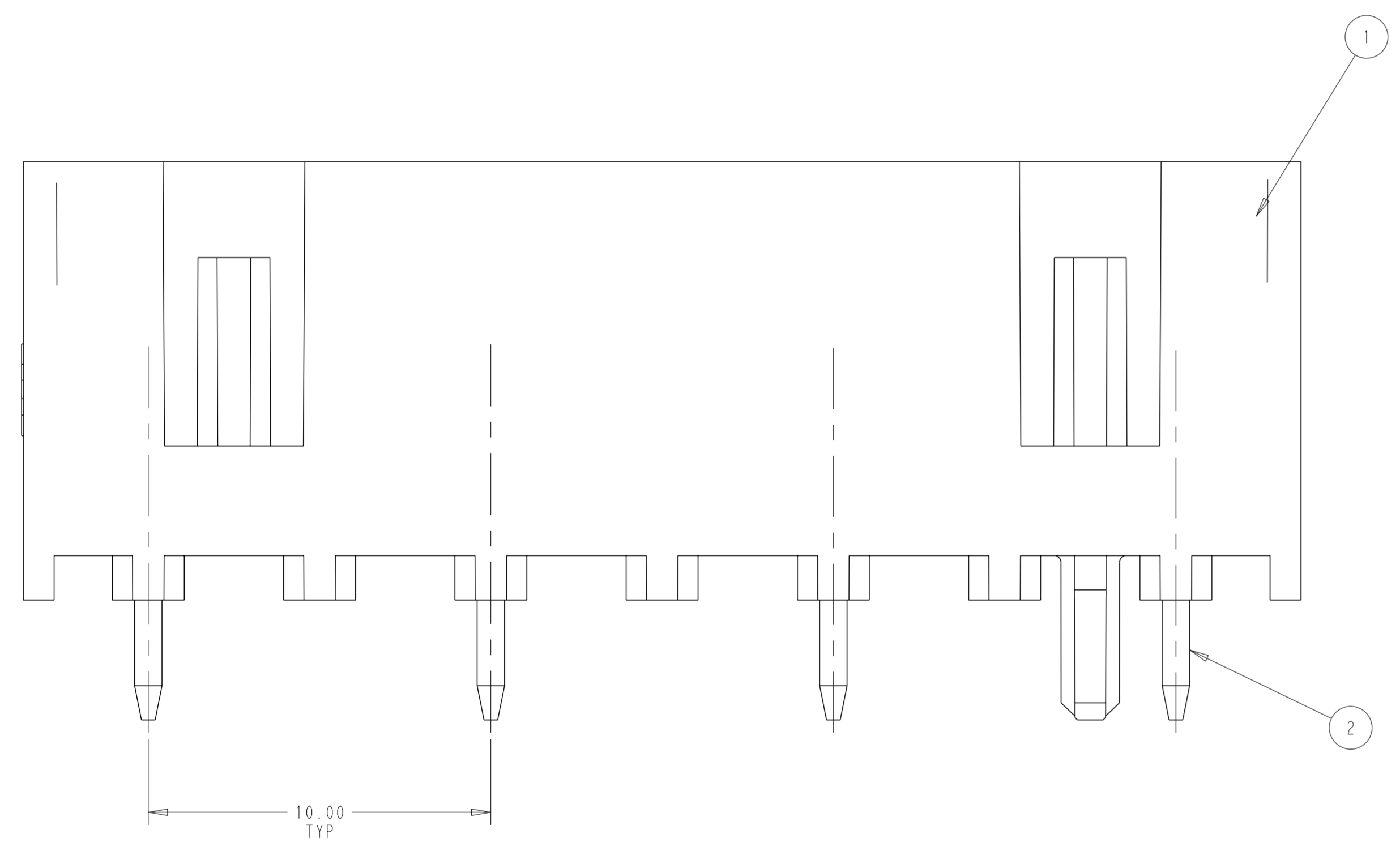


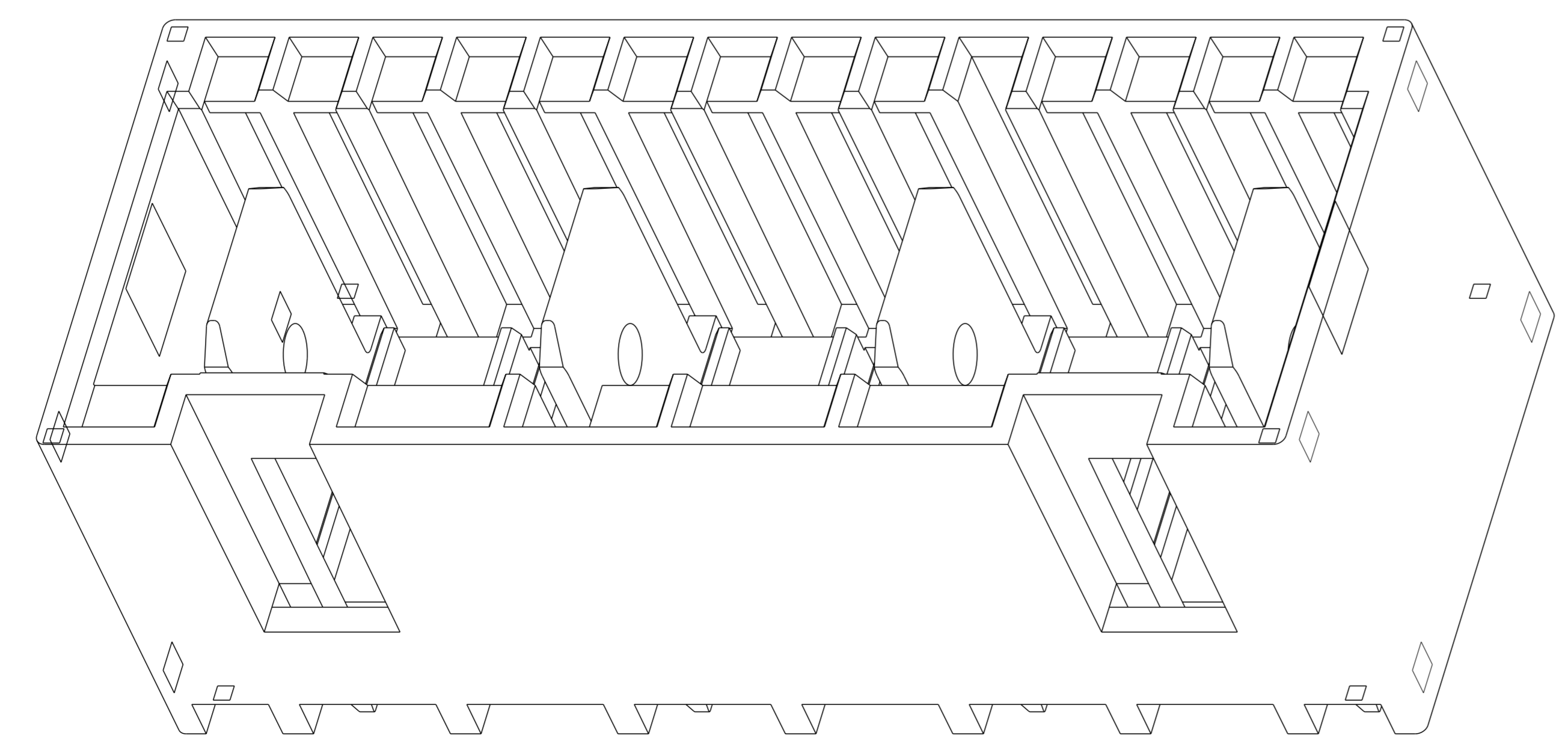
REVISIONS			
REV	DATE	BY	APPD
2	27JAN2022	LZ	FL
3	23MAY2022	LZ	FL
A	10FEB2023	TL	FL
A1	04MAY2023	TL	FL



- 1 STANDARD TAB IS USED ON PRODUCTS, TAB IS 6.30 X 0.8 ACCORDING TO DIN 46244
- 2 HOUSING HAS RAST 5 COMPLIANT KEYING, LATCHING AND POLARIZATION.G
- 3 MATERIAL: HOUSING, NYLON, UL94-V0, 750°C GWT NO FLAME PER IEC60335-1 CONTACT, COPPER ALLOY, 0.8MM THICK
- 4 FINISH: CONTACTS, MATT TIN PLATING OVERAL, NICKEL UNDER-PLATING
- 5 PCB TABS INSERTED IN A STAGGERED PATTERN BEGINNING WITH POSITION 1 (CC11)
- 6 PRELIMINARY PART NOT RELEASED FOR PRODUCTION
- 7 PACKAGING:BULK PACKAGE/LOOSE PIECE OR TUBE



SECTION A-A

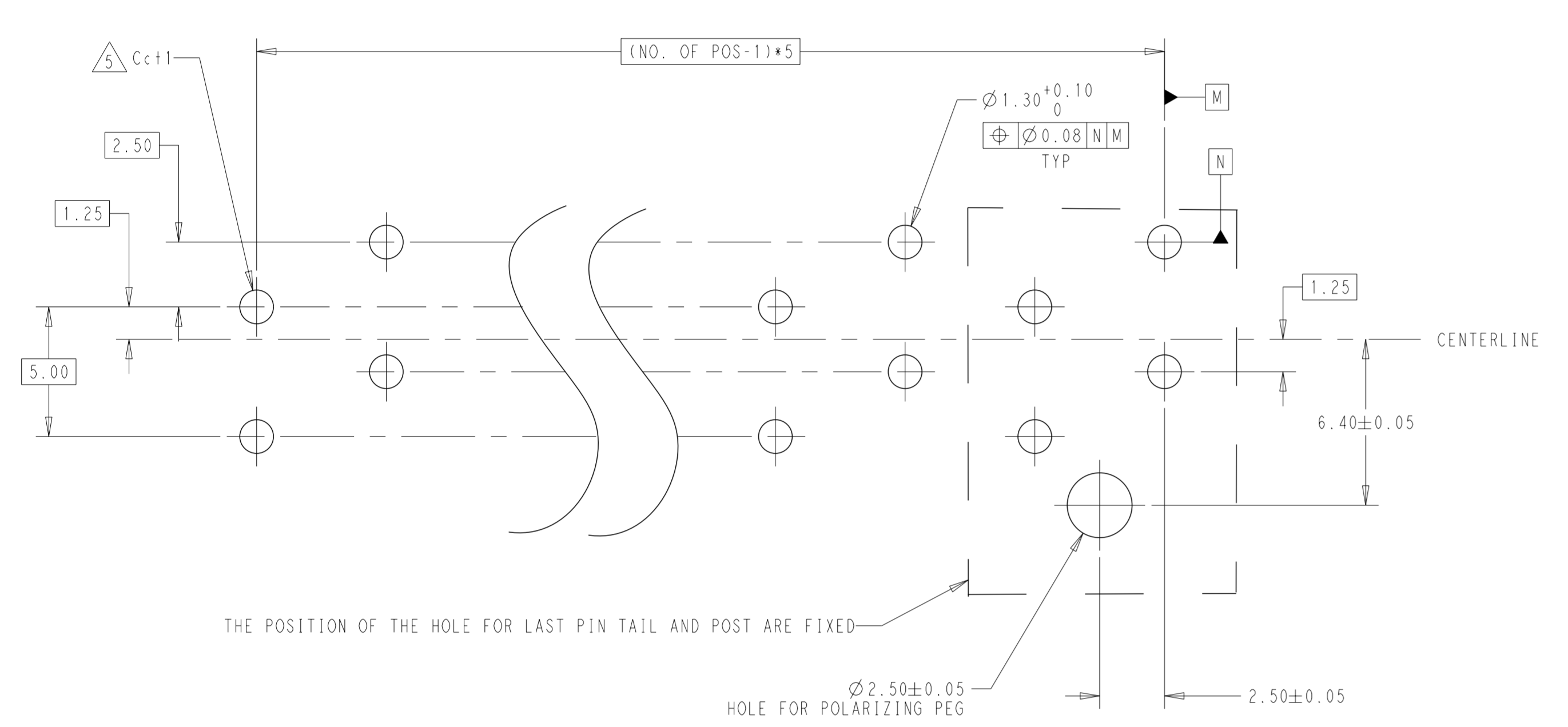
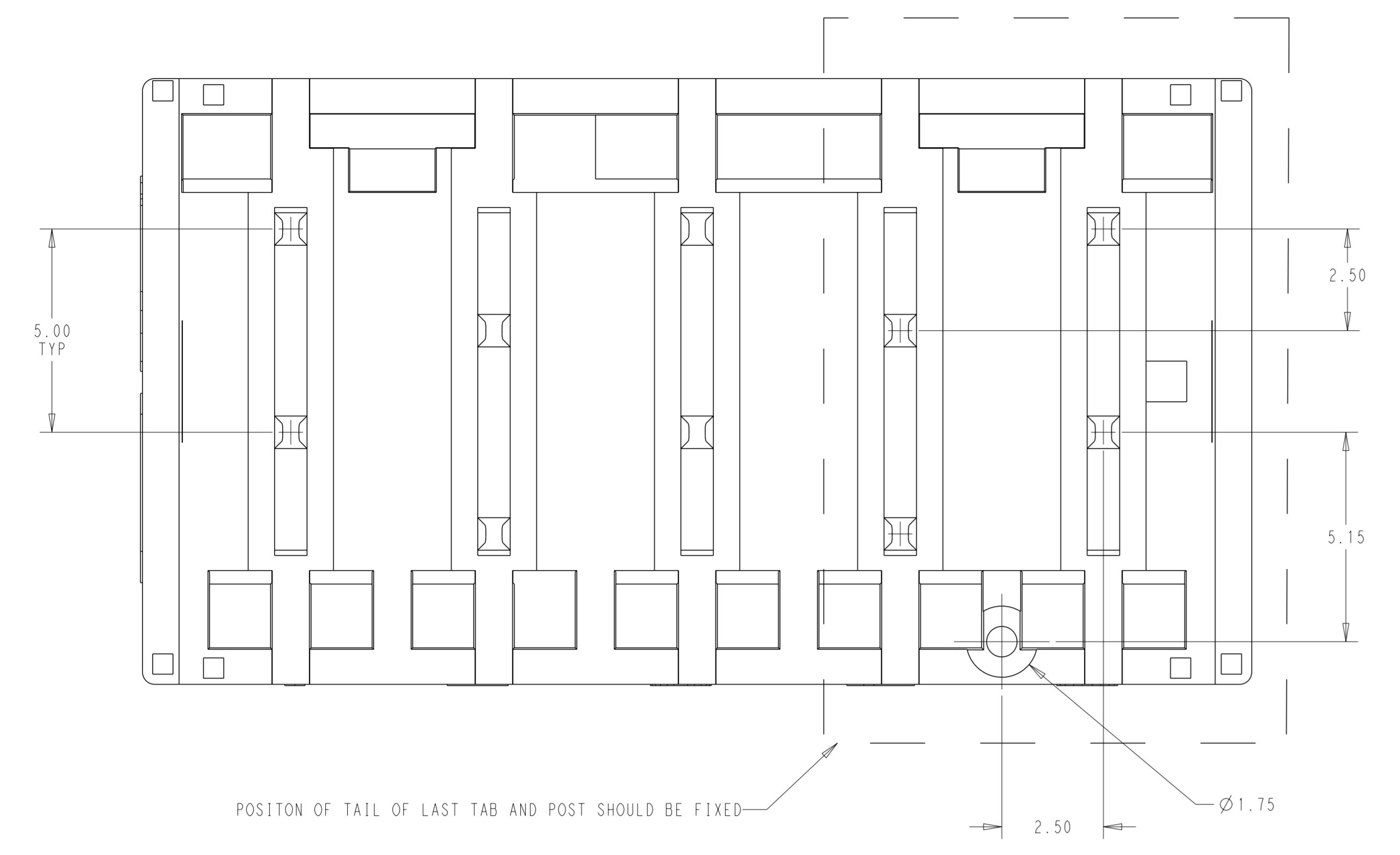


THIS DRAWING IS A CONTROLLED DOCUMENT.		DATE: 05 JUL 2021	BY: BASVESH WADHWA	TE Connectivity
DRAWN BY: CHANG, LIAO		DATE: 05 JUL 2021	CHK: ZHANG, LIANG	
DESIGNED BY: LURO, FEDERICO		DATE: 05 JUL 2021	APPD: LURO, FEDERICO	
PART NAME: RAST 5 HEADER ASSY		PRODUCT SPEC: -	APPLICATION SPEC: -	RESTRICTED TO: -
MATERIAL: -		WEIGHT: -	SIZE: A0	CASE CODE: 00779
FINISH: -		SCALE: 8:1	DRAWING NO: 2390874	SHEET 1 OF 3
CUSTOMER DRAWING				REV: A1

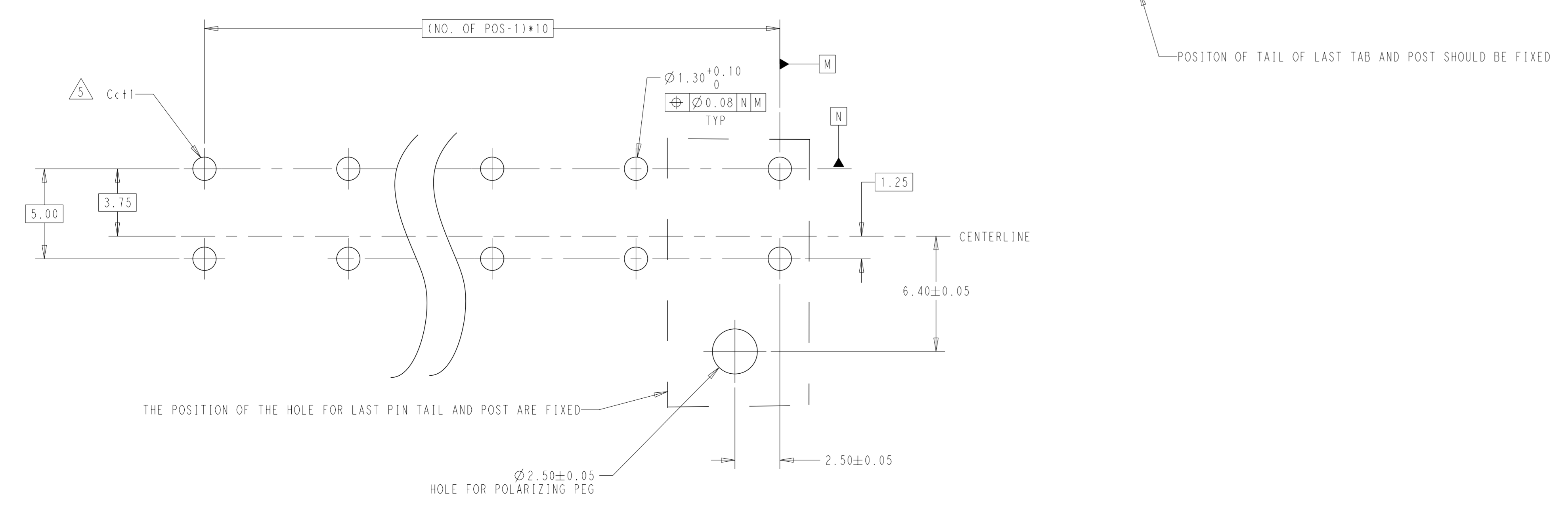
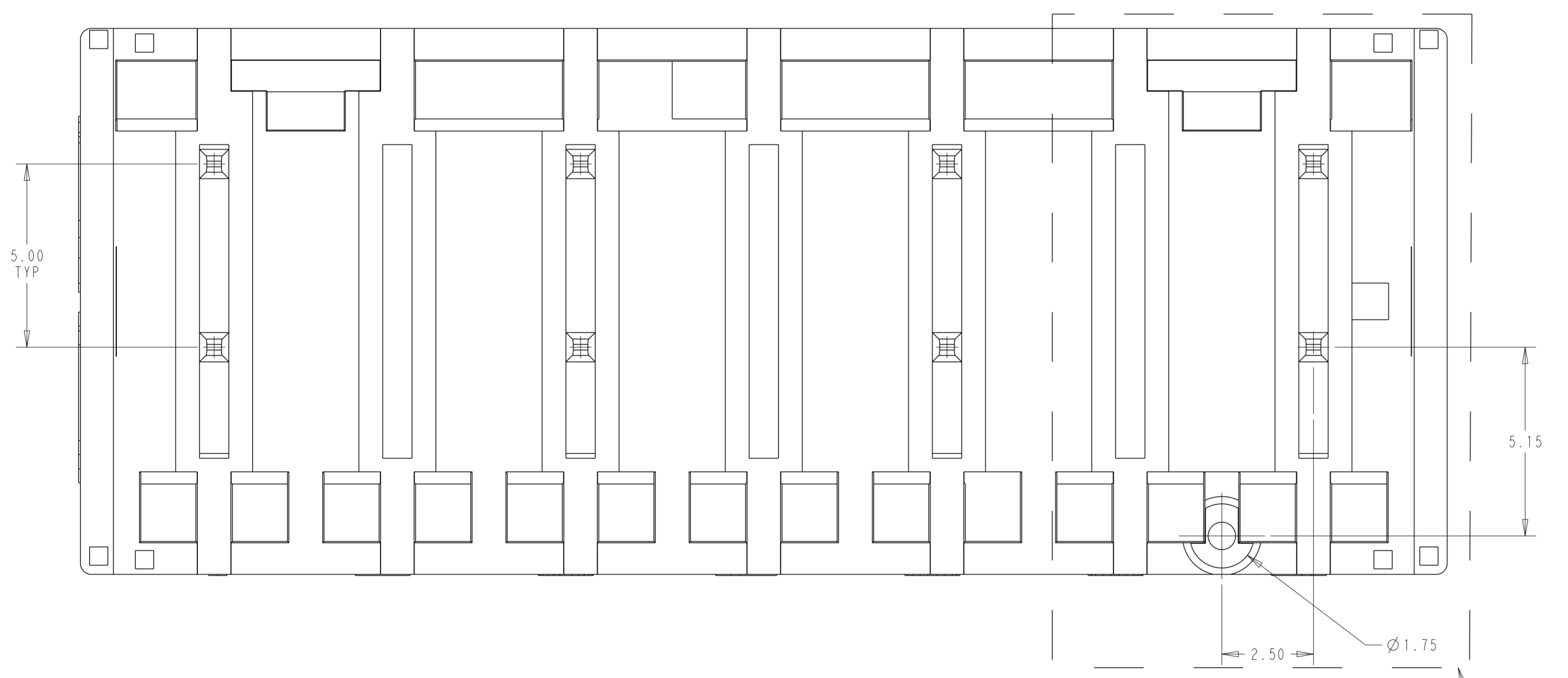
FULLY LOADED

TAB LAYOUT A

REVISIONS			
REV	DESCRIPTION	DATE	APP'D
-	SEE SHEET 1	-	-



SELECTIVE LOADED



LOADED	LAYOUT	Q'TY	PART NO.	HSG PART NO.	DIM B	DIM A	COLOR	NO. OF POS.	BULK PACKAGE	TUBE PACKAGE
FULLY LOADED	1 2 3 4 5 6 7	7		7P, RAST 5 TAB HEADER HSG, THV	37.30	35.30	NATURAL	7	2421362-7	/
	1 2 3 4 5	5		5P, RAST 5 TAB HEADER HSG, THV	27.30	25.30	NATURAL	5	2421362-5	/
	1 2 3 4	4		4P, RAST 5 TAB HEADER HSG, THV	22.30	20.30	NATURAL	4	1-2421362-4	/
	1 2 3 4	4	RAST 5 TAB HEADER CONTACT, THV, W/SILVER PLATING	22.30	20.30	NATURAL	4	2421362-4	2421361-4	
	1 2 3	3		3P, RAST 5 TAB HEADER HSG, THV	17.30	15.30	NATURAL	3	2421362-3	/
	1 2	2		2P, RAST 5 TAB HEADER HSG, THV	12.30	10.30	NATURAL	2	1-2421362-2	/
	1 2	2		2P, RAST 5 TAB HEADER HSG, THV	12.30	10.30	NATURAL	2	2421362-2	/
SELECTIVELY LOADED	1 X 3 X 5 X 7	4		7P, RAST 5 TAB HEADER HSG, THV	37.30	35.30	NATURAL	7	2390877-7	/
	1 X 3 X 5	3		5P, RAST 5 TAB HEADER HSG, THV	27.30	25.30	NATURAL	5	2390877-5	/
	1 X 3	2		3P, RAST 5 TAB HEADER HSG, THV	17.30	15.30	NATURAL	3	4-2390877-3	/
FULLY LOADED	1 2 3 4 5	5		5P, RAST 5 TAB HEADER CONTACT, THV, W/TIN PLATING	27.30	25.30	NATURAL	5	/	2392784-5
	1 2 3 4	4		4P, RAST 5 TAB HEADER HSG, THV	22.30	20.30	NATURAL	4	9-2390874-4	/
	1 2	2		2P, RAST 5 TAB HEADER HSG, THV	12.30	10.30	NATURAL	2	/	2-2392784-2
	1 2	2		2P, RAST 5 TAB HEADER HSG, THV	12.30	10.30	NATURAL	2	2390874-2	/

* PCB LAYOUT POSITIONS ARE NOT MATCHING WITH PART POSITION VIEW

THIS DRAWING IS A CONTROLLED DOCUMENT. DATE: 05/10/2021

DESIGNED BY: CHENG, JIANFENG
 DRAWN BY: LIU, FENG
 CHECKED BY: ZHANG, JIAN
 APPROVED BY: ZHANG, JIAN

TE Connectivity

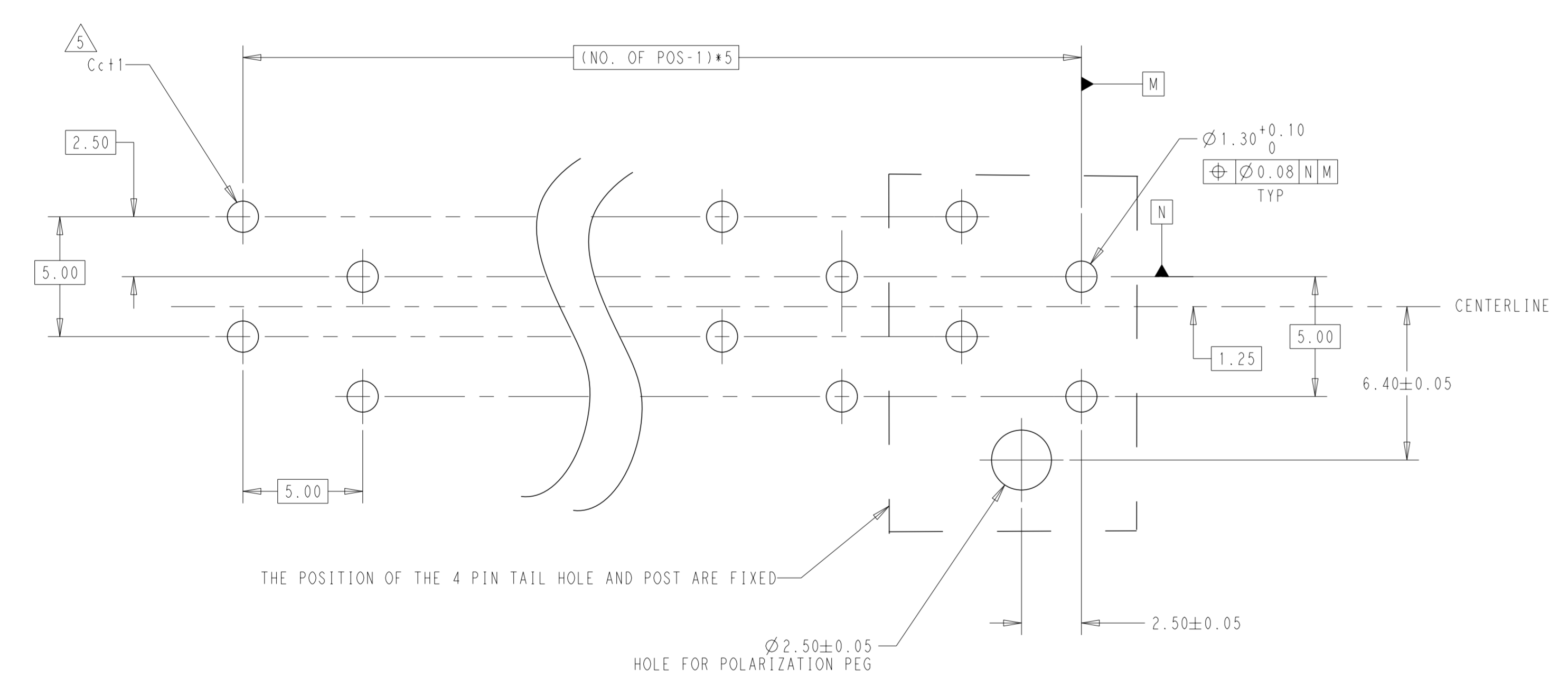
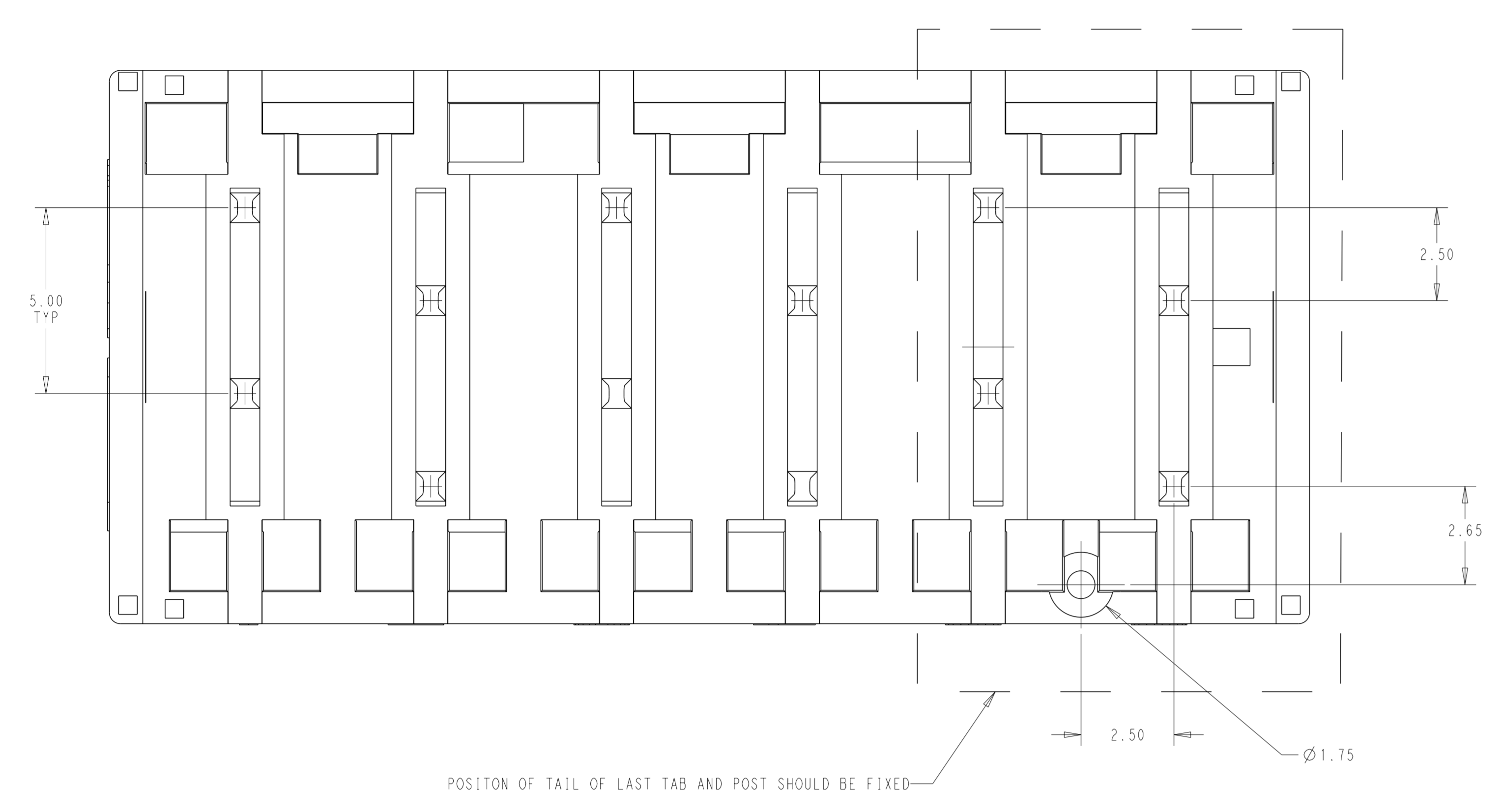
RAST 5 HEADER ASSY
 DIN STYLE, TH, VERTICAL

SCALE: 10:1 SHEET 2 OF 3

REVISIONS			
REV	DATE	BY	APPD
-	-	-	-
-	-	-	-
-	-	-	-

TAB LAYOUT B

FULLY LOADED



*** PCB LAYOUT POSITIONS ARE NOT MATCHING WITH PART POSITION VIEW**

LOADED	LAYOUT	Q'TY	PART NO. TAB CONTACT	HSG PART NO.	DIM B	DIM A	COLOR	NO. OF POS.	BULK PACKAGE PART NUMBER	TUBE PACKAGE PART NUMBER
FULLY LOADED		6		6P. RAST 5 TAB HEADER HSG, THV	32.30	30.30	NATURAL	6	/	2421355-6
		5		5P. RAST 5 TAB HEADER HSG, THV	27.30	25.30	NATURAL	5	2421357-5	/
		5		5P. RAST 5 TAB HEADER HSG, THV	27.30	25.30	NATURAL	5	1-2421357-5	1-2421355-5
		3		3P. RAST 5 TAB HEADER HSG, THV	17.30	15.30	NATURAL	3	2421357-3	/
		3		3P. RAST 5 TAB HEADER HSG, THV	17.30	15.30	NATURAL	3	/	1-2421355-3
		2		2P. RAST 5 TAB HEADER HSG, THV	12.30	10.30	NATURAL	2	/	2421355-2
FULLY LOADED		6		6P. RAST 5 TAB HEADER HSG, THV	32.30	30.30	NATURAL	6	/	7-2392771-6
		3		3P. RAST 5 TAB HEADER HSG, THV	17.30	15.30	NATURAL	3	/	2392771-3
		2		2P. RAST 5 TAB HEADER HSG, THV	12.30	10.30	NATURAL	2	/	7-2392771-2
		2		2P. RAST 5 TAB HEADER HSG, THV	12.30	10.30	NATURAL	2	/	2392771-2

THIS DRAWING IS A CONTROLLED DOCUMENT. DATE: 05 JUL 2021

DESIGNED BY: BASVESH WADHANI
 CHECKED BY: ZHANG, LILIAN
 OPERATIONAL SPEC: LUPRO_FEDERICO
 PRODUCT SPEC: RAST 5 HEADER ASSY
 APPLICATION SPEC: DIN STYLE, TH, VERTICAL

MATERIAL: 0 PL/C #0 25
 1 PL/C #0 25
 2 PL/C #0 25
 3 PL/C #0 25
 4 PL/C #0 25

FINISH: -
 ANGLE: 45°

WEIGHT: -

CUSTOMER DRAWING

SCALE: 5:1

SHEET 3 OF 3

REV: A1

STE TE Connectivity