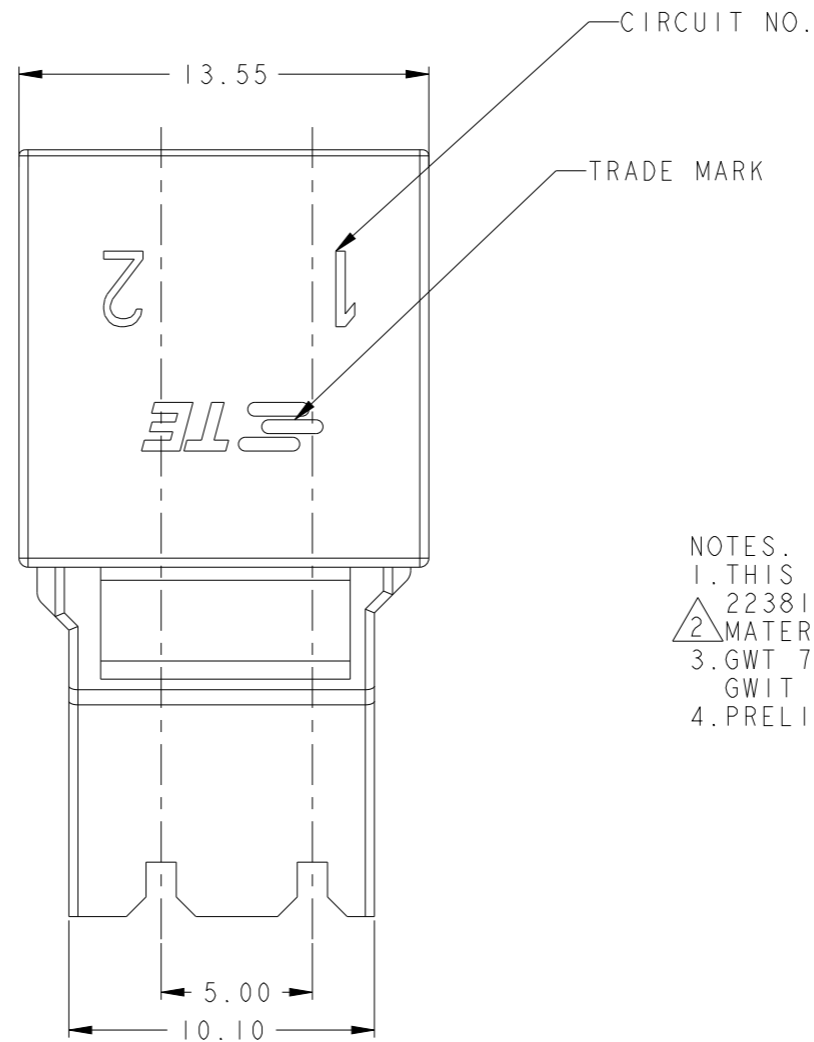
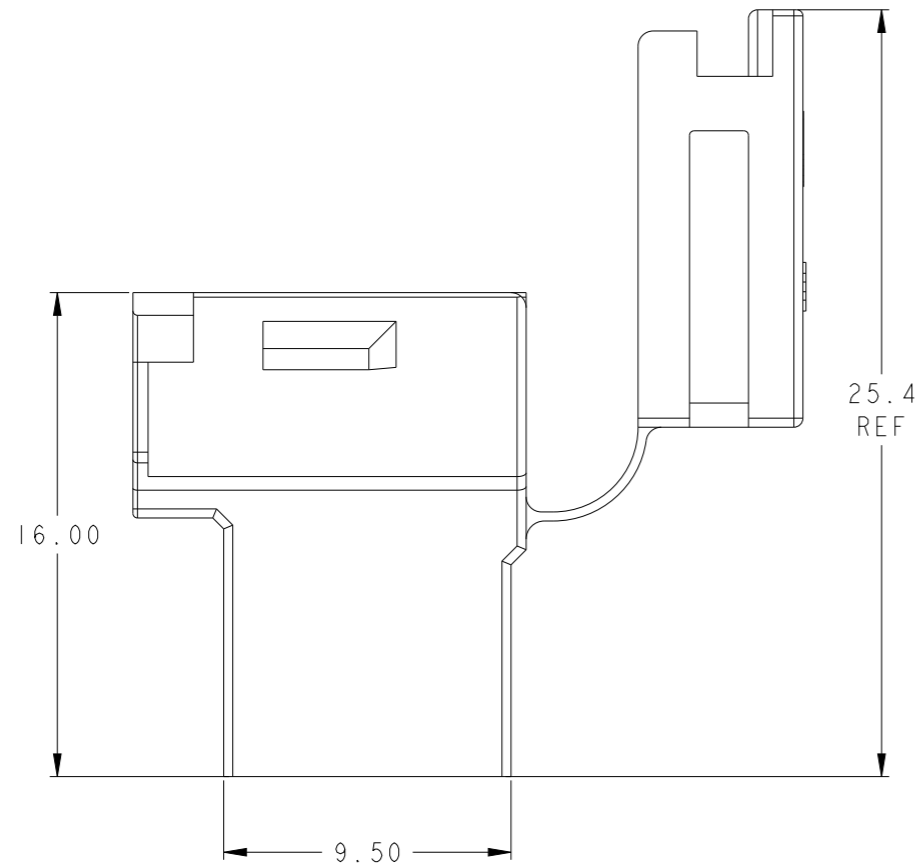
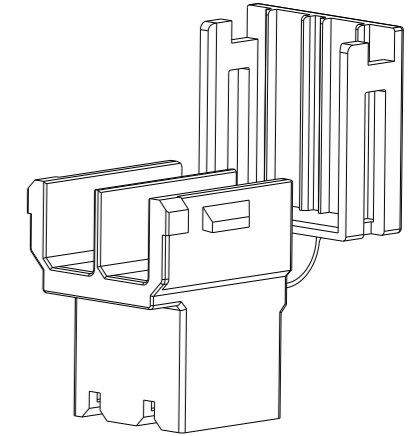
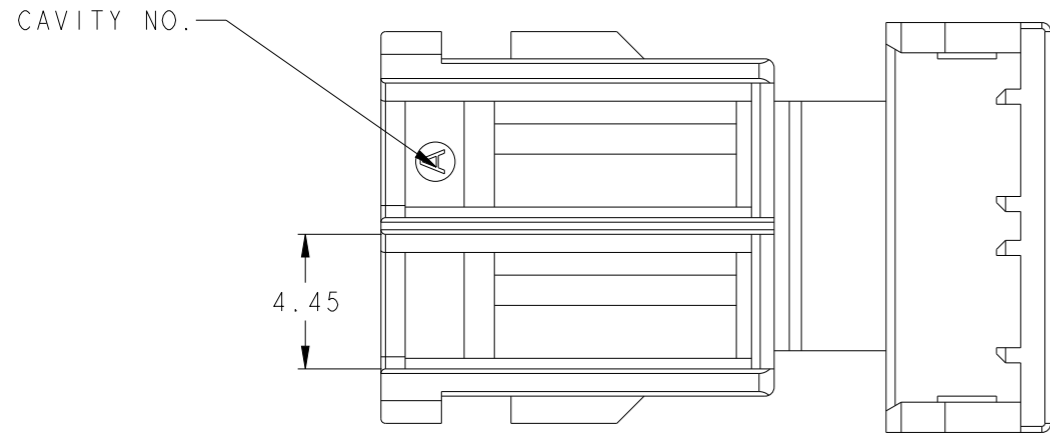



REVISIONS

P	LTR	DESCRIPTION	DATE	DWN	APVD
	I	RELEASE	20DEC2021	BH	ERIC



- NOTES.
- THIS HOUSING ACCEPTS TERMINAL PART NUMBERS 2238142-1 OR 1742543-1
  - MATERIAL : PA66, UL 94 V-0, 130°C
  - GWT 750°C ACCORDING TO IEC 60335-1  
GWIT 775°C ACCORDING TO IEC 60695-2-13
  - PRELIMINARY PART-NOT RELEASED FOR PRODUCTION

RED	2	2390748-3
BLUE	2	2390748-2
NATURAL	2	2390748-1
COLOR	MATERIAL	PART NO.

THIS DRAWING IS A CONTROLLED DOCUMENT.		DWN BH CHO	07DEC2021	 TE Connectivity	
DIMENSIONS: mm		CHK -	-		
TOLERANCES UNLESS OTHERWISE SPECIFIED:		APVD ERIC WANG	07DEC2021	NAME	
0 PLC ±- 1 PLC ±- 2 PLC ±0.25 3 PLC ±- 4 PLC ±- ANGLES ±- FINISH -		PRODUCT SPEC 108-160404	-	250 FASTON FLAG HOUSING 2P	
MATERIAL SEE NOTE		APPLICATION SPEC -	-	SIZE	CAGE CODE
		WEIGHT -	-	A300779	DRAWING NO
		CUSTOMER DRAWING	-	C-2390748	RESTRICTED TO
				SCALE	SHEET
				4:1	OF
					REV