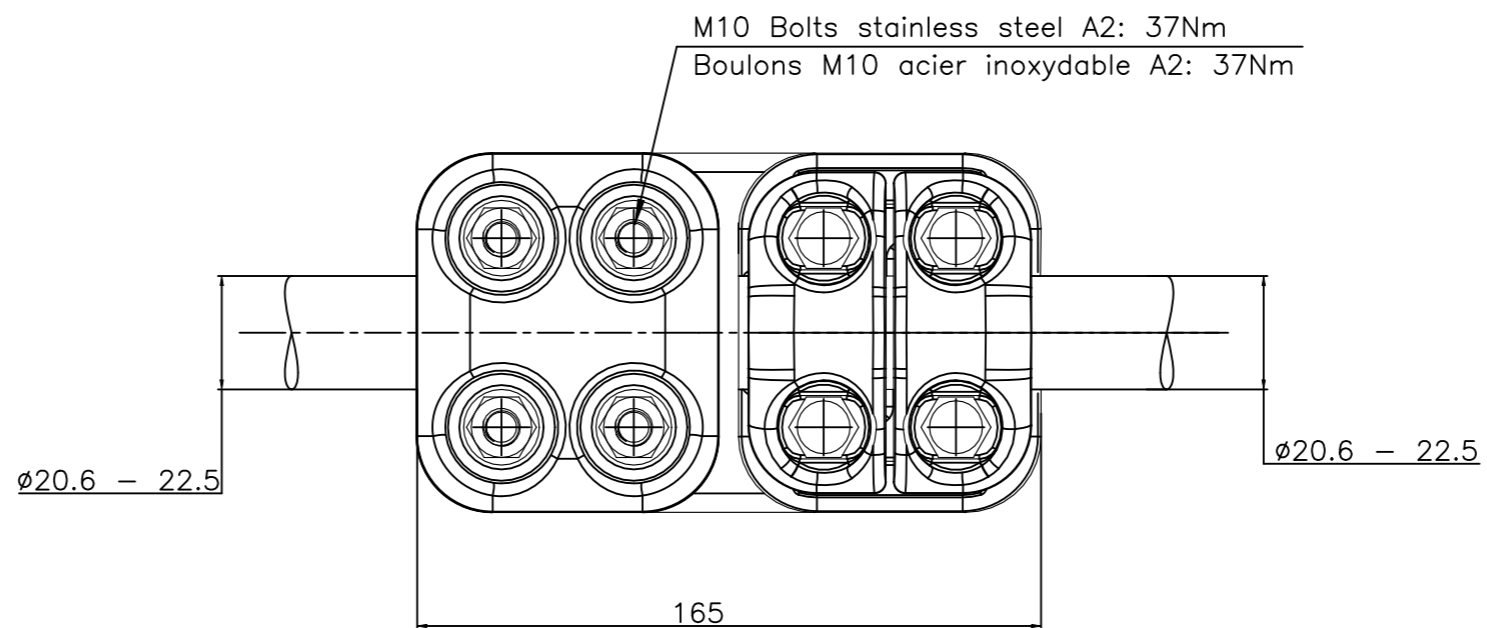
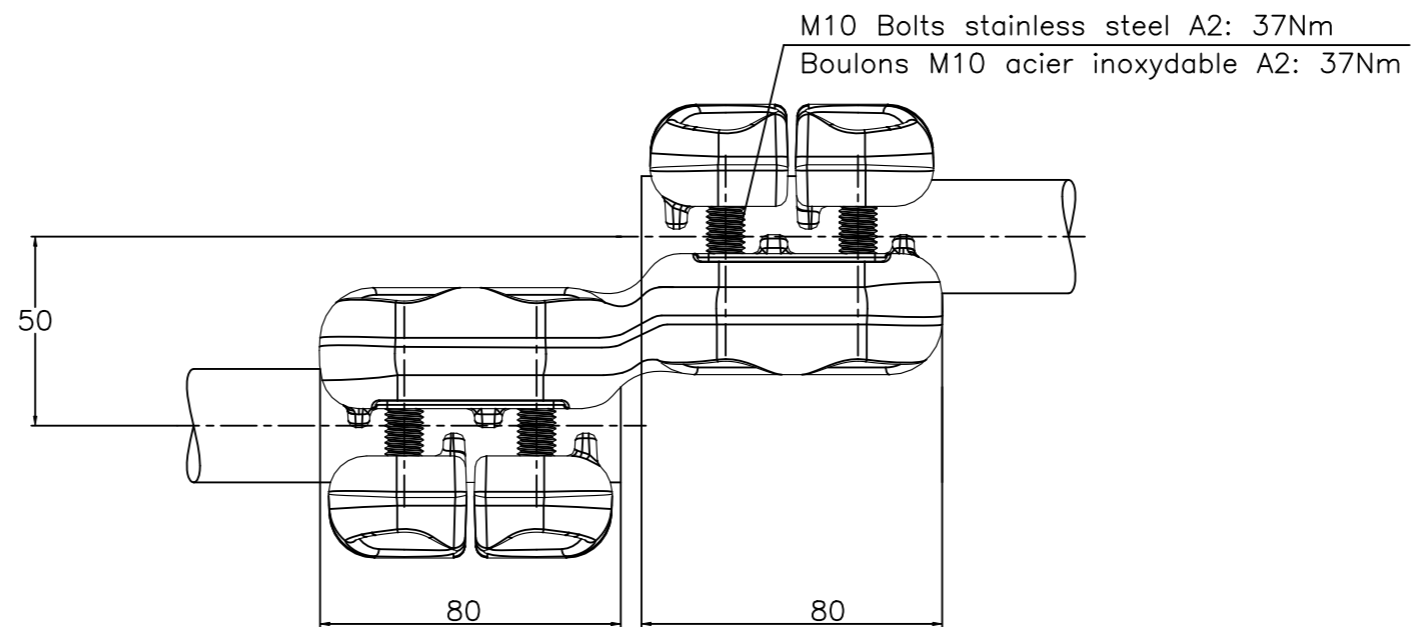


REVISIONS					
P	LTR	DESCRIPTION	DATE	DWN	APVD
	A	CREATION	10-FEV-21	MP	-



THIS DRAWING IS A CONTROLLED DOCUMENT.		DWN PREVOT	10-FEV-21	<b>STE</b> TE Connectivity	
DIMENSIONS: mm		CHK -	APVD -		
TOLERANCES UNLESS OTHERWISE SPECIFIED:		PRODUCT SPEC 108-69096-001		APVD -	
<ul style="list-style-type: none"> <li>0 PLC ± -</li> <li>1 PLC ± -</li> <li>2 PLC ± -</li> <li>3 PLC ± -</li> <li>4 PLC ± -</li> <li>ANGLES ± -</li> </ul>		APPLICATION SPEC -		RESTRICTED TO -	
MATERIAL -		FINISH -		WEIGHT 1.8 kg	
		CUSTOMER DRAWING		SIZE A3	CAGE CODE 00779
		DRAWING NO C-2386858		SCALE 1:2	SHEET 1 OF 1
				REV A	