

THIS DRAWING IS UNPUBLISHED.

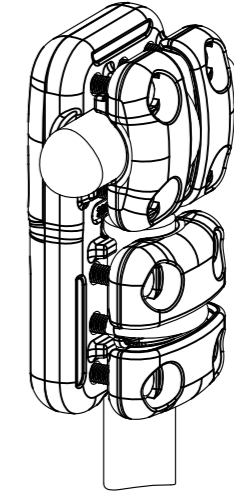
RELEASED FOR PUBLICATION

ALL RIGHTS RESERVED.

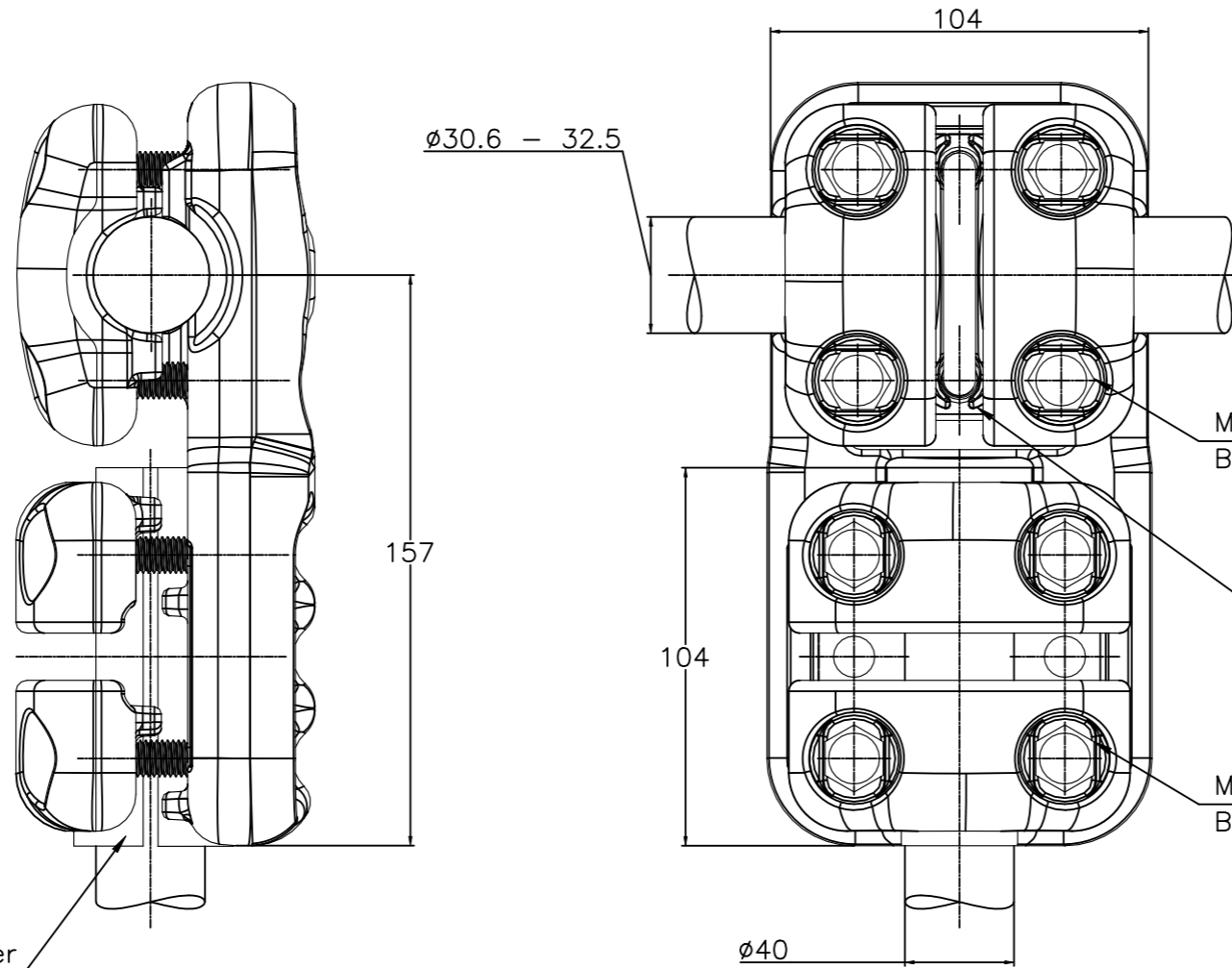
© COPYRIGHT - By -

REVISIONS

P	LTR	DESCRIPTION	DATE	DWN	APVD
	A	CREATION	19-FEB-21	GL	-



No scale - sans echelle



Bimetallic sleeve 42Diax40 alu/copper
 Fourrure bimétallique alu/cuivre $\phi 42 \times 40$

M10 Bolts stainless steel A2: 37Nm
 Boulons M10 acier inoxydable A2: 37Nm

M10 stainless steel U-Bolt A4: 37Nm
 Etrier M10 acier inoxydable A4: 37Nm

M10 Bolts stainless steel A2: 37Nm
 Boulons M10 acier inoxydable A2: 37Nm

THIS DRAWING IS A CONTROLLED DOCUMENT.		DWN	19-FEB-21		 TE Connectivity											
DIMENSIONS: mm		CHK	-													
TOLERANCES UNLESS OTHERWISE SPECIFIED:		APVD	-													
<table border="0"> <tr><td>0 PLC</td><td>± -</td></tr> <tr><td>1 PLC</td><td>± -</td></tr> <tr><td>2 PLC</td><td>± -</td></tr> <tr><td>3 PLC</td><td>± -</td></tr> <tr><td>4 PLC</td><td>± -</td></tr> <tr><td>ANGLES</td><td>± -</td></tr> </table>		0 PLC	± -	1 PLC		± -	2 PLC	± -	3 PLC	± -	4 PLC	± -	ANGLES	± -	PRODUCT SPEC	NAME
0 PLC	± -															
1 PLC	± -															
2 PLC	± -															
3 PLC	± -															
4 PLC	± -															
ANGLES	± -															
MATERIAL		APPLICATION SPEC	108-69096-001		TEE CONNECTOR											
-		FINISH	-		RACCORD EN TE											
ITEM:.....		APPROX.WEIGHT	2.4 kg	A300779	5 CT 82 MR325 MK405											
		CUSTOMER DRAWING	SCALE	1:2	SHEET 1 OF 1											
			DRAWING NO	C=2386760	RESTRICTED TO											
					REV A											