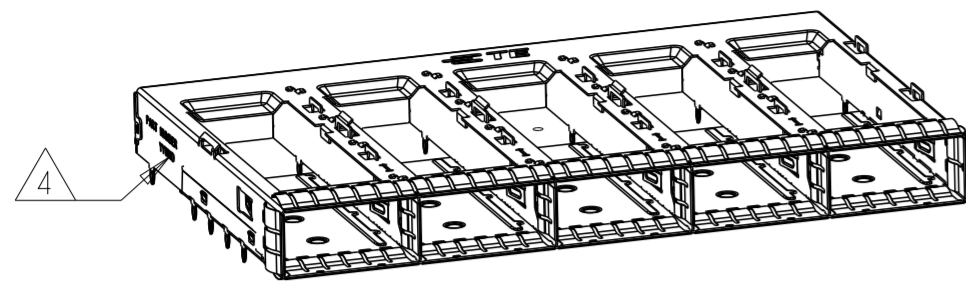
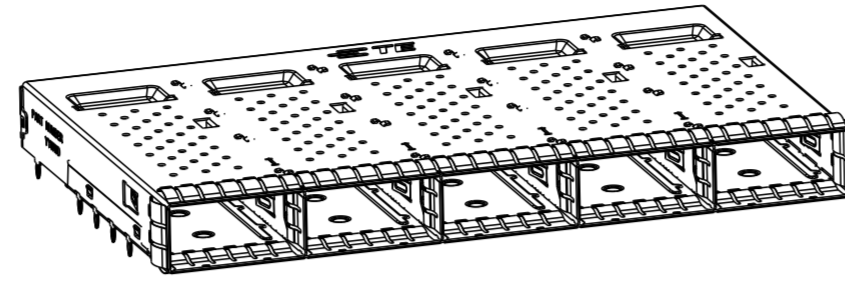


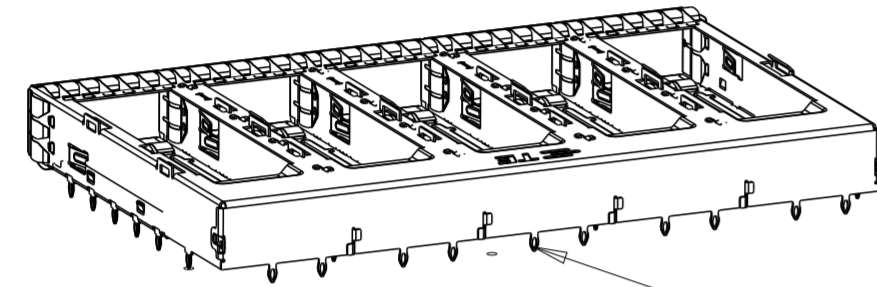
REVISIONS					
P	LTR	DESCRIPTION	DATE	DWN	APVD
A		INITIAL RELEASE	23SEP2022	VL	SZH
A1		REVISED PER ECN-23-227269	21AUG2023	RY	SZ



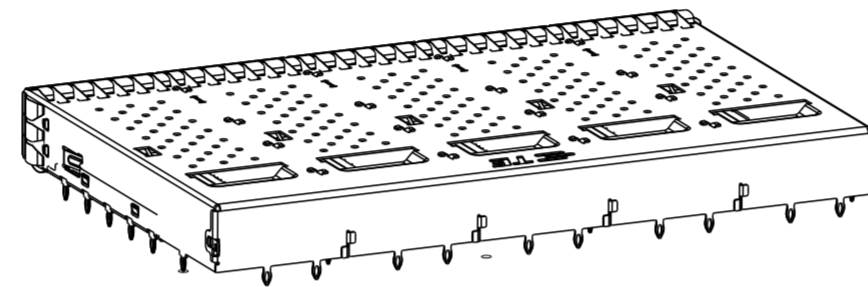
1-2386733-2 AS SHOWN
SCALE 1:1



2386733-1
SCALE 1:1

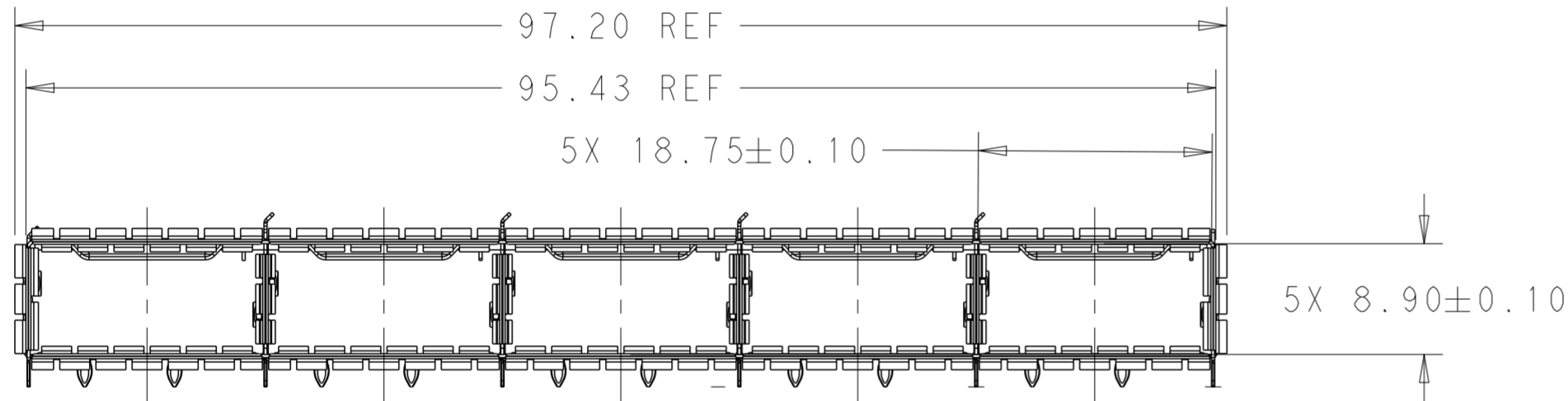


1-2386733-2 REAR EONS
SCALE 1:1

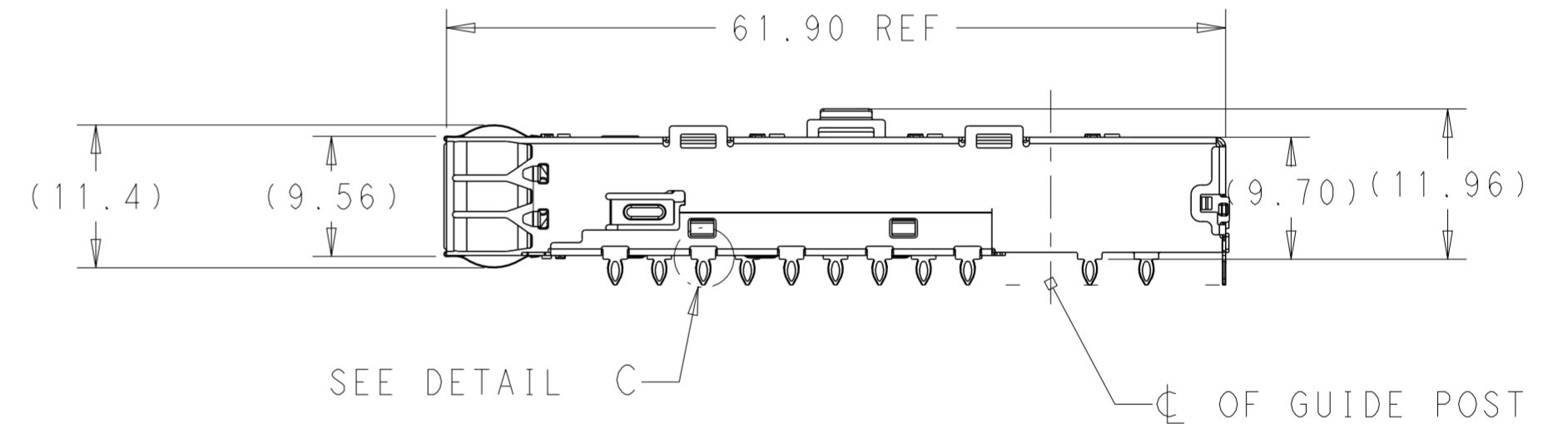


2386733-1
SCALE 1:1

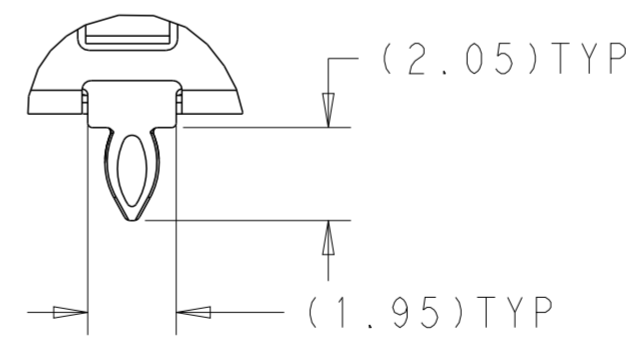
- 1. CAGE ASSEMBLY: STAINLESS STEEL.
EMI SPRING: COPPER ALLOY/NICKEL PLATE.
- 2. REFERENCE APPLICATION SPECIFICATION 114-32023 FOR RECOMMENDED DRILL HOLE DIAMETER AND PLATING THICKNESS. BOARD LAYOUT PER THIS PRINT.
- 3. DATUM AND BASIC DIMENSION ESTABLISHED BY CUSTOMER.
- 4. DATE CODE (YYWWD) MARKED APPROXIMATELY AS SHOWN.
- 5. MATES WITH QSFP DD MSA COMPATIBLE TRANSCEIVER.
- 6. MINIMUM PC BOARD THICKNESS: SINGLE SIDED: 1.45 MIN
DOUBLE SIDED: 2.20 MIN
- 7. ONLY FOR VERSION WITH REAR EONS



SCALE 2:1

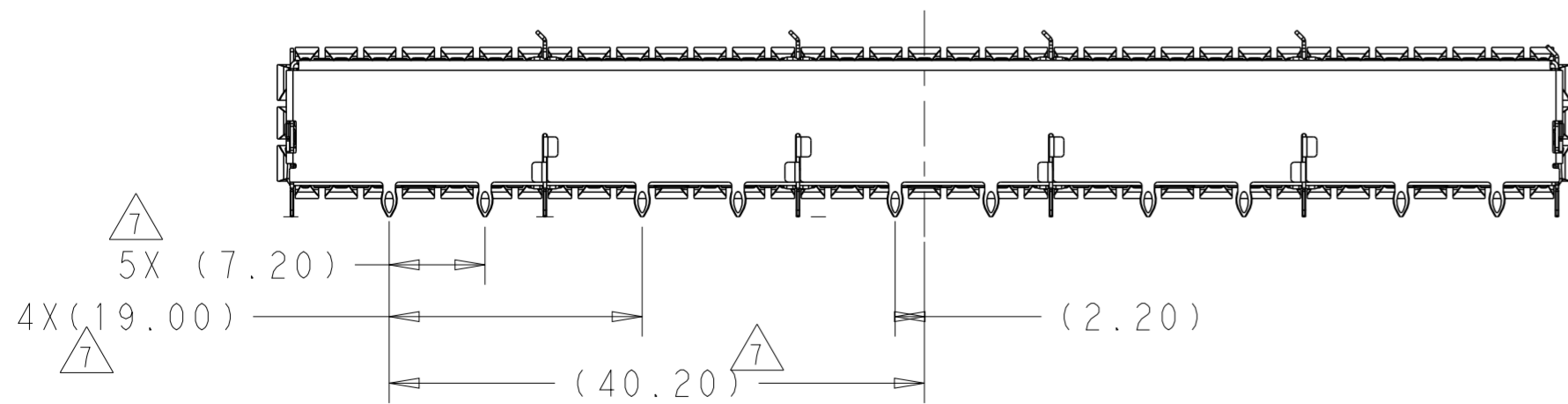


SEE DETAIL C



DETAIL C
APPLIED TO ALL EONS
SCALE 6:1

HS OPENING	0	1-2386733-5
CLOSED TOP	0	1-2386733-1
HS OPENING	2 PER PORT	1-2386733-2
CLOSED TOP	2 PER PORT	2386733-1
REMARK	REAR EON#	PART NUMBER

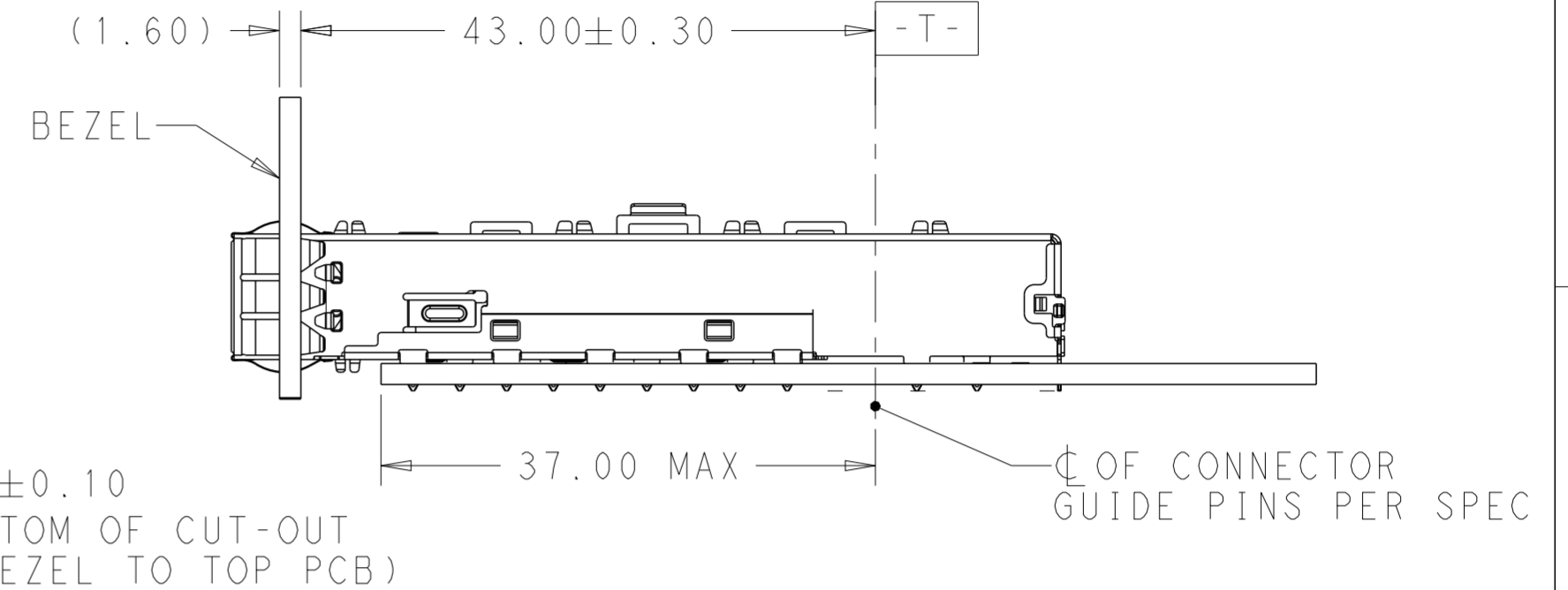
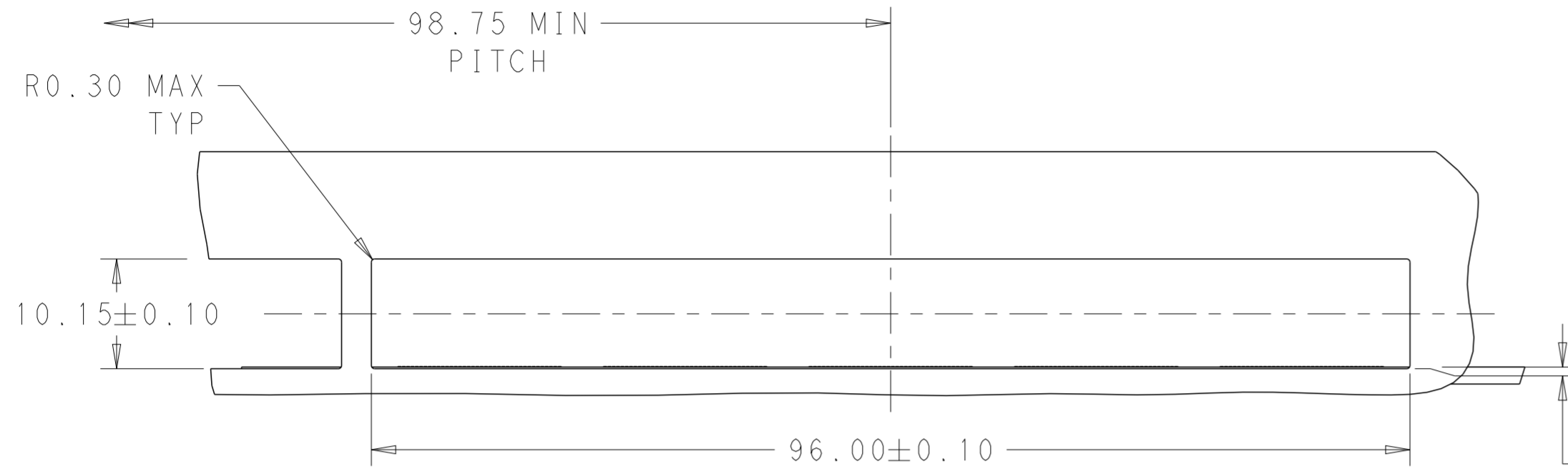


BACK VIEW
SCALE 2:1

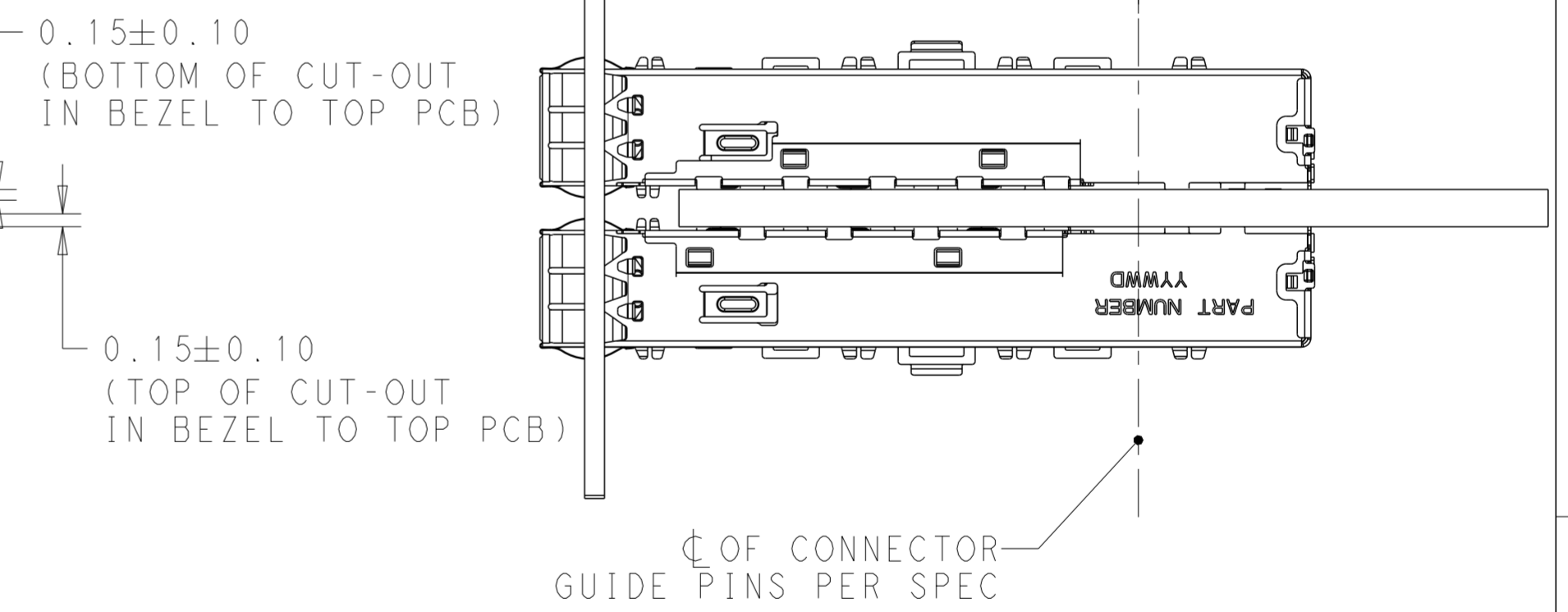
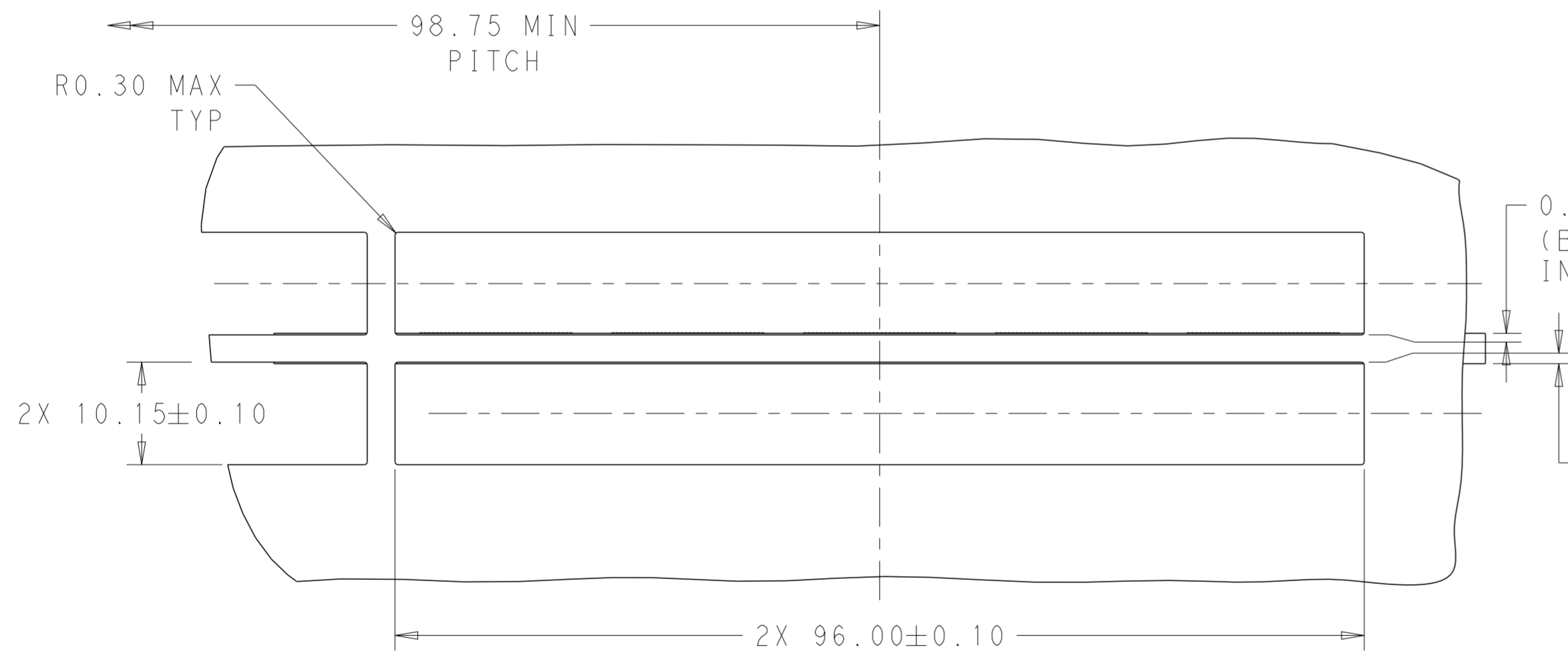
DIMENSIONS:		TOLERANCES UNLESS OTHERWISE SPECIFIED:		APVD		NAME	
mm		0 PLC	±	DWN	VINDY LIU	RECEPTACLE CAGE ASSEMBLY THRU BEZEL, 1X5, QSFP112	
		1 PLC	±0.25	CHK	SZH	-	
		2 PLC	±0.2	APVD	SZH	-	
		3 PLC	±	PRODUCT SPEC		-	
		4 PLC	±	APPLICATION SPEC		-	
		ANGLES	±	WEIGHT		-	
		FINISH	±	CUSTOMER DRAWING		-	
MATERIAL	SEE NOTES	FINISH	SEE NOTES	SCALE	1:1	SHEET	1 OF 5
				REV	A1		

THIS DRAWING IS UNPUBLISHED. RELEASED FOR PUBLICATION 20
 © COPYRIGHT 20 BY - ALL RIGHTS RESERVED.

REVISIONS				
P	LTR	DESCRIPTION	DATE	APVD
-	-	SEE SHEET 1	-	-



SINGLE SIDE MOUNTING
SCALE 2:1

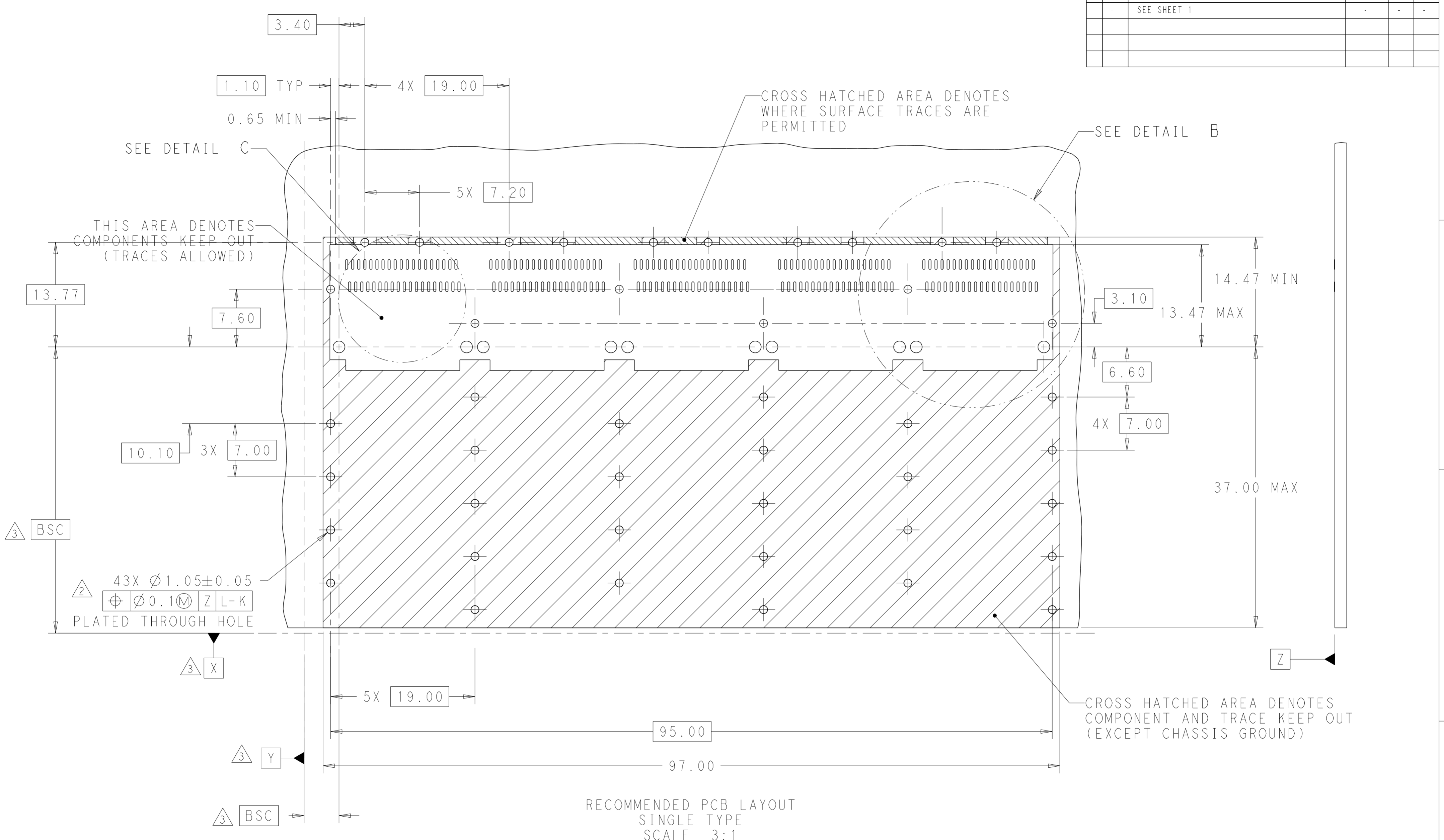


BELLY TO BELLY MOUNTING
SCALE 2:1

THIS DRAWING IS A CONTROLLED DOCUMENT.		DWN VINDY LIU 14JAN2022	TE Connectivity	
DIMENSIONS: mm		CHK SZH 14JAN2022		
TOLERANCES UNLESS OTHERWISE SPECIFIED:		APVD SZH 14JAN2022	NAME RECEPTACLE CAGE ASSEMBLY THRU BEZEL, 1X5, QSFP112	
0 PLC ±	1 PLC ±0.25	PRODUCT SPEC -	SIZE A2	CAGE CODE 00779
2 PLC ±0.2	3 PLC ±	APPLICATION SPEC -	DRAWING NO C-2386733C	RESTRICTED TO -
4 PLC ±	ANGLES ±	WEIGHT -	SCALE 1:1	SHEET 2 OF 5
MATERIAL SEE NOTES	FINISH SEE NOTES	CUSTOMER DRAWING	REV A1	

THIS DRAWING IS UNPUBLISHED. RELEASED FOR PUBLICATION 20
 © COPYRIGHT 20 BY - ALL RIGHTS RESERVED.

REVISIONS				
P	LTR	DESCRIPTION	DATE	APVD
-	-	SEE SHEET 1	-	-

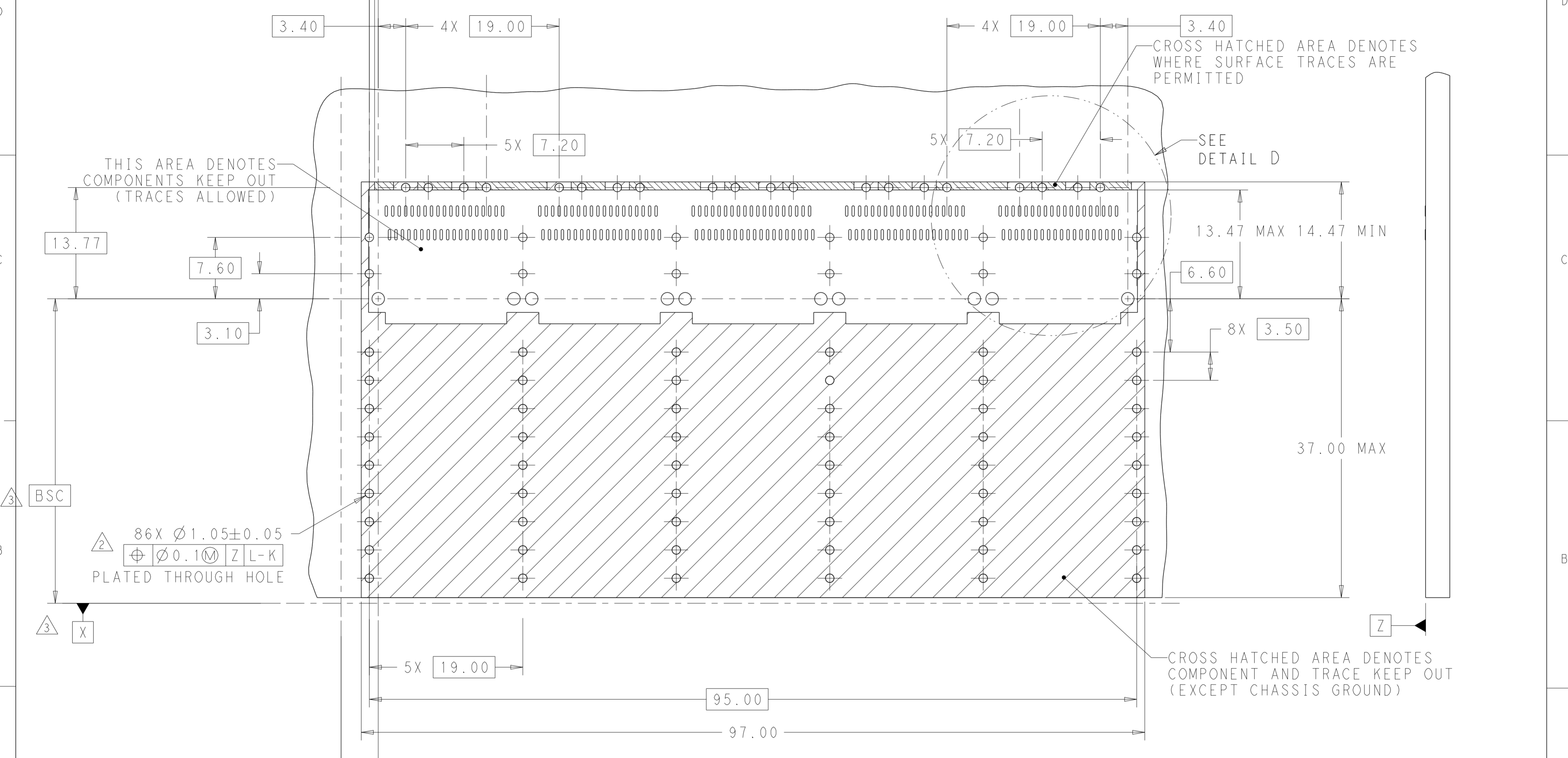


RECOMMENDED PCB LAYOUT
 SINGLE TYPE
 SCALE 3:1

THIS DRAWING IS A CONTROLLED DOCUMENT.		DWN VINDY LIU 14JAN2022	TE Connectivity		
DIMENSIONS: mm		CHK SZH 14JAN2022			
TOLERANCES UNLESS OTHERWISE SPECIFIED: 0 PLC ±- 1 PLC ±0.25 2 PLC ±0.2 3 PLC ±- 4 PLC ±- ANGLES ±- FINISH ±-		APVD SZH 14JAN2022	NAME RECEPTACLE CAGE ASSEMBLY THRU BEZEL, 1X5, QSFP112		
MATERIAL SEE NOTES		PRODUCT SPEC -	SIZE A2	CAGE CODE 00779	DRAWING NO C-2386733C
SEE NOTES		APPLICATION SPEC -	RESTRICTED TO -	SCALE 1:1	SHEET 3 OF 5
-		WEIGHT -	CUSTOMER DRAWING	REV A1	

THIS DRAWING IS UNPUBLISHED. RELEASED FOR PUBLICATION 20
 © COPYRIGHT 20 BY - ALL RIGHTS RESERVED.

REVISIONS				
P	LTR	DESCRIPTION	DATE	APVD
-	-	SEE SHEET 1	-	-

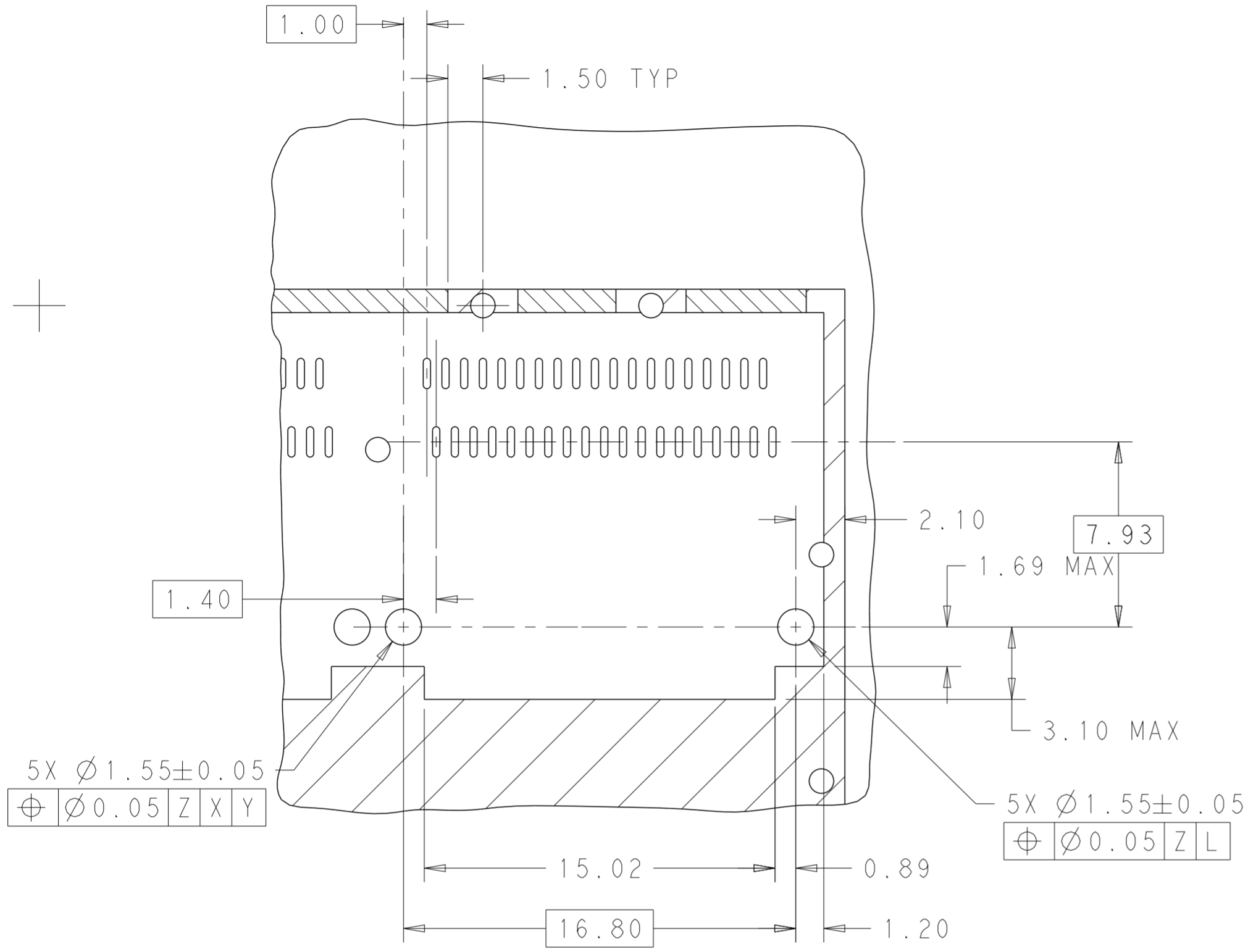


RECOMMENDED PCB LAYOUT
 BELLY TO BELLY
 SCALE 3:1

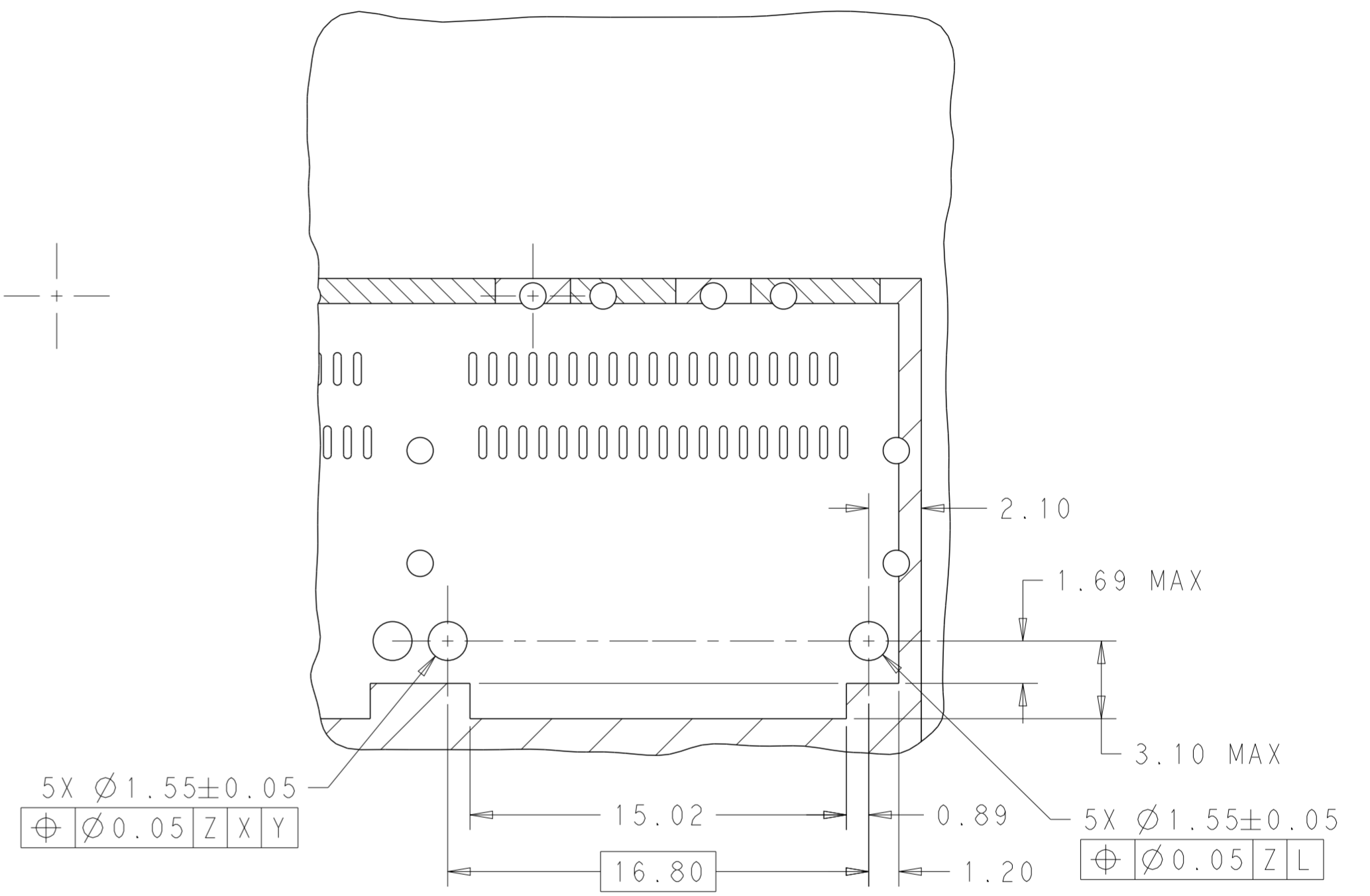
THIS DRAWING IS A CONTROLLED DOCUMENT.		DWN VINDY LIU 14JAN2022	TE Connectivity
DIMENSIONS: mm		CHK SZH 14JAN2022	
		APVD SZH 14JAN2022	
TOLERANCES UNLESS OTHERWISE SPECIFIED:		PRODUCT SPEC	NAME RECEPTACLE CAGE ASSEMBLY THRU BEZEL, 1X5, QSFP112
MATERIAL SEE NOTES		APPLICATION SPEC	SIZE CAGE CODE DRAWING NO RESTRICTED TO
FINISH SEE NOTES		WEIGHT	A200779 C-2386733C
-		CUSTOMER DRAWING	SCALE 1:1 SHEET 4 OF 5 REV A1

THIS DRAWING IS UNPUBLISHED. RELEASED FOR PUBLICATION 20
 © COPYRIGHT 20 BY - ALL RIGHTS RESERVED.

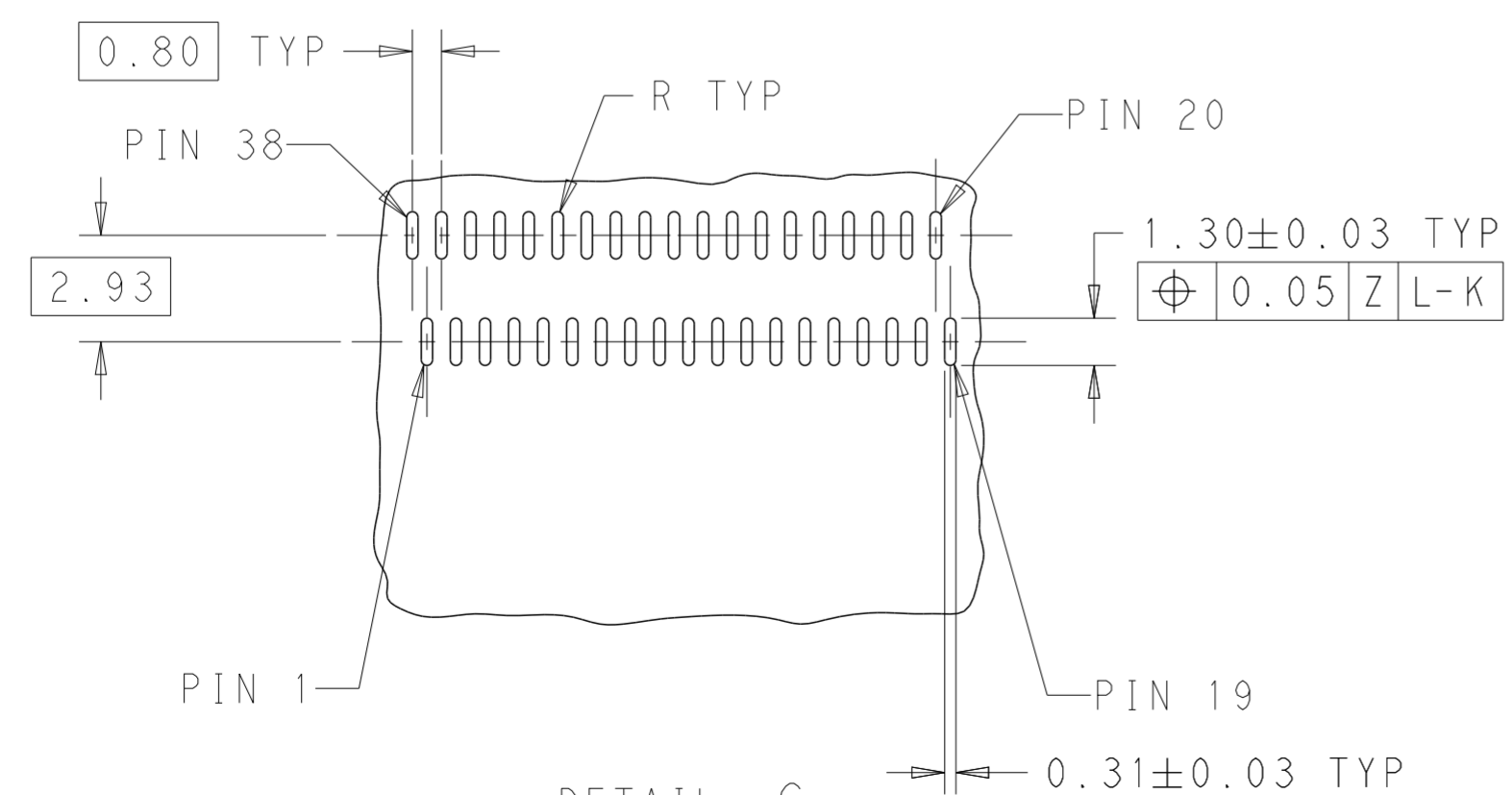
REVISIONS				
P	LTR	DESCRIPTION	DATE	APVD
-	-	SEE SHEET 1	-	-



DETAIL B
SCALE 5:1



DETAIL D
SCALE 5:1



DETAIL C
SCALE 5:1

THIS DRAWING IS A CONTROLLED DOCUMENT.		DWN VINDY LIU 14JAN2022	TE Connectivity	
DIMENSIONS: mm		CHK SZH 14JAN2022		
TOLERANCES UNLESS OTHERWISE SPECIFIED:		APVD SZH 14JAN2022	NAME RECEPTACLE CAGE ASSEMBLY THRU BEZEL, 1X5, QSFP112	
0 PLC ±	1 PLC ±0.25	PRODUCT SPEC -	SIZE A2	CAGE CODE 00779
2 PLC ±0.2	3 PLC ±	APPLICATION SPEC -	DRAWING NO C-2386733C	RESTRICTED TO -
4 PLC ±	ANGLES ±	WEIGHT -	SCALE 1:1	SHEET 5 OF 5
MATERIAL SEE NOTES	FINISH SEE NOTES	CUSTOMER DRAWING	REV A1	