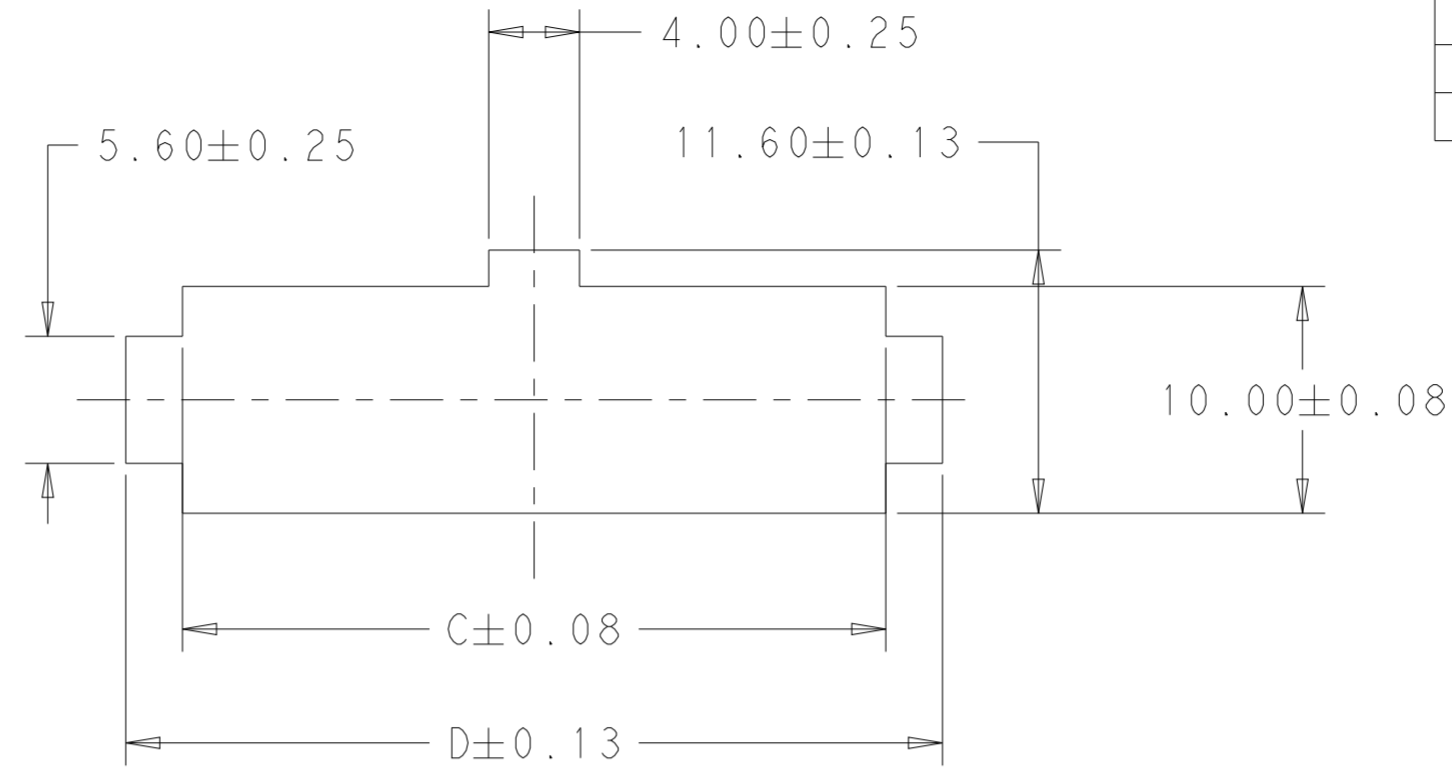
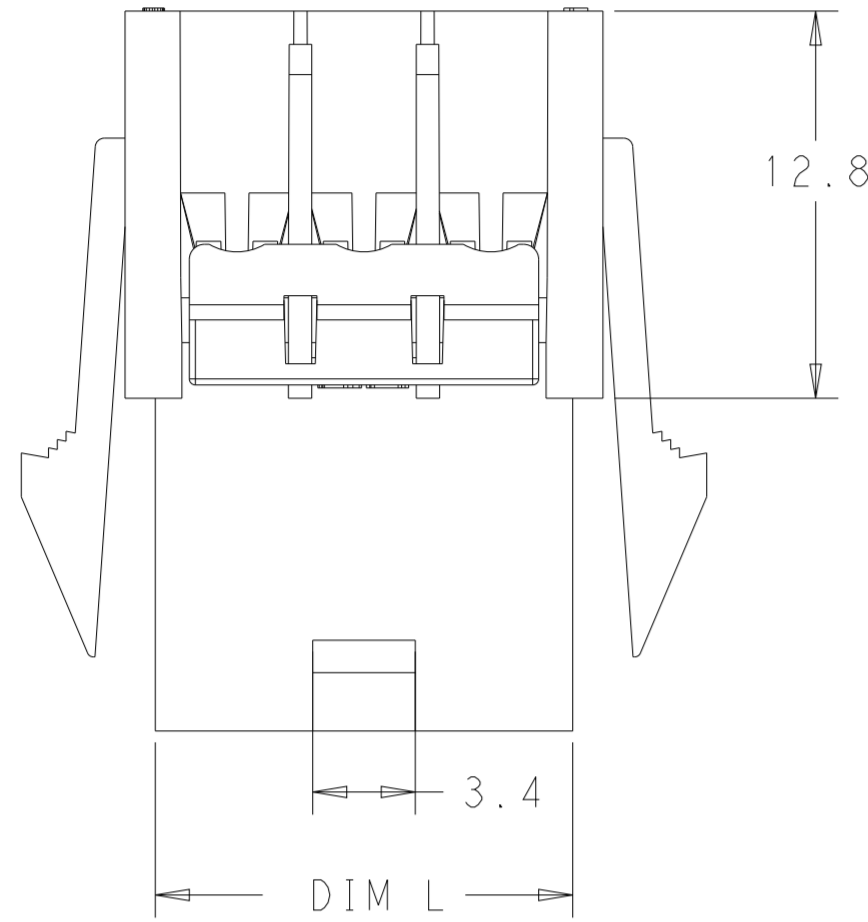
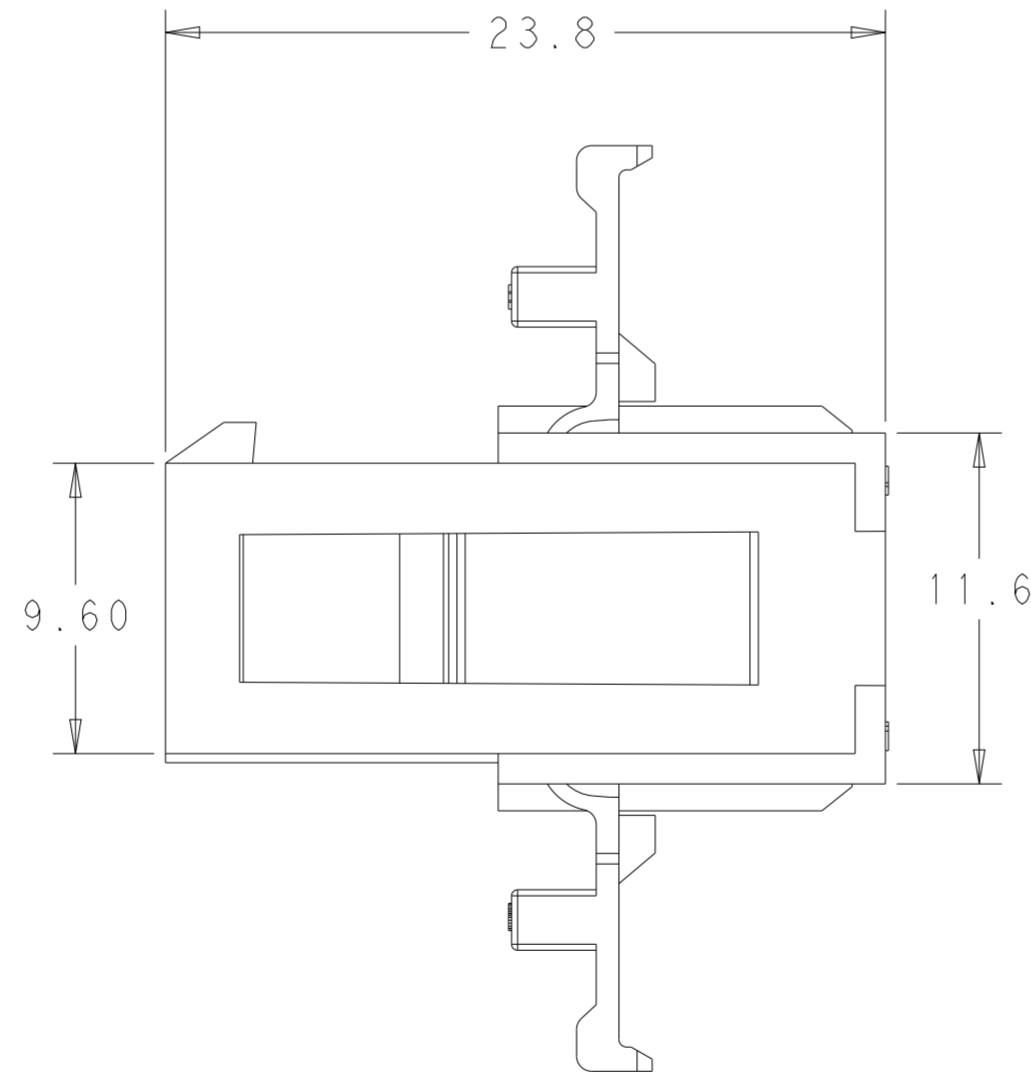
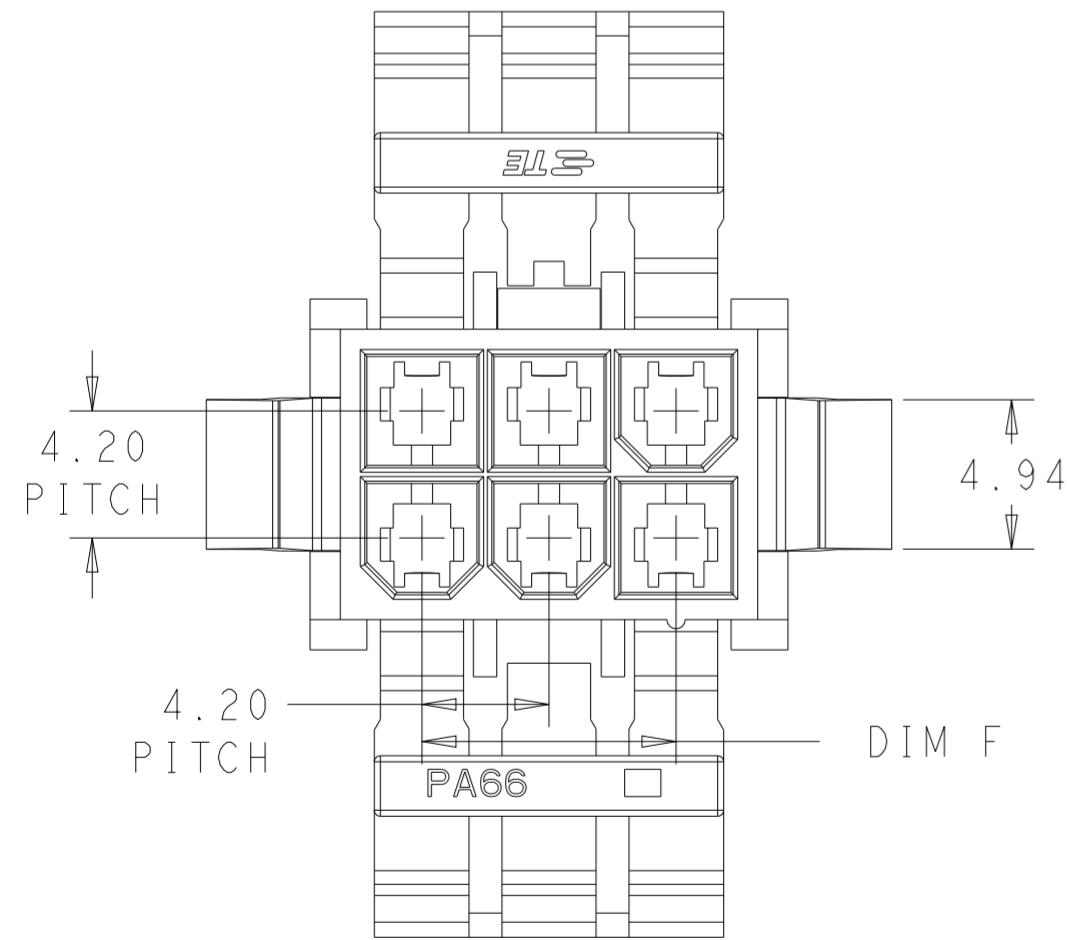


THIS DRAWING IS UNPUBLISHED. RELEASED FOR PUBLICATION 20
 © COPYRIGHT 20 BY - ALL RIGHTS RESERVED.

REVISIONS					
P	LTR	DESCRIPTION	DATE	DWN	APVD
A		REVISED PER ECN-22-174528	19OCT2022	WH	LC



RECOMMENDED CUT-OUT FOR
2.00 MAX THICK PANEL



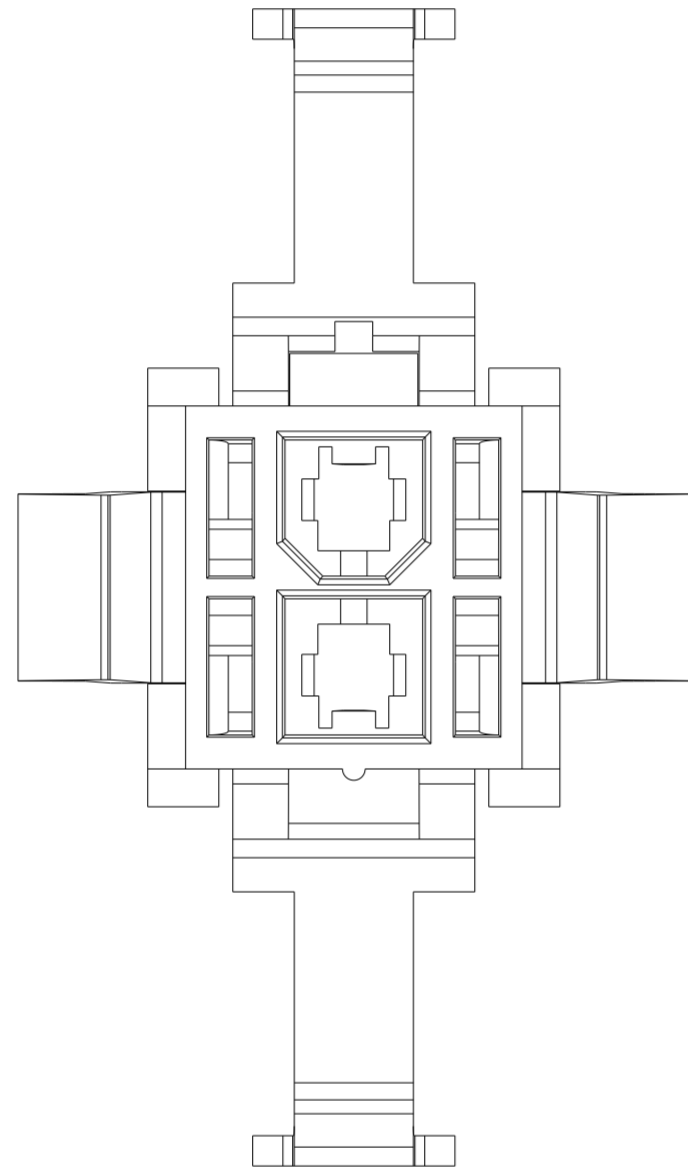
- 1 MATERIAL: PA66, UL94V-0, COLOR: NATURAL
- 2 PANEL MUST BE PUNCHED OUT SO THAT THE HOUSING ENTERS THE PANEL IN THE SAME DIRECTION AS THE PUNCH.
- 3 DIMENSIONS SHOWN REPRESENT PRODUCT IN DRY, AS MOLDED.
- 4 THIS HOUSING ACCEPTS TERMINAL: 2238018-1/2238016-1. MATING RECEPTACLE: 2385532-*
- 5 PACKAGING: LOOSE PIECE
- 6 PER IEC 60335-1 SECT. 30, GWEPT 750°C, NO FLAME or Te-Ti≤2S

19.20	14.20	8.40	13.80	6	2385533-6
15.00	10.00	4.20	9.60	4	2385533-4
14.30	9.30	--	8.90	2	2385533-2
DIM D	DIM C	DIM F	DIM L	NO. OF POS	PART NO.

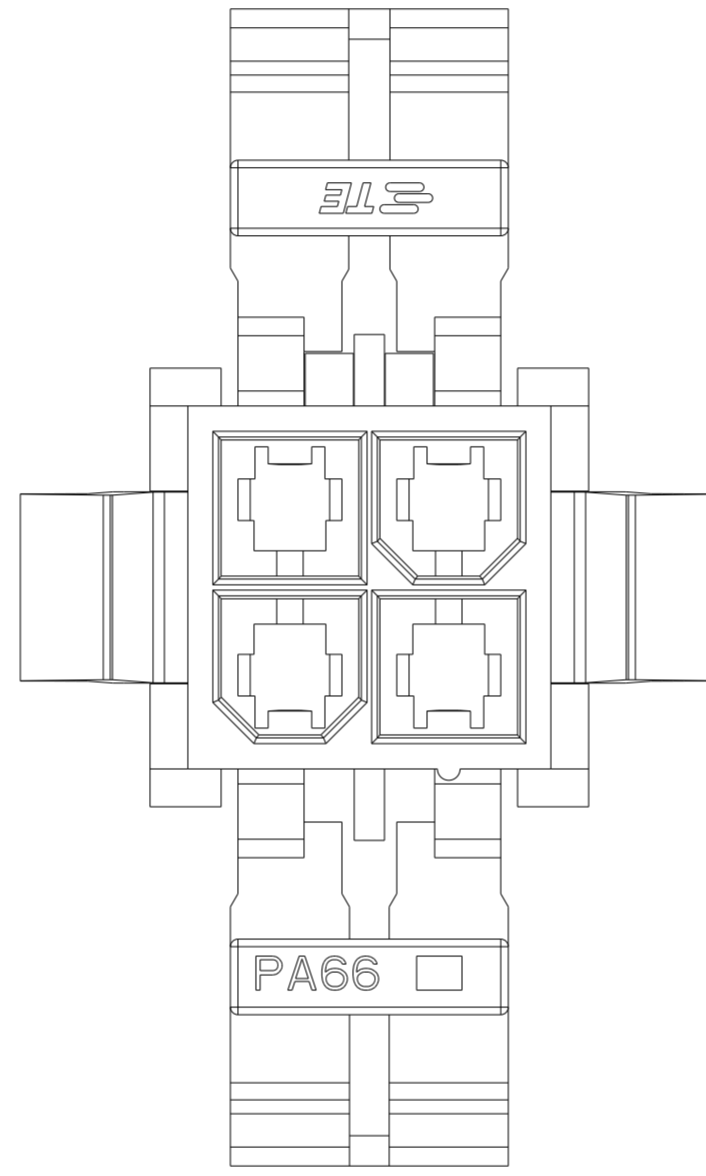
THIS DRAWING IS A CONTROLLED DOCUMENT.		DWN W. HUO	19OCT2022	TE Connectivity	
DIMENSIONS: mm		CHK L. CHEN	20OCT2022		
TOLERANCES UNLESS OTHERWISE SPECIFIED:		APVD D. ZHANG	21OCT2022		
0 PLC ± 1 PLC ±0.35 2 PLC ±0.25 3 PLC ± 4 PLC ± ANGLES ±3° FINISH		NAME D. ZHANG	PRODUCT SPEC 108-160744		
MATERIAL		APPLICATION SPEC 114-160449	WEIGHT -	SIZE A2	CAGE CODE 00779
		CUSTOMER DRAWING	SCALE N/A	DRAWING NO. C-2385533	RESTRICTED TO -
		SHEET 1 OF 2		REV A	

THIS DRAWING IS UNPUBLISHED. RELEASED FOR PUBLICATION 20
 © COPYRIGHT 20 BY - ALL RIGHTS RESERVED.

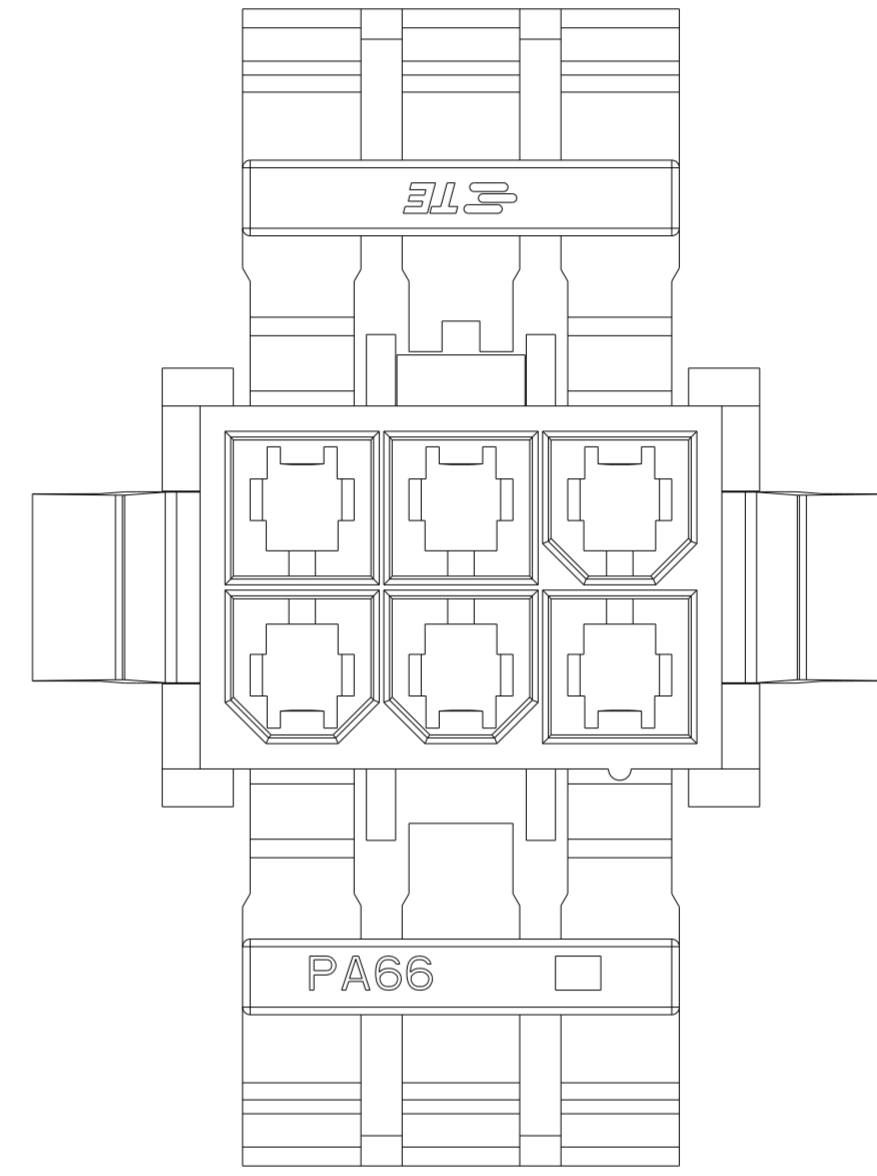
LOC	DIST	REVISIONS				
P	LTR	DESCRIPTION	DATE	DWN	APVD	
AF	-	SEE SHEET 1	-	-	-	




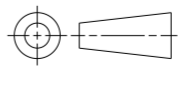
2P



4P



6P

THIS DRAWING IS A CONTROLLED DOCUMENT.		DWN W. HUO	19OCT2022	 TE Connectivity	
DIMENSIONS: mm		CHK L. CHEN	20OCT2022		
TOLERANCES UNLESS OTHERWISE SPECIFIED:		APVD D. ZHANG	21OCT2022	NAME PLUG HOUSING, GWT, PANEL MOUNT INTEGRATED TPA DUAL ROW, VAL-U-LOK	
		PRODUCT SPEC	108-160744	SIZE	
0 PLC ± 1 PLC ±0.35 2 PLC ±0.25 3 PLC ± 4 PLC ± ANGLES ± FINISH ±3°		APPLICATION SPEC	114-160449	CAGE CODE	DRAWING NO
MATERIAL		WEIGHT	-	A200779	C-2385533
		CUSTOMER DRAWING	SCALE N/A	SHEET 2 OF 2	REV A