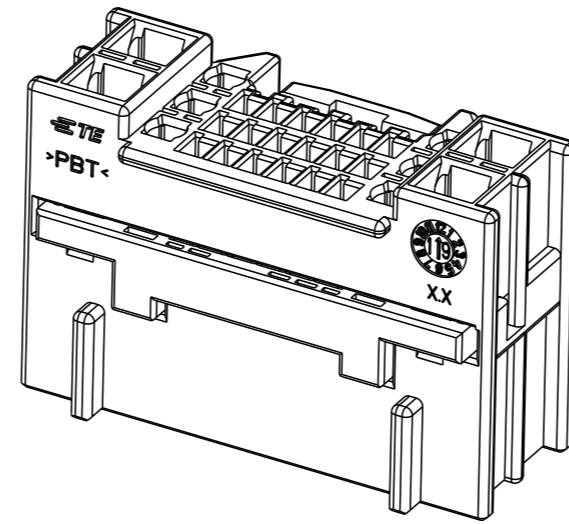
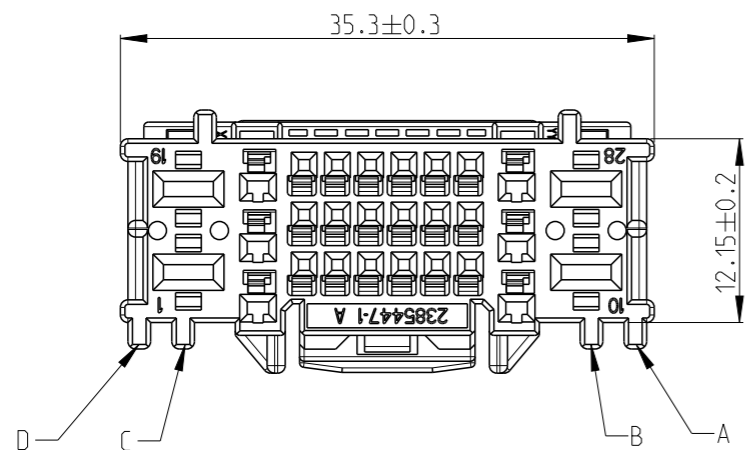
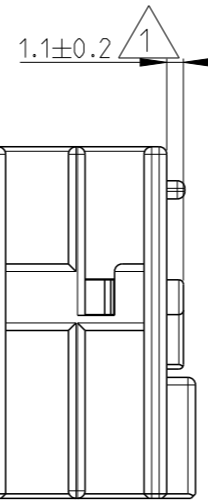
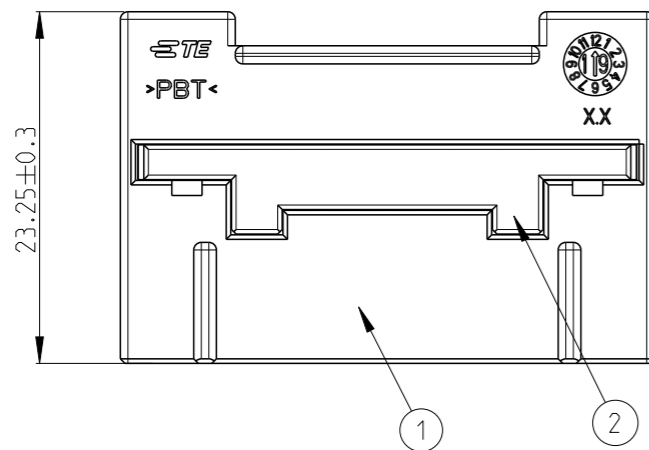


P	LTR	DESCRIPTION	DATE	DWN	APVD
A		PRELIMINARY RELEASE	25MAY21	T.D	J.Z
A1		NEW CODING ADDED	30DEC21	T.D	J.Z
A2		NOTE 1 UPDATED	18SEP22	T.D	J.Z
A3		ECN-23-193194 ASSY P/N UPDATE	10JAN23	H.H	J.Z

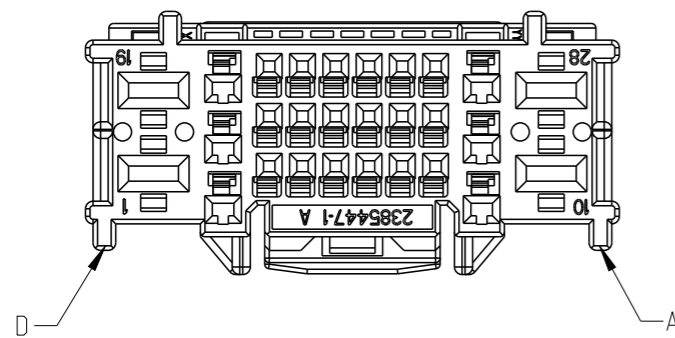


NOTES

- 1 RETAINER IN PRE-LOCK POSITION FOR DELIVERY. PLEASE SET RETAINER TO PRE-LOCK POSITION IF RETAINER IS NOT AT RIGHT POSITION BEFORE TERMINAL ASSEMBLY
- 2 MATE WITH TAB HOUSING 2385449
- 3 SUITABLE CONTACT
REFER DRAWING 2389205 FOR 0.64MM TERMINAL
REFER DRAWING 2296537 FOR 1.2MM TERMINAL
REFER DRAWING 1241437 FOR 2.8MM TERMINAL



CODING A,D FOR EXAMPLE



ASSY P/N	CODING	MATERIAL	COLOR	DESCRIPTION	QTY	ITEM
2385446-4	B,D	PBT	NATURE	RETAINER	1	2
		PBT	GRAY	REC. HOUSING	1	1
2385446-3	A,C	PBT	NATURE	RETAINER	1	2
		PBT	GREEN	REC. HOUSING	1	1
2385446-2	B,C	PBT	NATURE	RETAINER	1	2
		PBT	NATURE	REC. HOUSING	1	1
2385446-1	A,D	PBT	NATURE	RETAINER	1	2
		PBT	BLACK	REC. HOUSING	1	1

THIS DRAWING IS A CONTROLLED DOCUMENT.		DWN T.DONG 25MAY2021	TE Connectivity REC. HOUSING ASSY., HYBRID 28POS.			
DIMENSIONS: mm		CHK J.ZONG 25MAY2021				
TOLERANCES UNLESS OTHERWISE SPECIFIED:		APVD	NAME			
0 PLC ±		PRODUCT SPEC	-			
1 PLC ±		108-160272	-			
2 PLC ±		APPLICATION SPEC	-			
3 PLC ±		114-160142	SIZE	CAGE CODE	DRAWING NO	RESTRICTED TO
4 PLC ±		WEIGHT	A3	00779	©=2385446	-
ANGLES ±		CUSTOMER DRAWING	SCALE 1:1		SHEET 1 OF 1	REV A3
MATERIAL SEE TABLE		FINISH SEE TABLE				