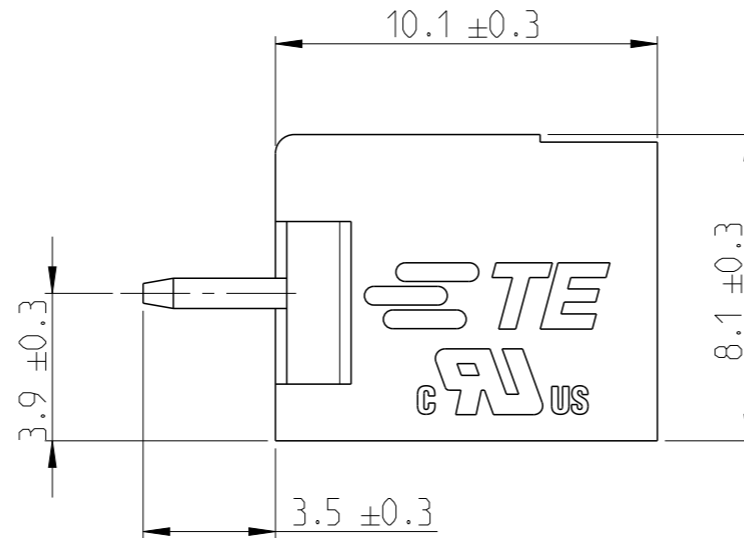
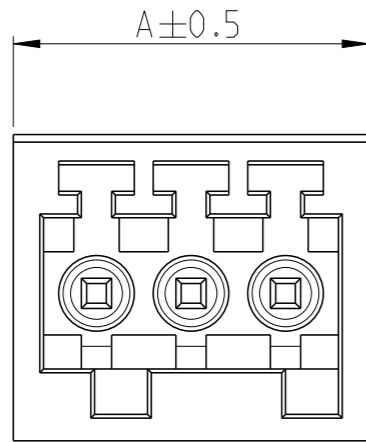
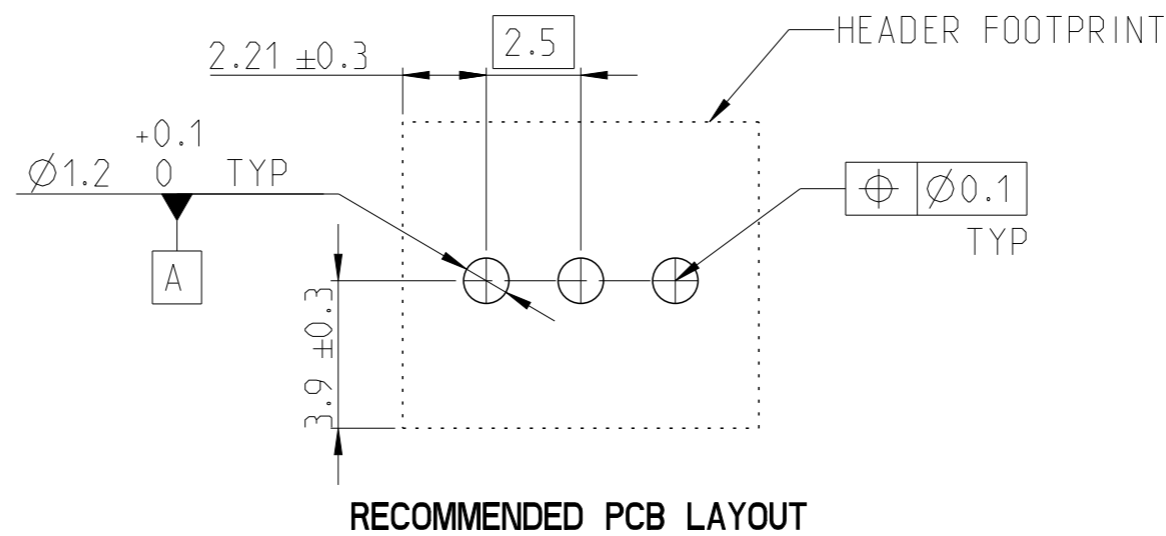
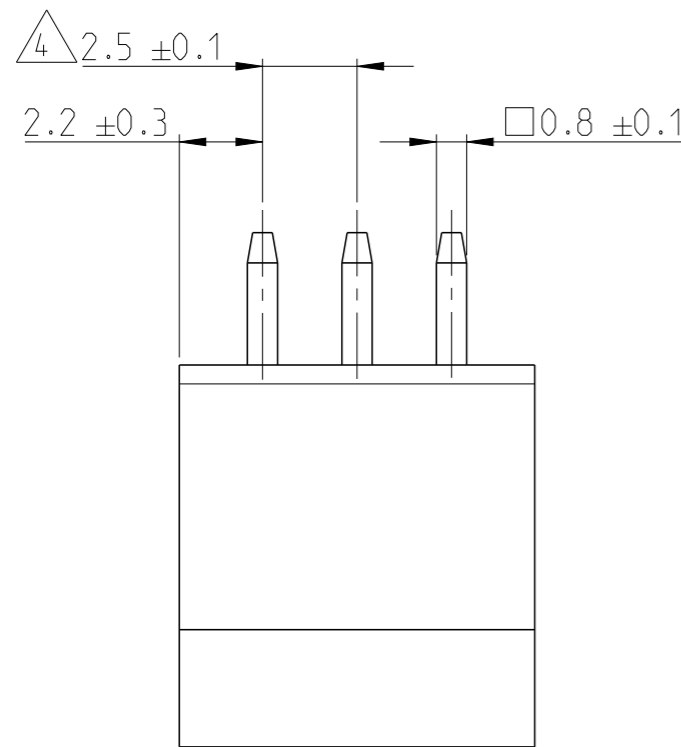


P	LTR	DESCRIPTION	DATE	DWN	APVD
	A	PRODUCTION RELEASE	19JAN2022	SCB	PS

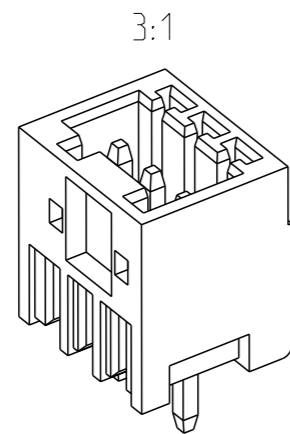


NOTES:

- 1 MATERIALS & FINISH
 HOUSING : PA66, UL94 V0, COLOR - LIGHT GREEN
 CONTACT : BRASS, TIN PLATED
- 2. ELECTRICAL
 RATED VOLTAGE : 150V
 RATED CURRENT : 4A
 INSULATION RESISTANCE : >2000 M Ohm (500V DC)
- 3. OPERATING TEMPERATURE RANGE : -40°C TO +105°C
- 4 TOLERANCE NOT CUMULATIVE



41.90	16	1-2385003-6
39.40	15	1-2385003-5
36.90	14	1-2385003-4
34.40	13	1-2385003-3
31.90	12	1-2385003-2
29.40	11	1-2385003-1
26.90	10	1-2385003-0
24.40	9	2385003-9
21.90	8	2385003-8
19.40	7	2385003-7
16.90	6	2385003-6
14.40	5	2385003-5
11.90	4	2385003-4
9.40	3	2385003-3
6.90	2	2385003-2
DIM A	NO. OF POS	TE PN



2385003-3 AS SHOWN

THIS DRAWING IS A CONTROLLED DOCUMENT.		DWN 11JAN2022 SHRICHARANA B	TE Connectivity	
DIMENSIONS: mm		CHK 11JAN2022 SUBHASREE S		
TOLERANCES UNLESS OTHERWISE SPECIFIED:		APVD 11JAN2022 PRASHANTH S	NAME TERMINAL BLOCK, 180 DEG HEADER, PITCH 2.5mm, TAIL LENGTH 3.8mm	
0 PLC ± 1 PLC ± 2 PLC ± 3 PLC ± 4 PLC ± ANGLES ±		PRODUCT SPEC 108-32299	SIZE A3	
MATERIAL		APPLICATION SPEC 114-32242	CAGE CODE 00779	DRAWING NO C-2385003
FINISH		WEIGHT -	RESTRICTED TO -	
		CUSTOMER DRAWING	SCALE 5:1	SHEET 1 OF 1
				REV A