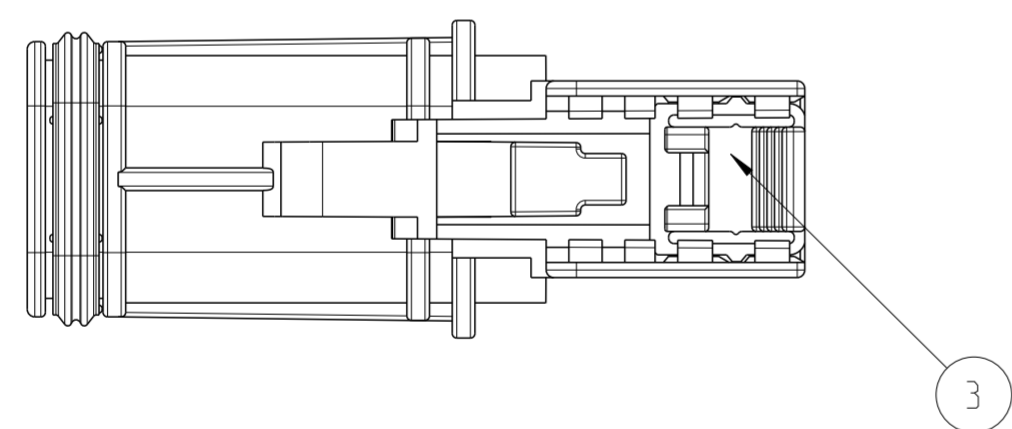
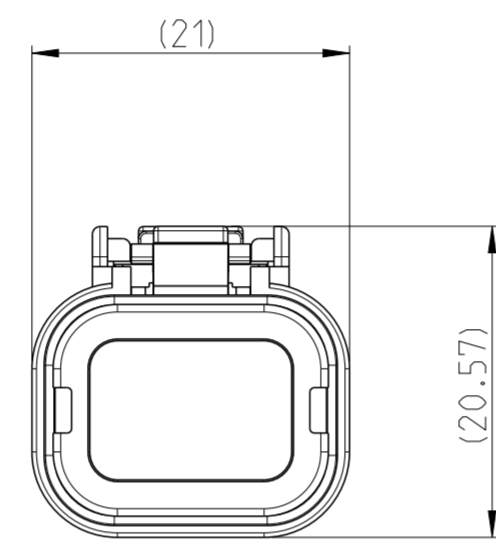
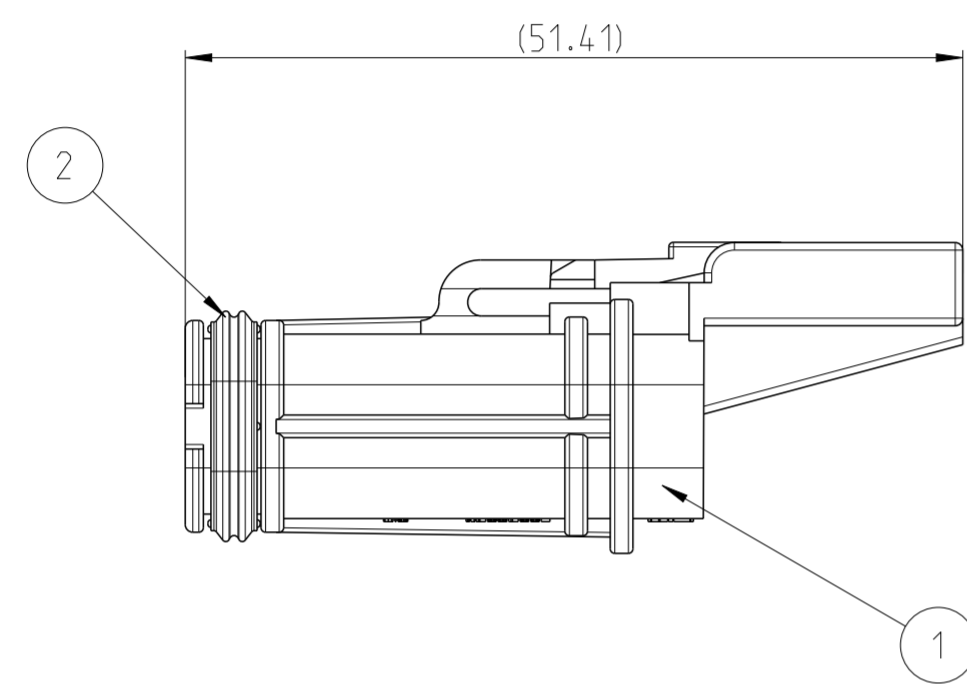
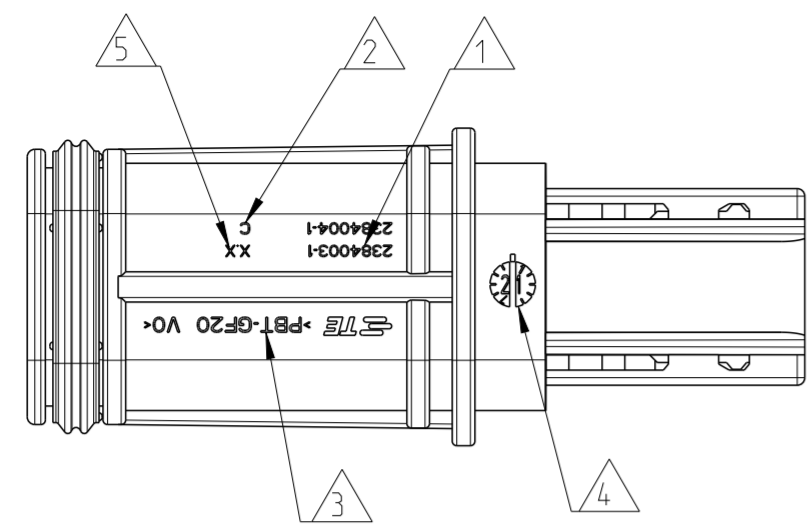


P	LTR	DESCRIPTION	DATE	DWN	APVD
C1		Seal design corrected	23JUN2022	KS	JB
D		SEE ECN-23-244588	13DEC2023	VP	W JR
D1		SEE ECR-24-199229	01FEB2024	VP	W JR
D2		ECR-24-201538	01MAR2024	VP	W JR



NOTES

Bemerkungen

- 1 TE CONNECTIVITY (TE) ORDER-NUMBER
TE Connectivity (TE) Bestellnummer
- 2 REVISION OF THE MOLD
Werkzeugaenderungsindex
- 3 MATERIAL MARKING ACCORDING TO VDA 260
Materialkennzeichnung nach VDA 260
- 4 PRODUCTION DATE
Produktionsdatum
- 5 MOLD CAVITY MARKING
Nestmarkierung
- 7 PACKAGING ACCORDING TO ICTAP007-ICT AND APPROVED BY TE
Verpackung nach ICTAP007-ICT und genehmigt von TE
- 8 SUITABLE TO INTERFACE 208-18176
Passend zu Schnittstelle 208-18176

D2

QTY REQD PER ASSY TCPN	PART/TCPN NO.	DESCRIPTION	COLOUR	ITEM NO.	
-	1	776467-1	CPA CPA	RED rot	3
-	1	2390719-1	Seal Dichtung	LIGHT BLUE blau	2
-	1	2384004-1	DT HIGHSPEED BLINDPLUG HOUSING DT Highspeed Blindstopfen Gehaeuse	BLACK schwarz	1
-	-1	PART/TCPN NO.	DESCRIPTION	COLOUR	ITEM NO.
-	D	REVISION OF EACH ASSY NO (WHEN BLANK, USE DWG REVISION)			
-	9.1	WEIGHT OF EACH ASSY NO (g)			

DIMENSION AND TOLERANCES ACCORDING TO:
Bemaßungen und Toleranzen gemäß:
DIN ISO 20457
DIN EN ISO 8015 (AD) - DIN EN ISO 291
DIN EN ISO 14405-1/-2/-3

THIS DRAWING IS A CONTROLLED DOCUMENT.

DWN	K. Schang	05MAR2021
CHK	S. Helm	10MAR2021
APVD	J. Barth	10MAR2021

STE TE Connectivity

NAME: DT HIGHSPEED Blind Plug Assy
DT Highspeed Blindstopfen Baugruppe

SIZE: A2 CAGE CODE: 100779 DRAWING NO: C-2384003 RESTRICTED TO: -

CUSTOMER DRAWING SCALE: 2:1 SHEET: 1 OF 1 REV: D2