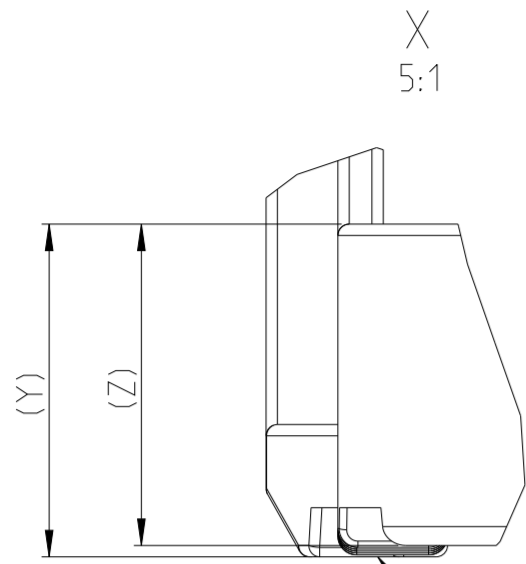
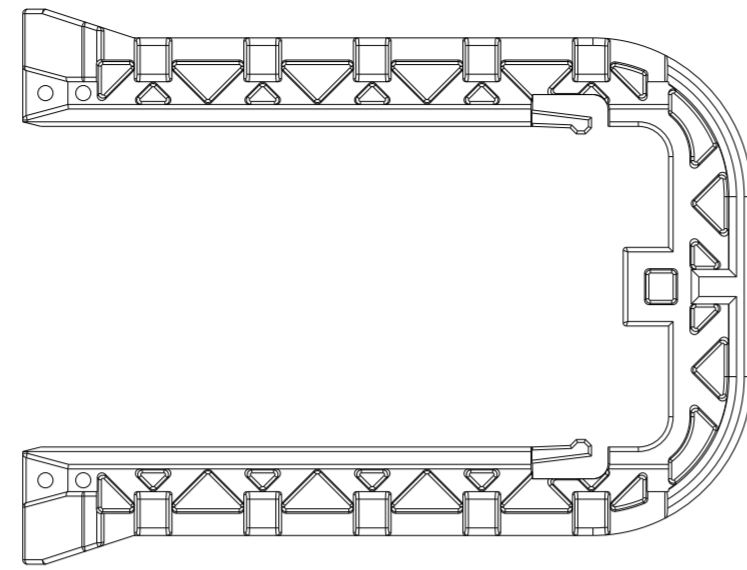


P	LTR	DESCRIPTION	DATE	DWN	APVD
A		New Drawing	01MAR2021	KS	JB
A1		Chamfer added	14MAR2022	KS	JB
A2		Version -1;-2;-5;-6 added	24MAY2022	KS	JB

2384002-3 AS SHOWN
2384002-3 wie gezeigt



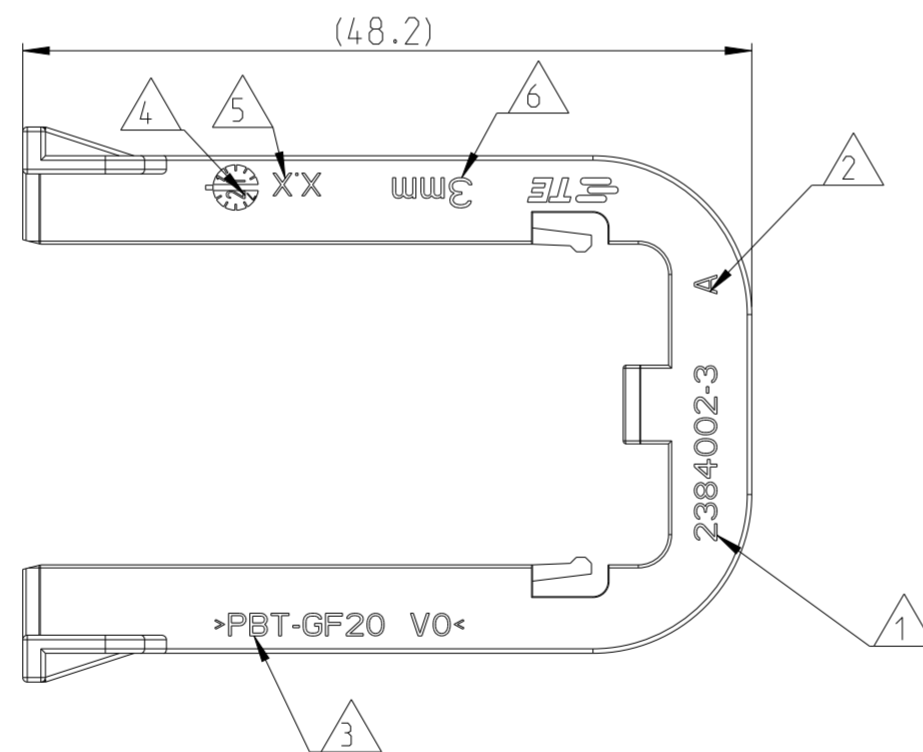
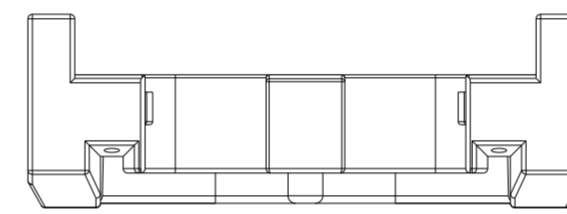
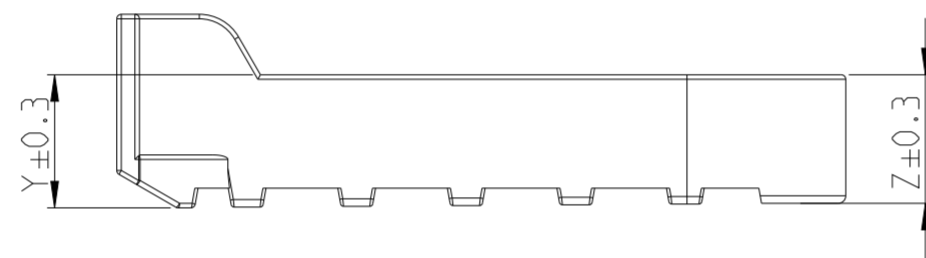
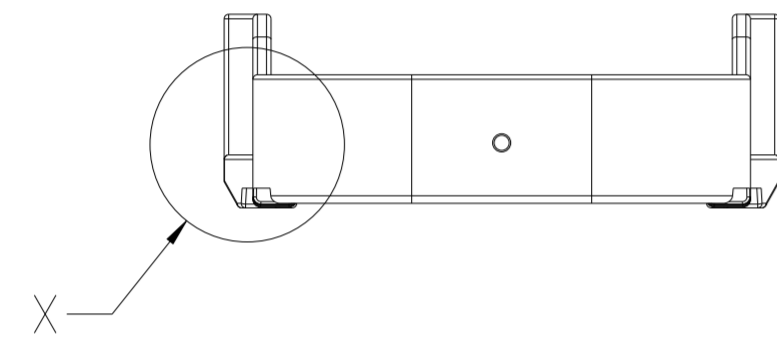
GEOMETRY GRADUALLY INCREASING FROM DIMENSION "Z" TO "Y"
Geometrie stufenweise ansteigend von Bemassung "Z" nach "Y"



NOTES

Bemerkungen

- 1 TE CONNECTIVITY (TE) ORDER-NUMBER
TE Connectivity (TE) Bestellnummer
- 2 REVISION OF THE MOLD
Werkzeugaenderungsindex
- 3 MATERIAL MARKING ACCORDING TO VDA 260
Materialkennzeichnung nach VDA 260
- 4 PRODUCTION DATE
Produktionsdatum
- 5 MOLD CAVITY MARKING
Nestmarkierung
- 6 MARKING FOR SUITABLE SHEET METAL THICKNESS (NOMINAL SIZE)
Kennzeichnung fuer passende Blechstaeke (Nennmass)
- 7 BULK PACKAGING IN PLASTIC BAG AND CORRUGATED SHIPPING BOX
Schuettgut in Plastikbeutel und Versandkarton
- 8 SUITABLE FOR BULKHEAD ASSY 238399
Passend zu Durchreiche Baugruppe 238399



A2	2384002-7	A	DT HIGH SPEED BULKHEAD SLIDER 1mm DT HIGH SPEED Durchreiche Schieber 1mm	1±0.1mm	10.8	10.5	6.5	PBT-GF20 V0	VIOLET violett	7
A2	2384002-6	A	DT HIGH SPEED BULKHEAD SLIDER 4mm DT HIGH SPEED Durchreiche Schieber 4mm	4±0.1mm	7.8	7.5	5.4	PBT-GF20 V0	WHITE weiss	6
A2	2384002-5	A	DT HIGH SPEED BULKHEAD SLIDER 2mm DT HIGH SPEED Durchreiche Schieber 2mm	2±0.1mm	9.8	9.5	6.1	PBT-GF20 V0	GREEN gruен	5
A2	2384002-4	A	DT HIGH SPEED BULKHEAD SLIDER 3.5mm DT HIGH SPEED Durchreiche Schieber 3.5mm	3.5±0.1mm	8.3	8	5.5	PBT-GF20 V0	BLUE blau	4
A2	2384002-3	A	DT HIGH SPEED BULKHEAD SLIDER 3mm DT HIGH SPEED Durchreiche Schieber 3mm	3±0.1mm	8.8	8.5	5.7	PBT-GF20 V0	YELLOW gelb	3
A2	2384002-2	A	DT HIGH SPEED BULKHEAD SLIDER 2.5mm DT HIGH SPEED Durchreiche Schieber 2.5mm	2.5±0.1mm	9.3	9	5.9	PBT-GF20 V0	RED rot	2
A2	2384002-1	A	DT HIGH SPEED BULKHEAD SLIDER 1.5mm DT HIGH SPEED Durchreiche Schieber 1.5mm	1.5±0.1mm	10.3	10	6.3	PBT-GF20 V0	GREY grau	1
	TE ORDER-NO.	REV.	DESCRIPTION	SHEET METAL THICKNESS	DIM Y	DIM Z	WEIGHT [g]	MATERIAL	COLOUR	ITEM NO.

DIMENSION AND TOLERANCES ACCORDING TO:
Bemaessungen und Toleranzen gemäss:

DIN ISO 20457
DIN EN ISO 8015 (A2) - DIN EN ISO 291
DIN EN ISO 14405-1/-2/-3

THIS DRAWING IS A CONTROLLED DOCUMENT.

DWN K. Schang 23FEB2021

CHK S. Helm 01MAR2021

APVD J. Barth 01MAR2021

PRODUCT SPEC

APPLICATION SPEC

WEIGHT

CUSTOMER DRAWING

DIMENSIONS:
mm

TOLERANCES UNLESS OTHERWISE SPECIFIED:

0 PLC	±
1 PLC	±
2 PLC	±
3 PLC	±
4 PLC	±
ANGLES	±
FINISH	-

MATERIAL

FINISH

NAME DT HIGH SPEED Bulkhead Slider
DT Highspeed Durchreiche Schieber

SIZE A2 CAGE CODE 00779 DRAWING NO. C-2384002 RESTRICTED TO -

SCALE 2:1 SHEET 1 OF 1 REV A2

STE TE Connectivity