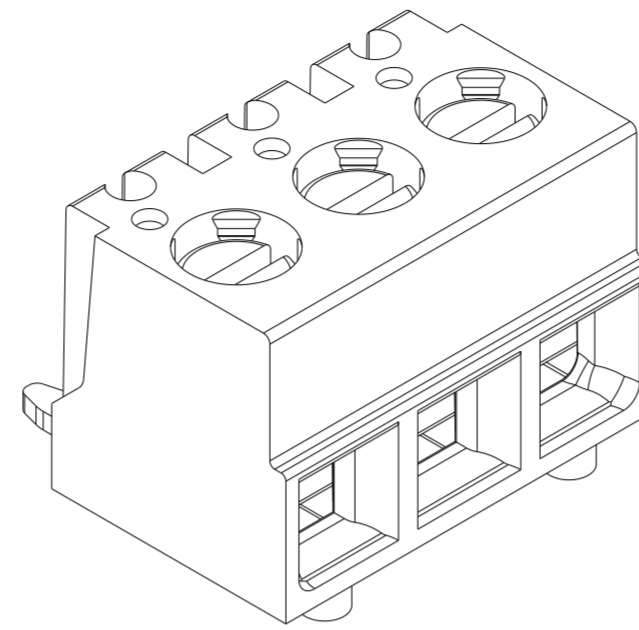
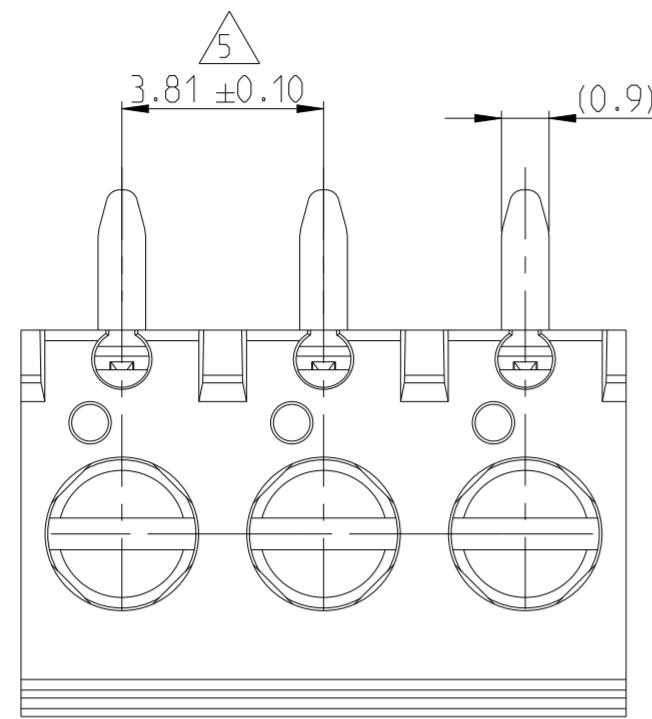
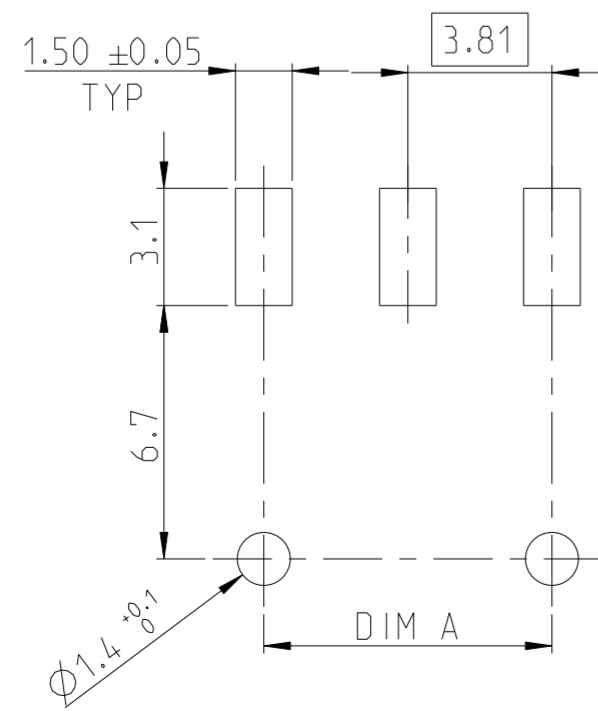
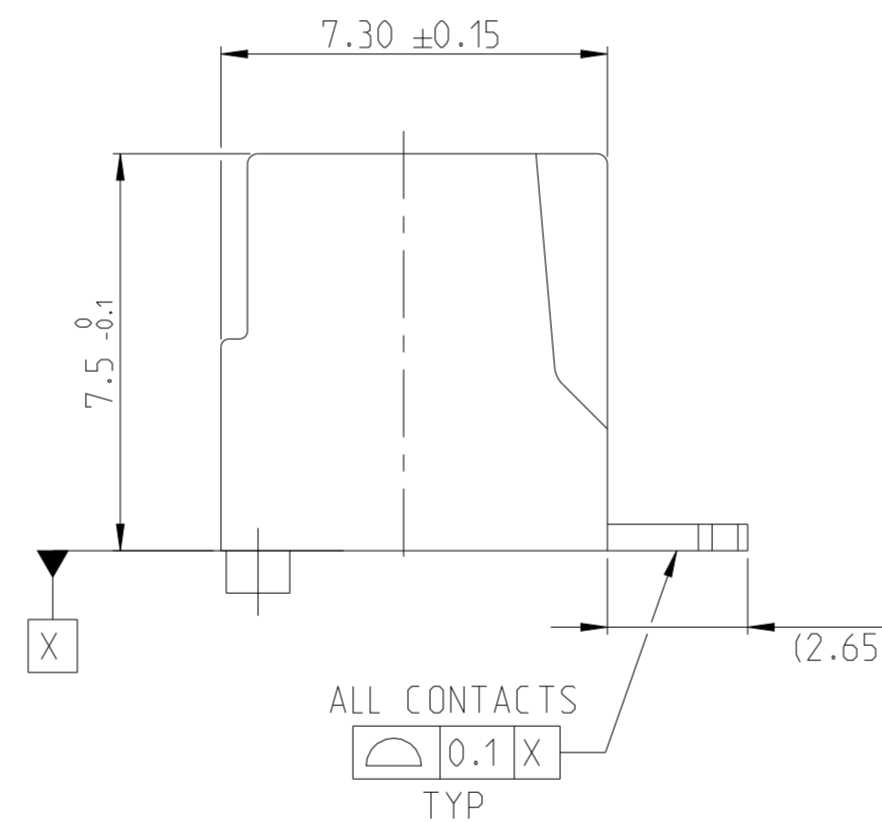
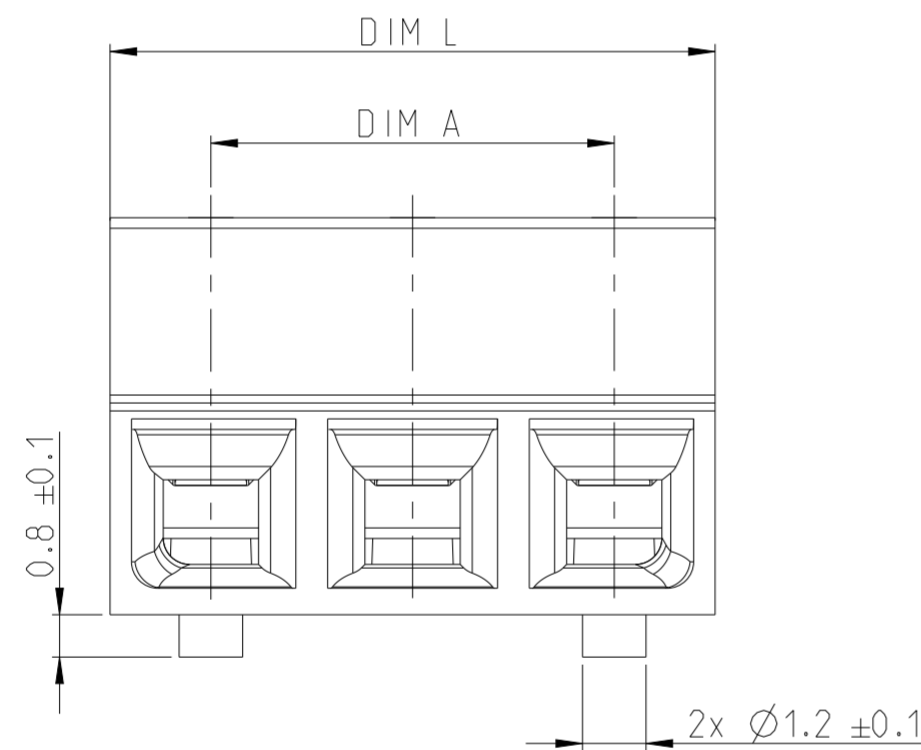


REVISIONS					
P	LTR	DESCRIPTION	DATE	DWN	APVD
1		PRELIMINARY	22DEC2020	DV	PS
A		PRODUCTION RELEASE	28APR2021	SS	PS
A1		NOTE 7 ADDED. NOTE 2 MODIFIED	23SEP2021	SS	PS



2383941-3 AS SHOWN



RECOMMENDED PCB LAYOUT

NOTES

- MATERIALS & FINISH**

  - HOUSING : HIGH TEMPERATURE PA, UL94 V0, COLOR -BLACK
  - SCREW M2 : COPPER ALLOY, NICKEL PLATED
  - CLAMP : COPPER ALLOY, NICKEL PLATED
  - CONTACT : COPPER ALLOY, NICKEL & TIN PLATED
- MECHANICAL**

  - WIRE STRIPPING LENGTH : 5-6 mm
  - RECOMMENDED/HIGHEST TIGHTENING TORQUE : 0.2/0.25 Nm.
- ELECTRICAL**

  - WIRE RANGE : 18 - 28 AWG
  - MAX. VOLTAGE : 300 V
  - MAX CURRENT : 7 A
  - CONTACT RESISTANCE : <15 m Ohm
  - INSULATION RESISTANCE : >1000 M Ohm (500V DC)
- OPERATING TEMPERATURE RANGE:** -40 °C TO +105 °C
- TOLERANCE NOT CUMULATIVE.
- SCREW CLAMP WILL BE IN CLOSED CONDITION.
- PACKAGING SPEC: 107-160084

41.91		45.72		12	1-2383941-2
38.10		41.91		11	1-2383941-1
34.29		38.10		10	1-2383941-0
30.48	±0.20	34.29	±0.20	9	2383941-9
26.67		30.48		8	2383941-8
22.86		26.67		7	2383941-7
19.05		22.86		6	2383941-6
15.24		19.05		5	2383941-5
11.43	±0.15	15.24	±0.15	4	2383941-4
7.62		11.43		3	2383941-3
3.81	±0.10	7.62		2	2383941-2
<b>DIM A</b>		<b>DIM L</b>		<b>POSITION</b>	<b>TE PN</b>

THIS DRAWING IS A CONTROLLED DOCUMENT.		DWN 18DEC2020 DATTESH VERNEKAR	TE Connectivity		
DIMENSIONS: mm		CHK 22DEC2020 SUBHASREE SAHOO			
TOLERANCES UNLESS OTHERWISE SPECIFIED:		APVD 22DEC2020 PRASHANTH S	NAME TERMINAL BLOCK, SMD MOUNT, 180 DEGREE, 3.81 MM PITCH 7A		
0 PLC ± 1 PLC ±0.3 2 PLC ±0.25 3 PLC ± 4 PLC ± ANGLES ± FINISH ±		PRODUCT SPEC 108-160231	SIZE A2	CAGE CODE 00779	DRAWING NO C-2383941
MATERIAL		APPLIC. SPEC	RESTRICTED TO	SCALE 5:1 SHEET 1 OF 1 REV A1	
		WEIGHT	CUSTOMER DRAWING		