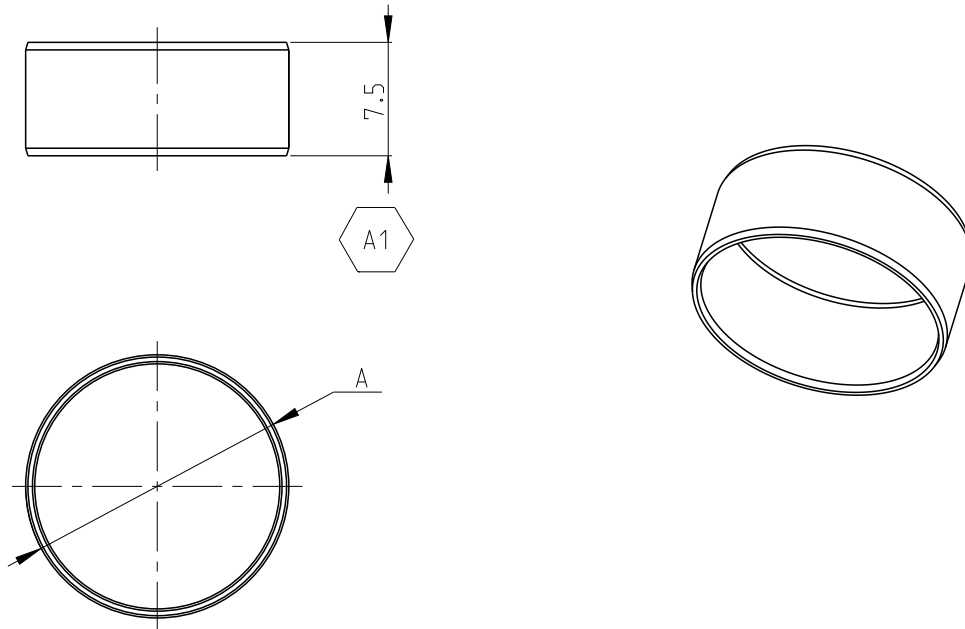


REVISIONS

P	LTR	DESCRIPTION	DATE	DWN	APVD
	A	INITIAL DRAWING	26AUG21	P.L	I.Y
	A1	DIMENTION CORRECTED	01APR24	C.C	Z.Z



- 1 MATERIAL: STEEL
- 2. BULK PACKAGED

16.7	17.3	Ø17.4	FOR 70SQM	2383855-3
14.6	15.2	Ø15.7	FOR 50SQM	2383855-2
12.4	13	Ø13.4	FOR 35SQM	2383855-1
MIN.	MAX.	DIM.A	CABLE SIZE	PART NO.
CABLE OD				

© 2021 TE Connectivity. All Rights Reserved.

DIMENSIONS: mm	DWN P.LING	26AUG2021	MATERIAL	1		FINISH		
	CHK J.LI	26AUG2021						
TOLERANCES UNLESS OTHERWISE SPECIFIED: ±0.3	APVD I.YIN	26AUG2021						
	PRODUCT SPEC	108-160341		SIZE	CAGE CODE	DRAWING NO	RESTRICTED TO	
0 PLC ± 1 PLC ±0.1 2 PLC ±0.01 3 PLC ±0.001 4 PLC ±0.0001 ANGLES ±	APPLICATION SPEC	114-160182		A 4	00779	C-2383855	-	
WEIGHT			CUSTOMER DRAWING					
			SCALE	2:1	SHEET	1 OF 1	REV	A1