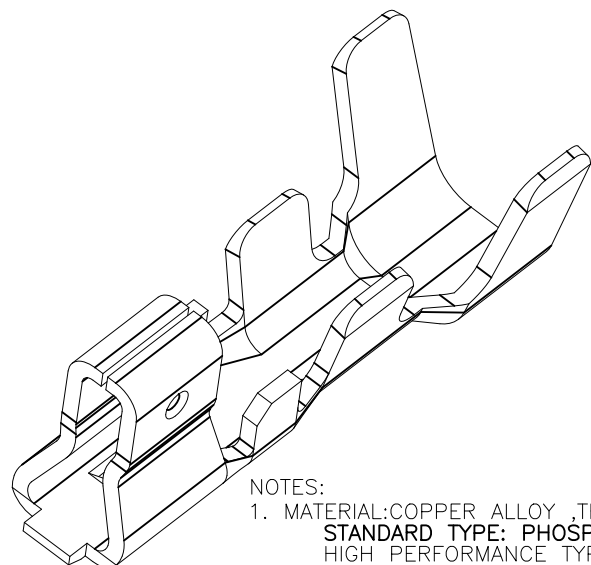
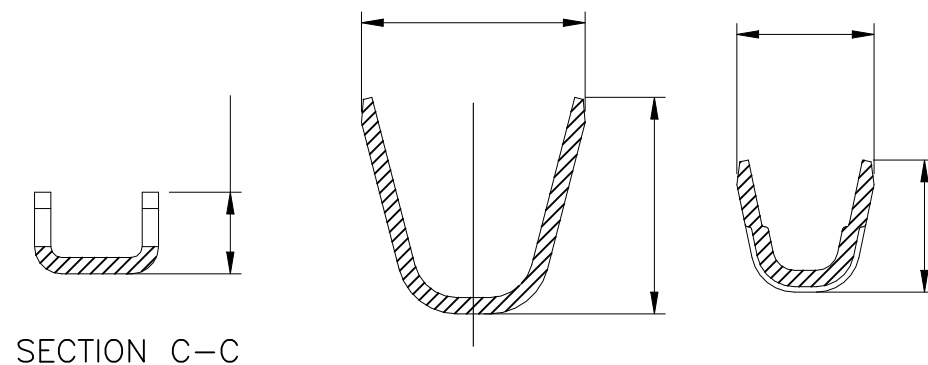
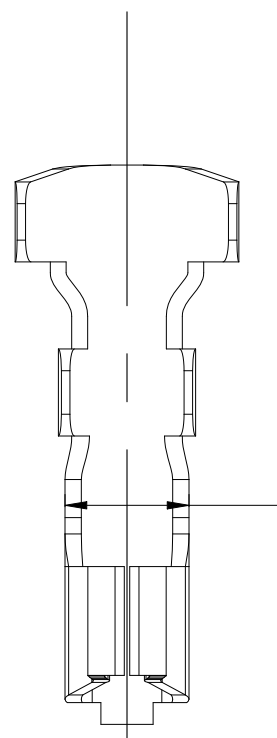
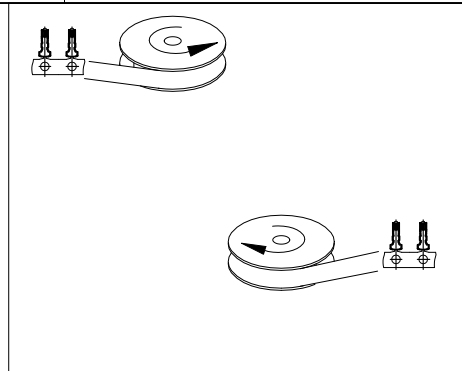


REVISIONS

P	LTR	DESCRIPTION	DATE	DWN	APVD
	A1	ECR-21-121877	19NOV2021	T.Q	N.S



- NOTES:
- MATERIAL: COPPER ALLOY, THICKNESS 0.15
STANDARD TYPE: PHOSPHOR BRONZE.
HIGH PERFORMANCE TYPE: NICKEL COPPER.
 - PLATING
TYPE A: 50u"MIN NICKEL UNDER PLATING
100u" MIN PURE TIN OVER ALL.
TYPE B: 50u"MIN NICKEL UNDER PLATING
GOLD FLASH ON CONTACT AREA.
 - Q'TY: 10000 pcs/Reel..

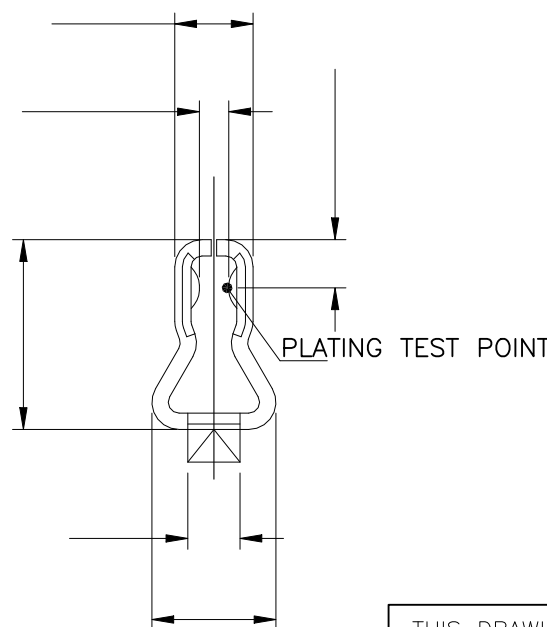
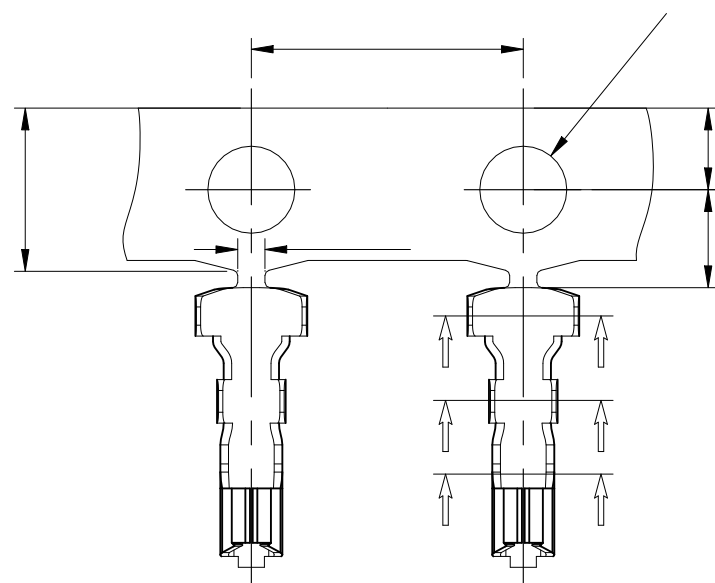
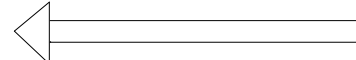


SECTION C-C

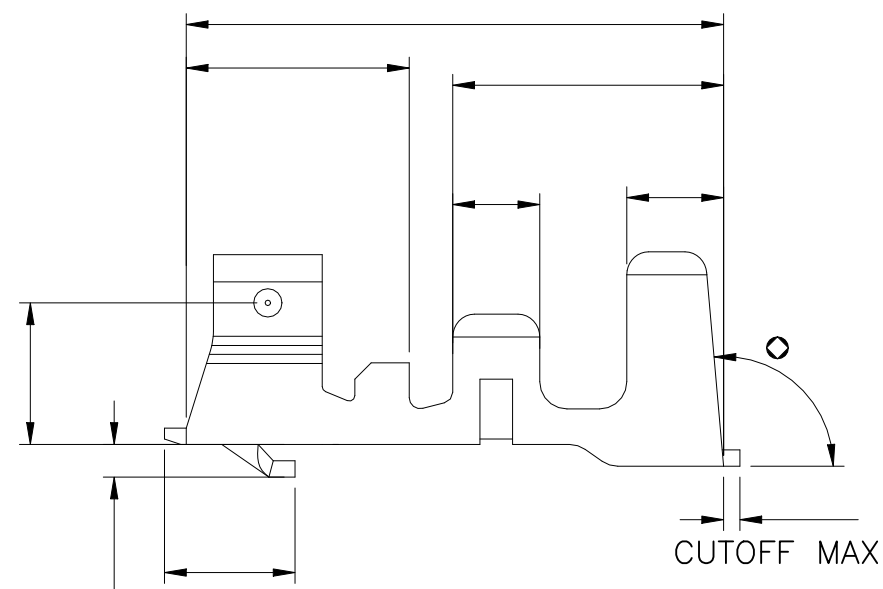
SECTION A-A

SECTION B-B

TO CRIMPING TOOL




SCALE 2:1



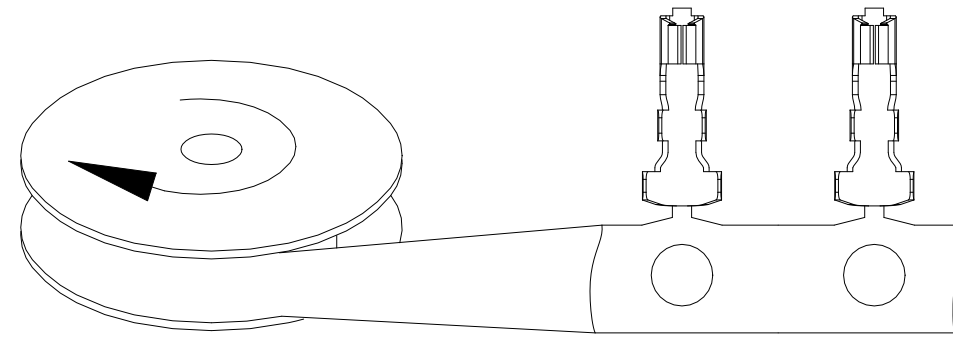
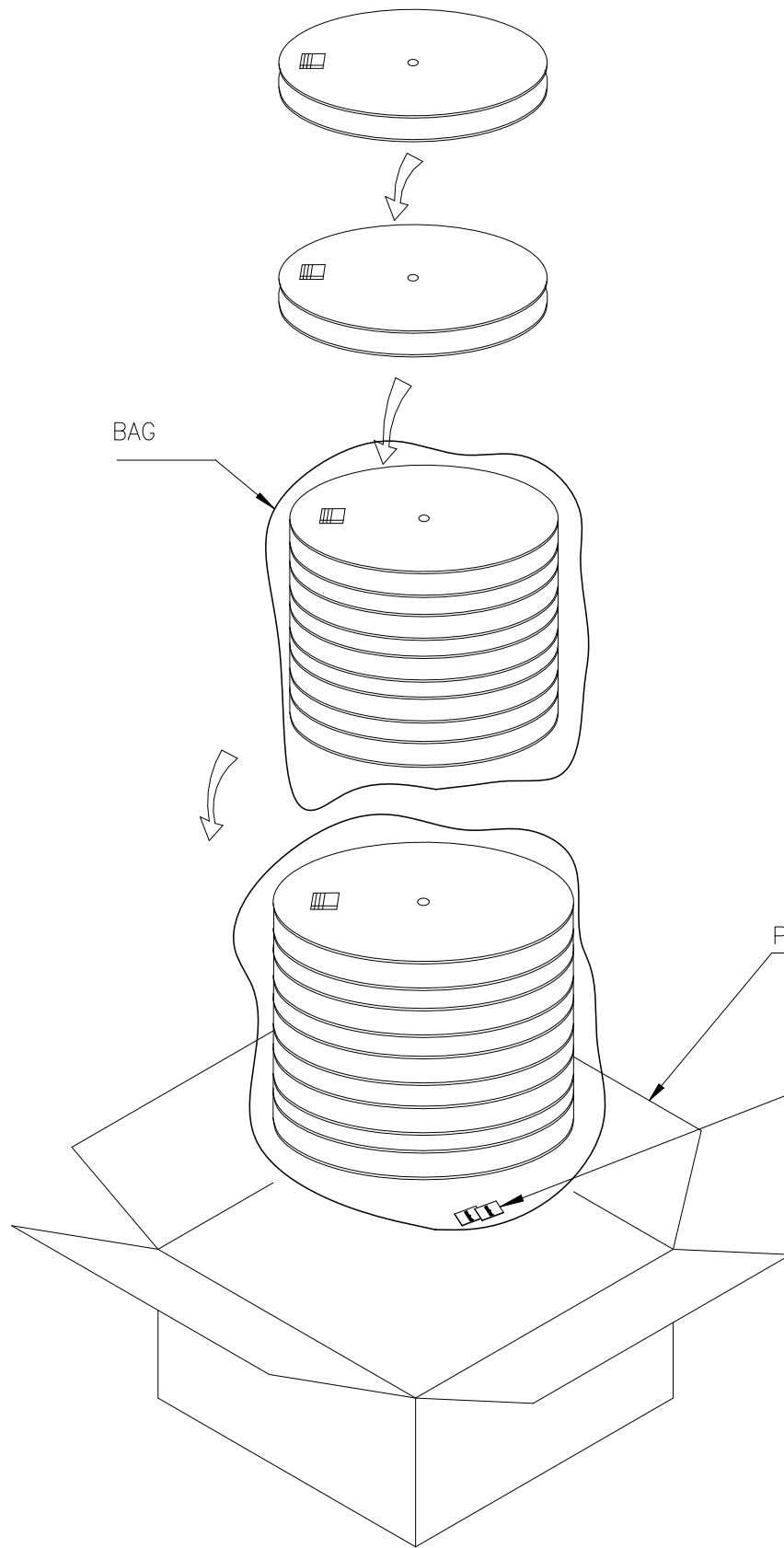
CUTOFF MAX.

2380403-4	HP TYPE	TYPE B
2380403-3	HP TYPE	TYPE A
2380403-2	ST TYPE	TYPE B
2380403-1	ST TYPE	TYPE A
P/N	MATERIAL	PLATING SPEC

THIS DRAWING IS A CONTROLLED DOCUMENT.		DWN Jone Ji 23SEP2020	 TE Connectivity Ltd.														
DIMENSIONS: mm		CHK Wenke He				NAME											
TOLERANCES UNLESS OTHERWISE SPECIFIED:		APVD Wenke He	1.5P WT CONTACT WITH LATCH														
<table border="0"> <tr> <td>0 PLC</td> <td>± 0.5</td> </tr> <tr> <td>1 PLC</td> <td>± 0.35</td> </tr> <tr> <td>2 PLC</td> <td>± 0.25</td> </tr> <tr> <td>3 PLC</td> <td>± 0.15</td> </tr> <tr> <td>4 PLC</td> <td>± -</td> </tr> <tr> <td>ANGLES</td> <td>± 1°</td> </tr> </table>		0 PLC	± 0.5	1 PLC	± 0.35	2 PLC	± 0.25	3 PLC	± 0.15	4 PLC	± -	ANGLES	± 1°	PRODUCT SPEC 108-115183	RESTRICTED TO		
0 PLC	± 0.5																
1 PLC	± 0.35																
2 PLC	± 0.25																
3 PLC	± 0.15																
4 PLC	± -																
ANGLES	± 1°																
MATERIAL SEE NOTE		FINISH SEE NOTE	APPLICATION SPEC -	SIZE A3	CAGE CODE 00779												
CUSTOMER DRAWING			DRAWING NO C-2380403	SCALE N/A	SHEET 1 OF 2												
			WEIGHT -	REV A1													

REVISIONS

P	LTR	DESCRIPTION	DATE	DWN	APVD
-	-	SEE SHEET 1	-	-	-

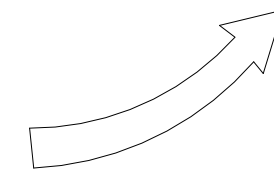
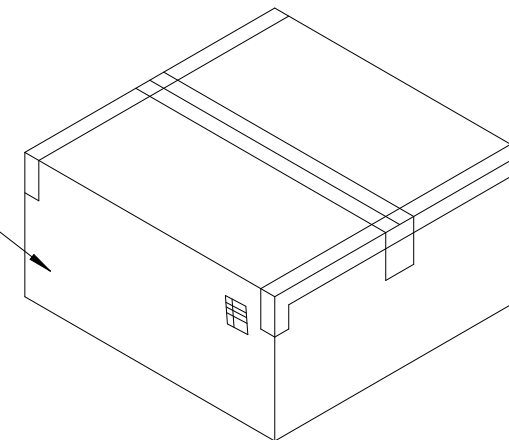


AFTER PLATING

PRIMARY CARTON

PRIMARY CARTON

2 DESICCATING AGENT



THIS DRAWING IS A CONTROLLED DOCUMENT.

DIMENSIONS: mm	TOLERANCES UNLESS OTHERWISE SPECIFIED:
	0 PLC ± 0.5
	1 PLC ± 0.35
	2 PLC ± 0.25
	3 PLC ± 0.15
	4 PLC ± -
	ANGLES ± -

MATERIAL
SEE NOTE

FINISH

DWN	/
CHK	-
APVD	-
PRODUCT SPEC	/
APPLICATION SPEC	/
WEIGHT	/

STE TE Connectivity Ltd.

1.5P WTB CABLE CONTACT WITH LATCH

SIZE	CAGE CODE	DRAWING NO	RESTRICTED TO
A3	00779	C-2380403	-

CUSTOMER DRAWING

SCALE	SHEET	REV
N/A	2 OF 2	A1