
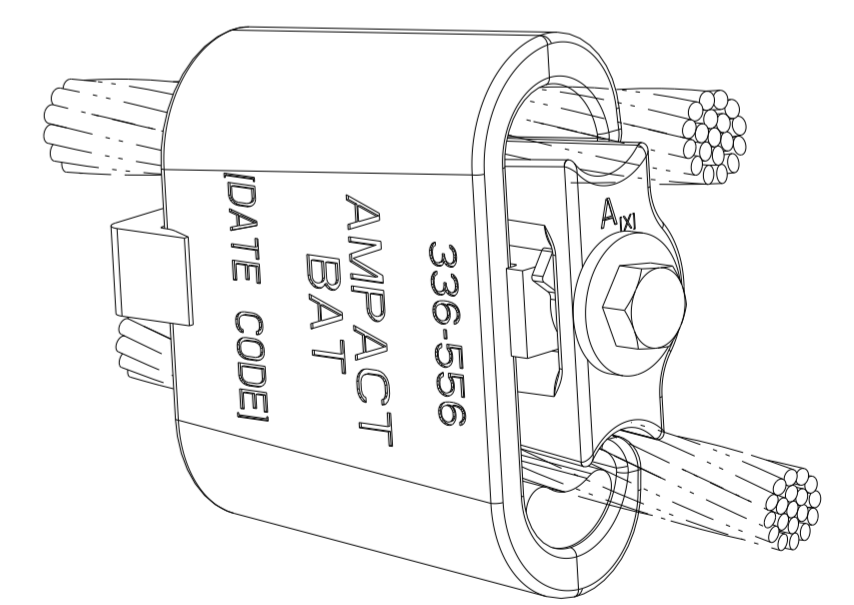
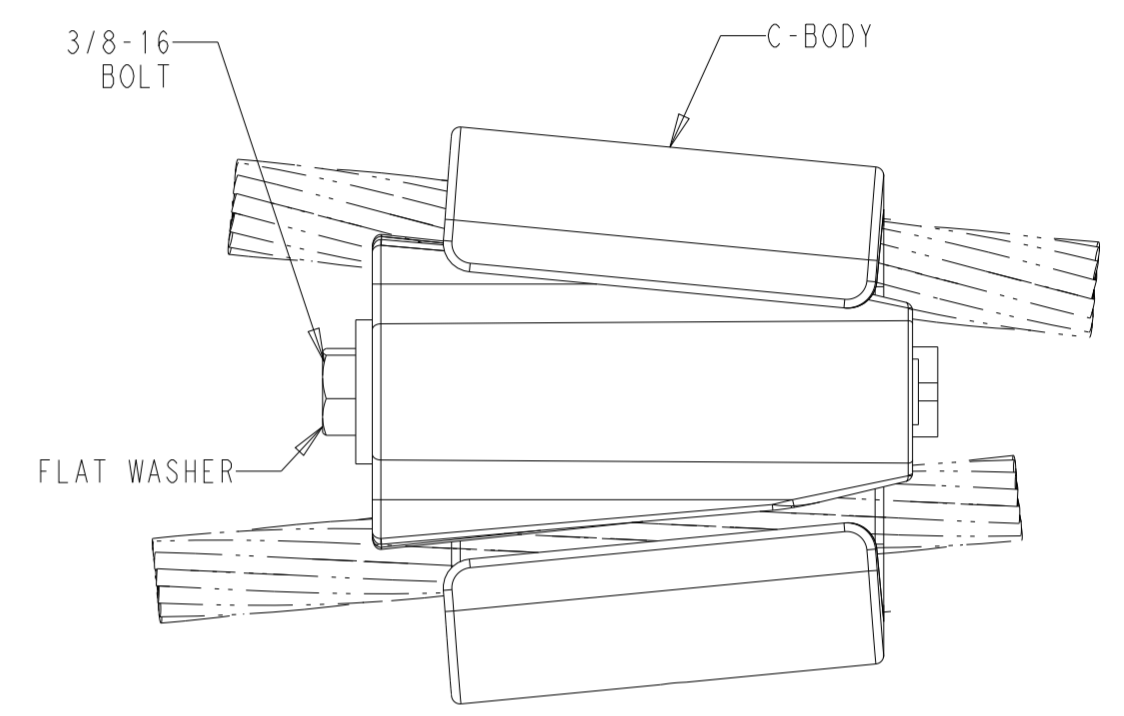
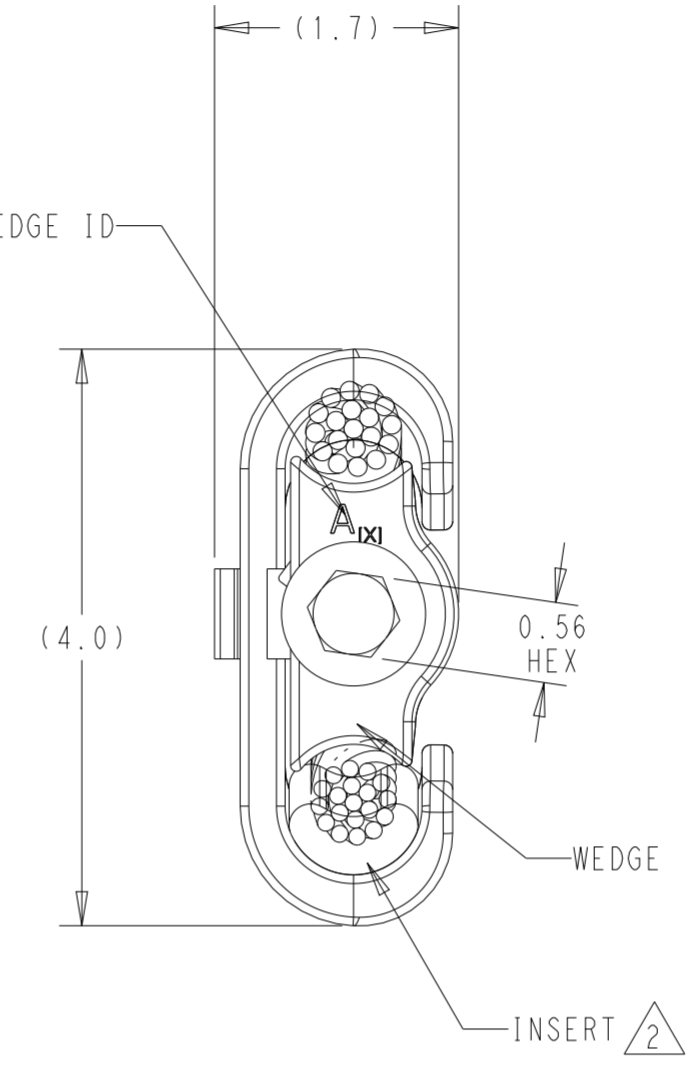
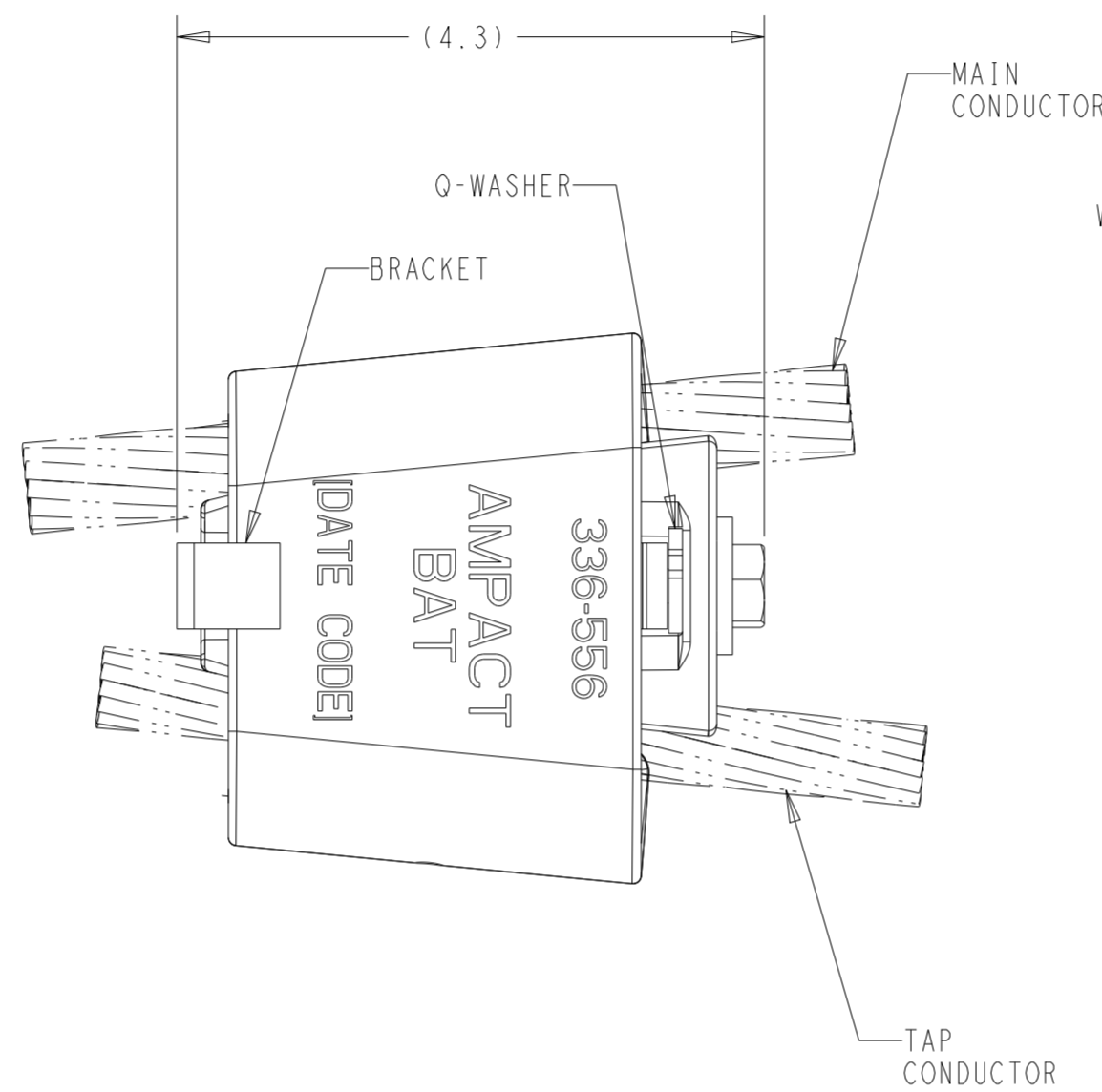



REVISIONS

P	LTR	DESCRIPTION	DATE	DWN	APVD
	A	INITIAL REL PER LC20-0045-21	30APR2021	JG	BJ

WEDGE ID	CABLE RANGE WITH INSERT 		CABLE RANGE NO INSERT		PART NO.
	TAP	MAIN	TAP	MAIN	
I	N/A		#4 266.8 #6 350		1-2376750-2
H	N/A		#6 336.4 #2 266.8 #4 336.4 #4 350		1-2376750-1
G	N/A		#6 397.5 1/0 266.8 #2 336.4 #2 350		1-2376750-0
F	N/A		#4 397.5 #6 477 2/0 266.8 1/0 336.4 1/0 350		2376750-9
E	N/A		#2 397.5 #4 477 #6 556.5 3/0 266.8 2/0 336.4 2/0 350		2376750-8
D	N/A		1/0 397.5 #2 477 #4 556.5 4/0 266.8 3/0 336.4 3/0 350		2376750-7
C	266.8, 250	266.8	477, 500	477	2376750-6
	4/0	336.4			
	4/0	350			
	3/0	397.5			
	2/0	477			
	1/0	556.5	397.5	556.5	
B	266.8, 250	336.4	477, 500	556.5	2376750-5
	4/0	397.5			
	3/0	477			
	2/0	556.5			
A	336.4, 350	336.4	556.5	556.5	2376750-4
	350	350			
	266.8, 250	397.5			
	4/0	477			
	3/0	556.5			
C	336.4, 350	397.5	477, 500	477	2376750-3
	266.8, 250	477			
	4/0	556.5			
B	397.5	397.5	477, 500	556.5	2376750-2
	336.4, 350	477			
	266.8, 250	556.5			
A	397.5	477	556.5	556.5	2376750-1
	336.4, 350	556.5			



- 1. ACCOMMODATES: SEE TABLE.
-  2. DEPENDING ON CABLE COMBINATION USED, DISCARD INSERT COMPONENT IF NOT REQUIRED

THIS DRAWING IS A CONTROLLED DOCUMENT.		DWN J. GUPPY 09JUL2020	 TE Connectivity	
DIMENSIONS: INCHES		CHK S. RAHMAN 07AUG2020		
TOLERANCES UNLESS OTHERWISE SPECIFIED:		APVD B. JOHNSON 10AUG2020	NAME TAP CONNECTOR, MEDIUM SIZE, ALUMINUM ALLOY, AMPACT BAT	
0 PLC ±		PRODUCT SPEC -	SIZE A2	
1 PLC ±		APPLICATION SPEC -	CAGE CODE 00779	DRAWING NO C-2376750
2 PLC ±		WEIGHT -	RESTRICTED TO -	
3 PLC ±		CUSTOMER DRAWING	SCALE NTS	SHEET 1 OF 1
4 PLC ±				REV A
ANGLES ±				
FINISH -				