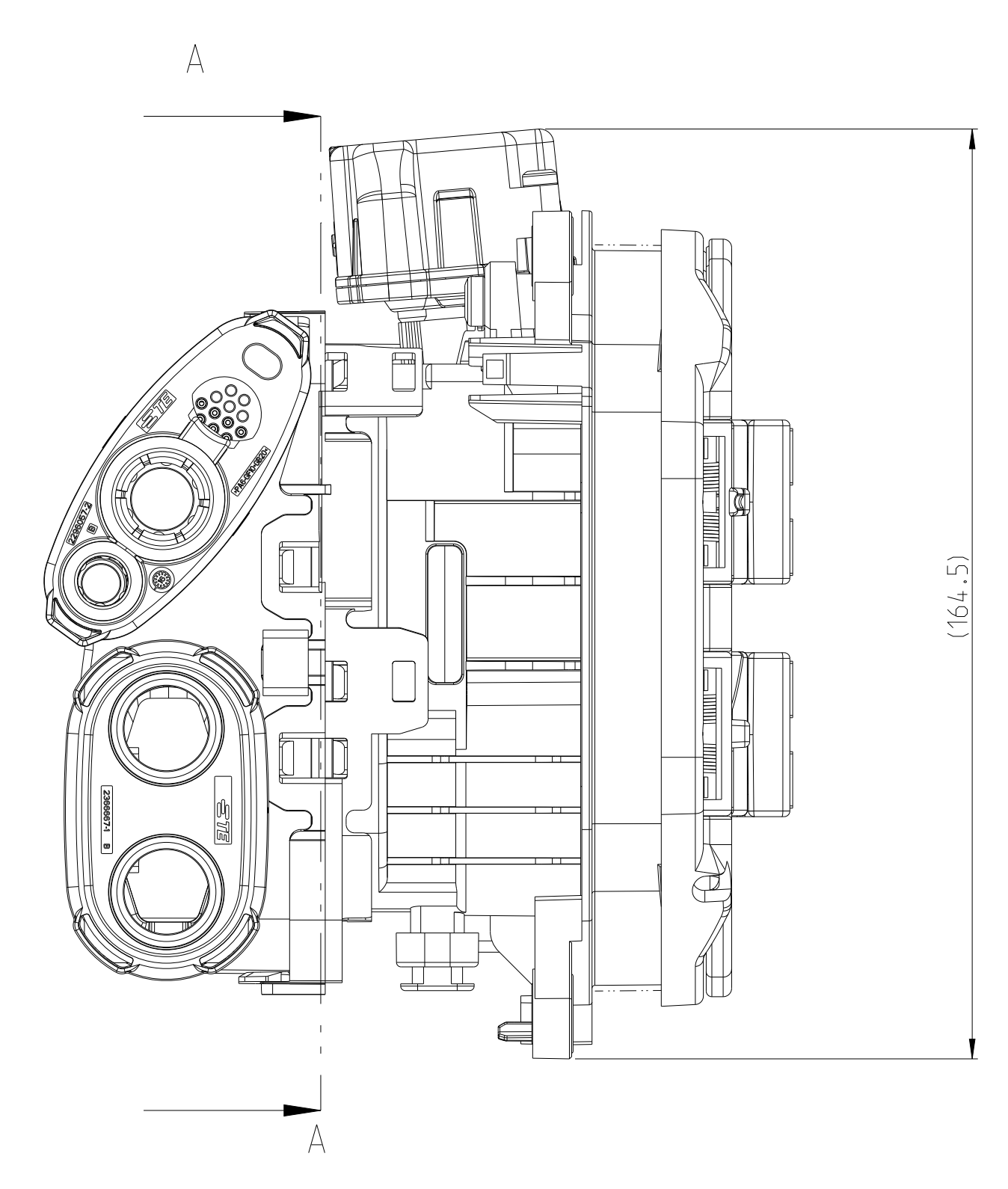
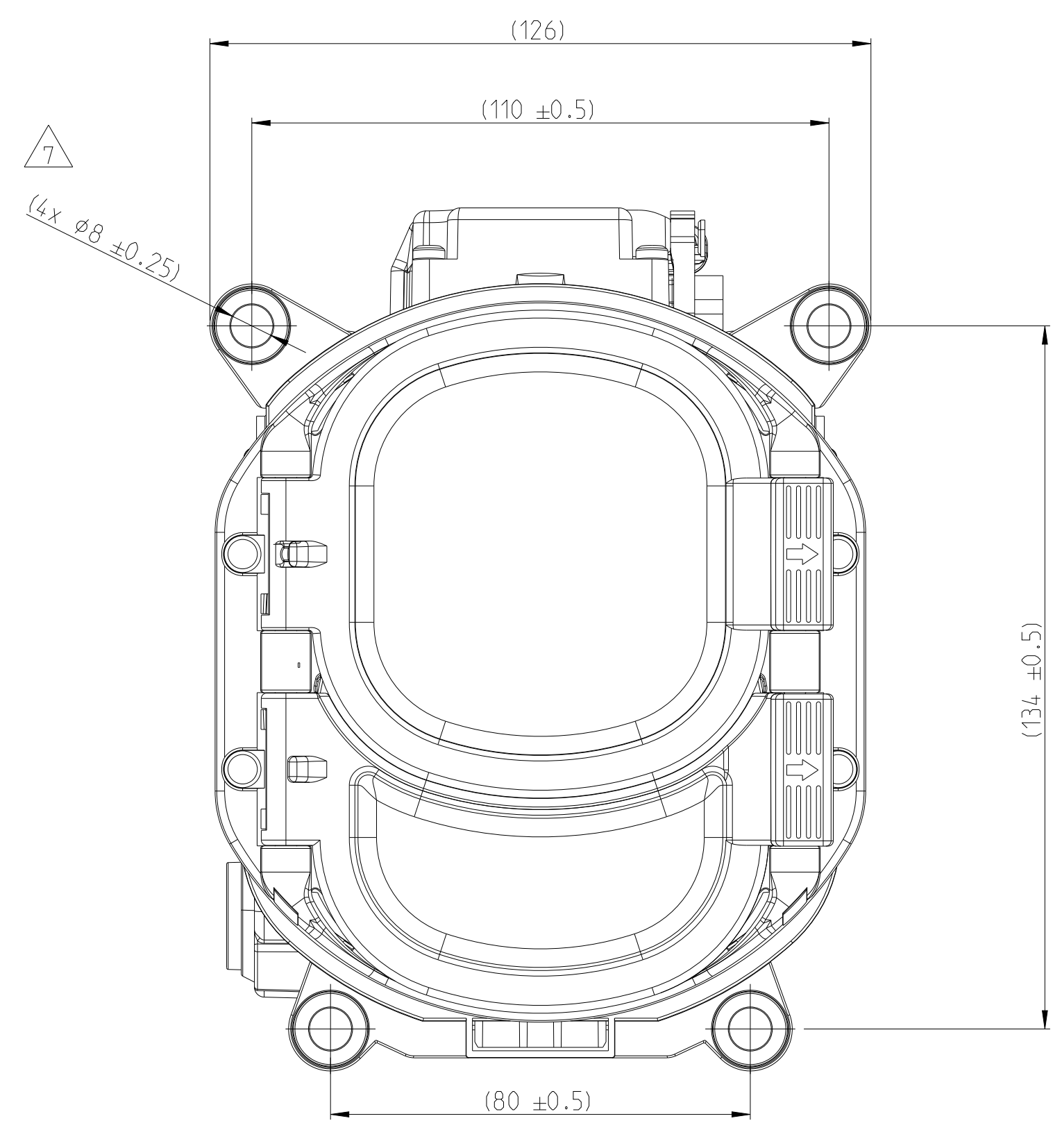
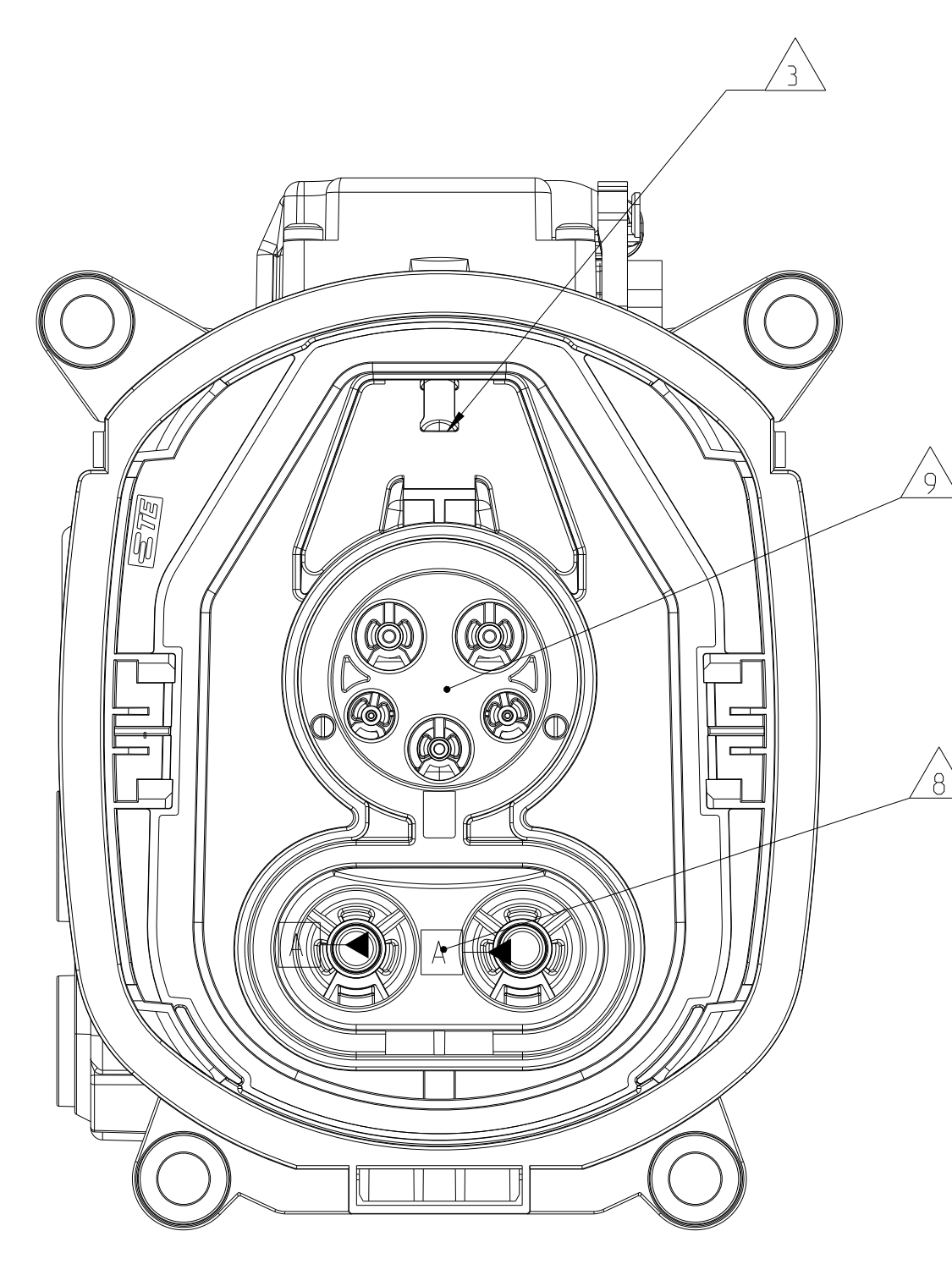
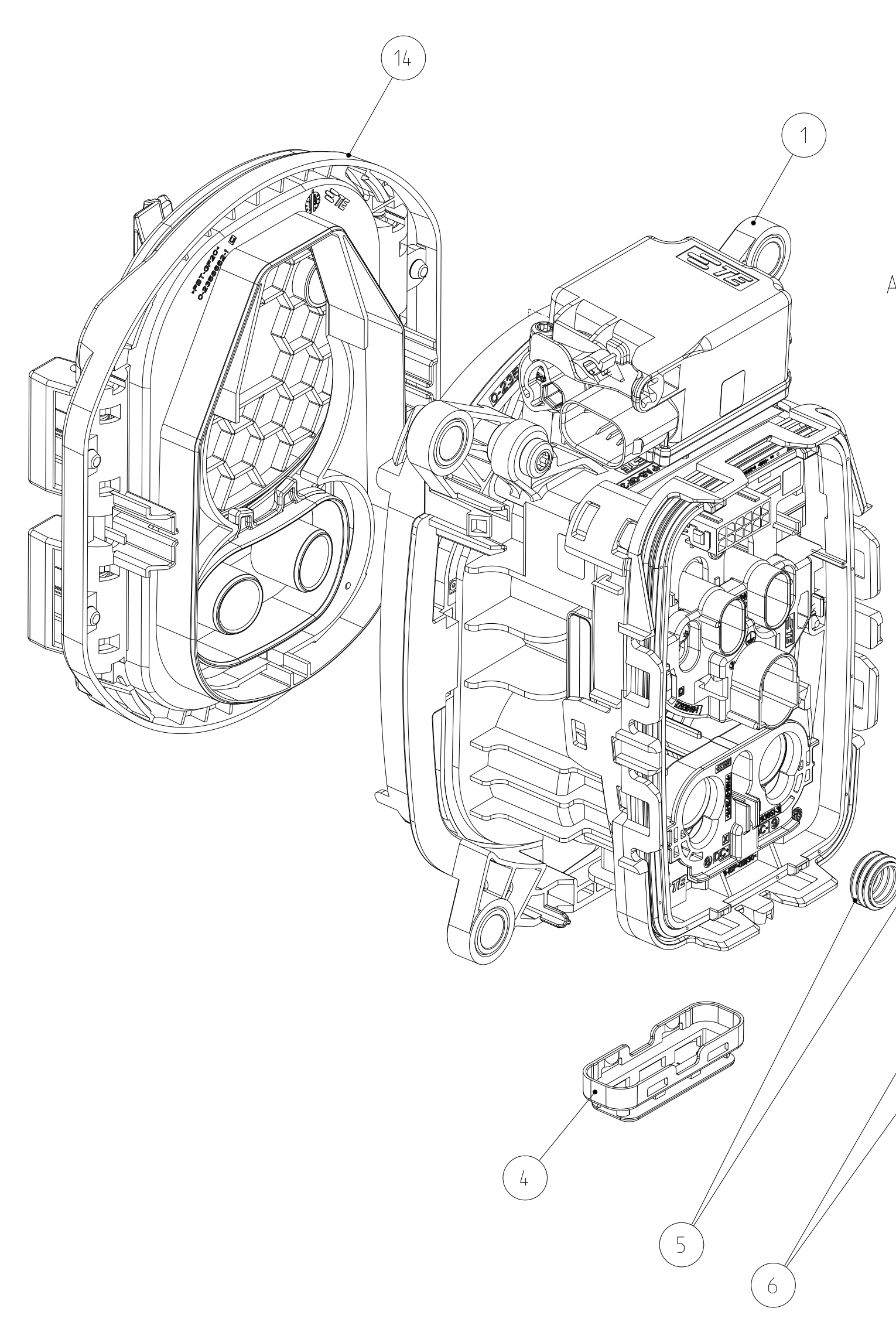
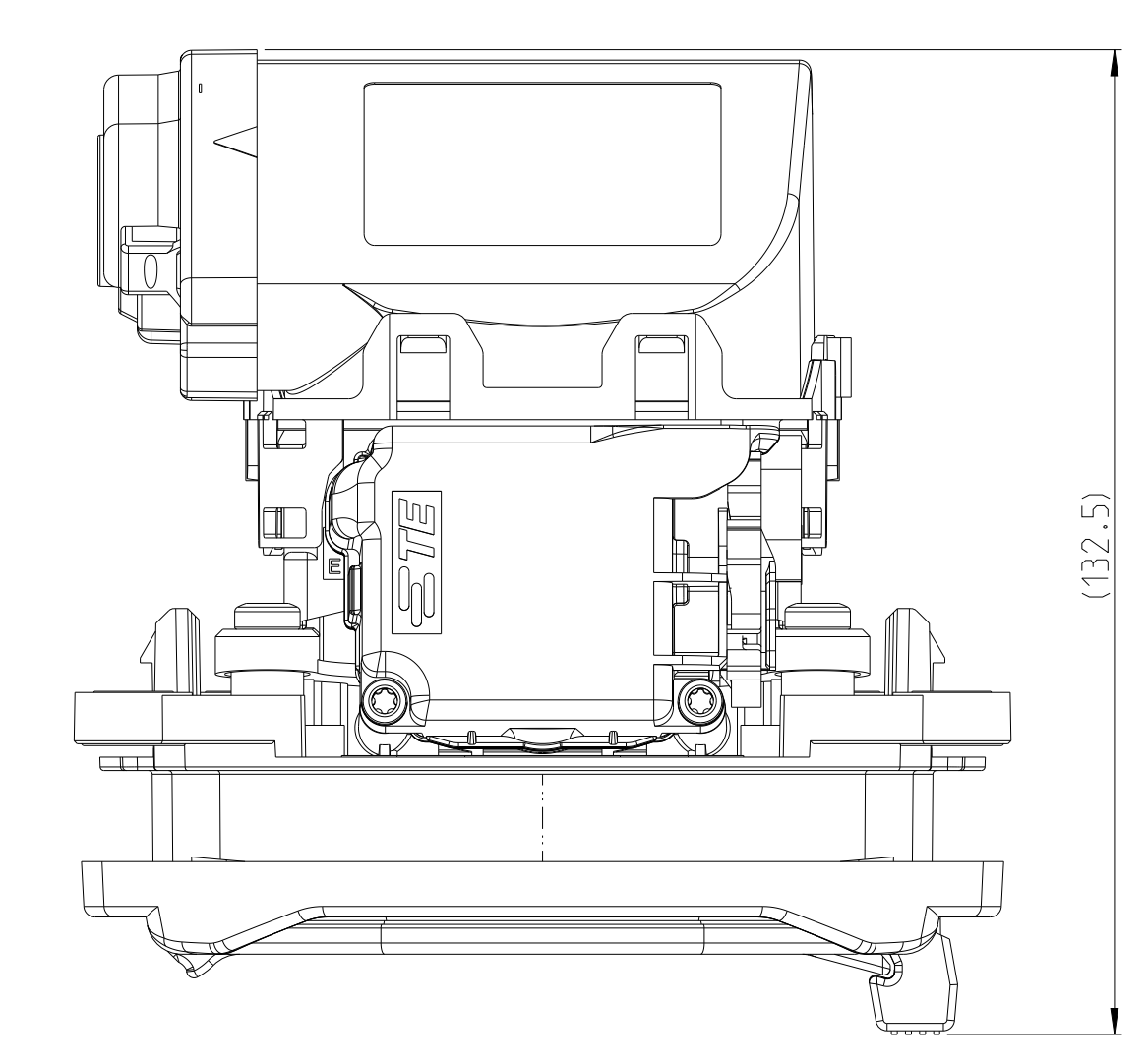
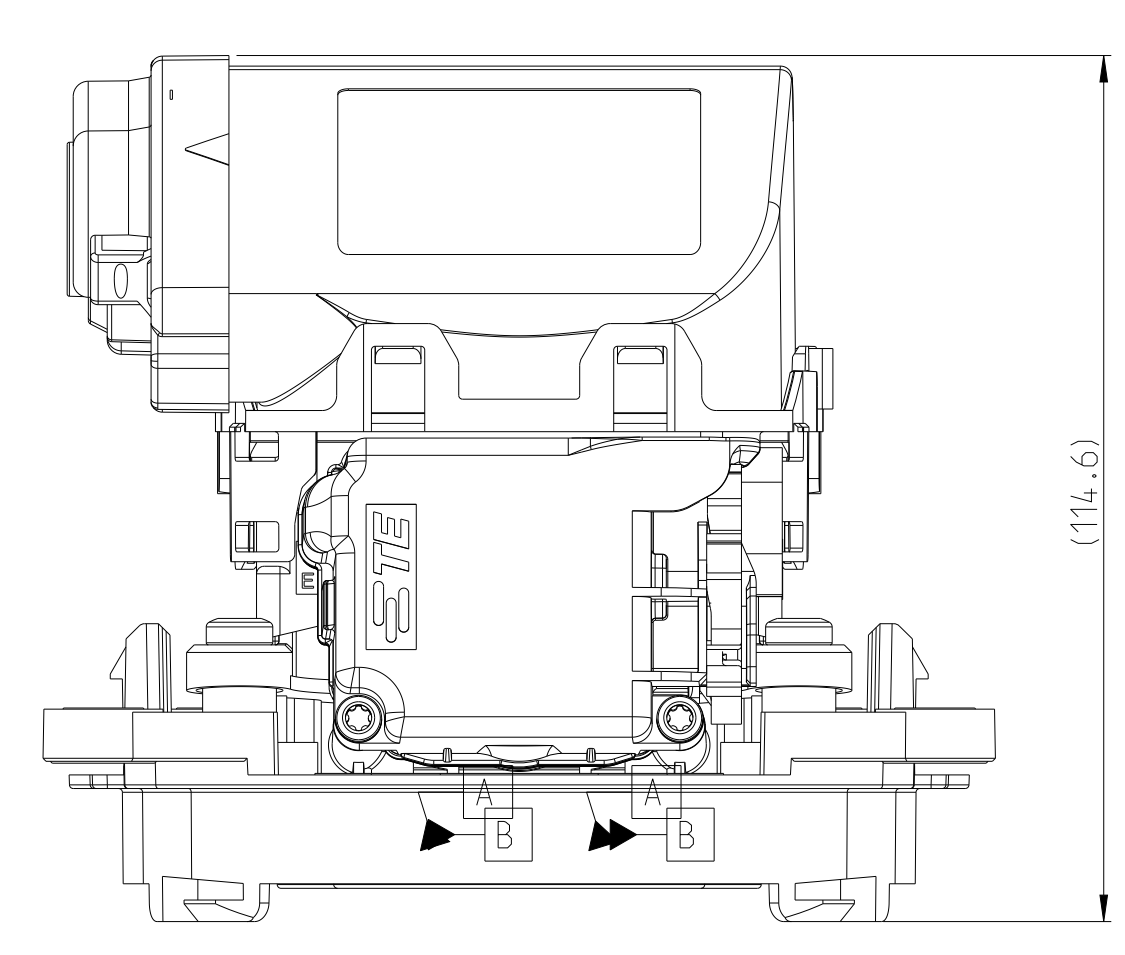
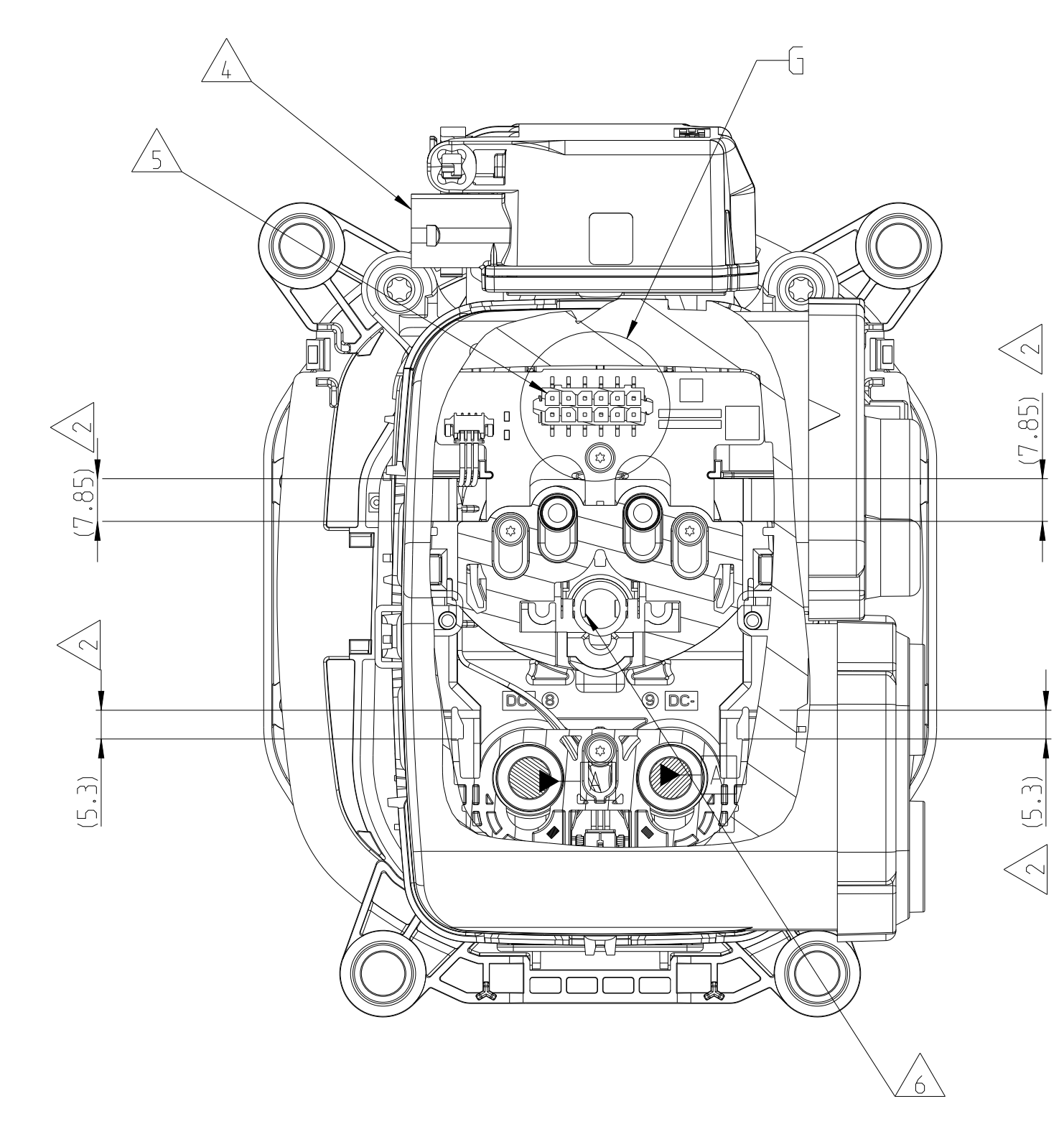


VARIANTS WITHOUT FLAP

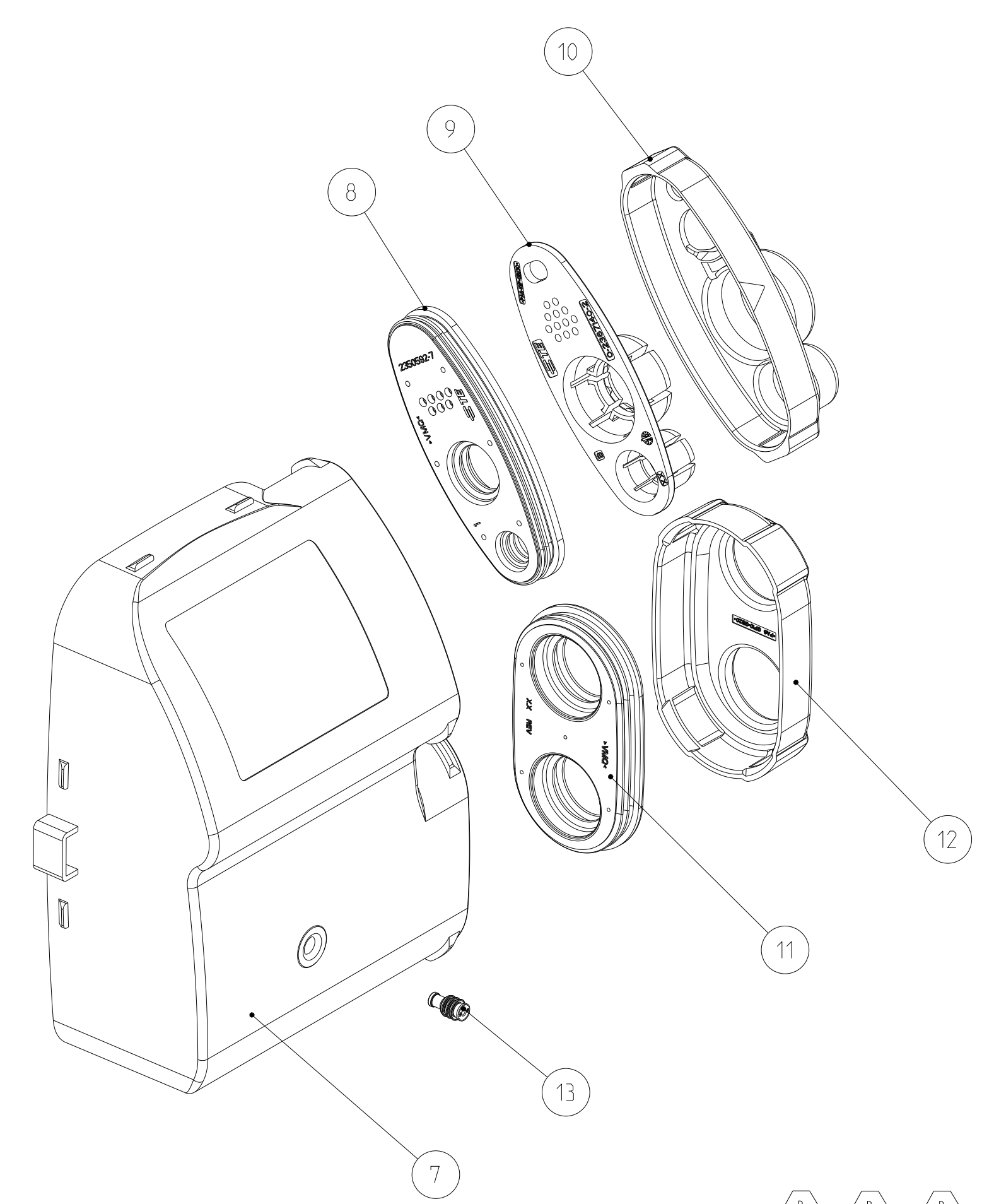
VARIANTS WITH FLAP



SECTION A-A



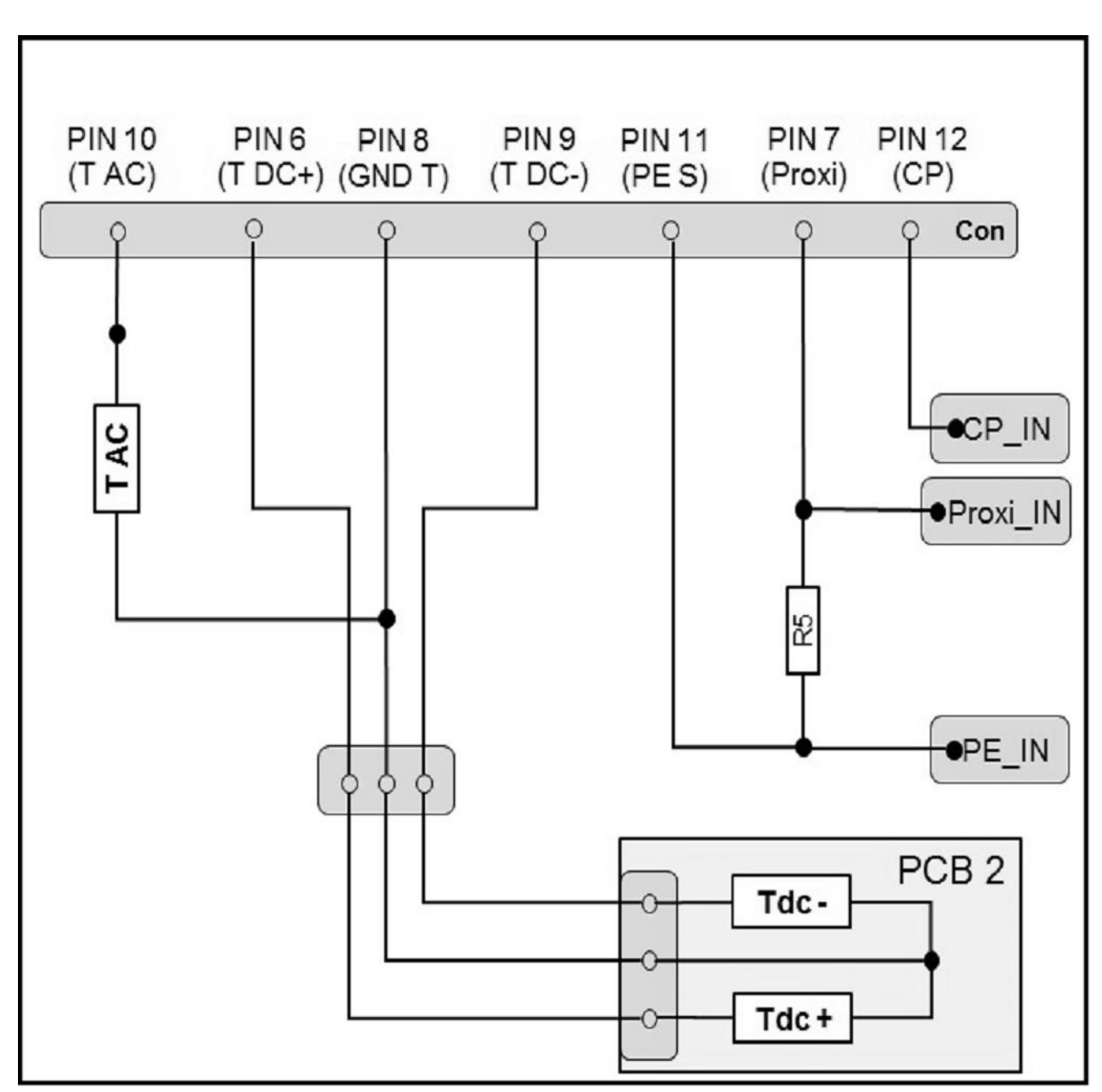
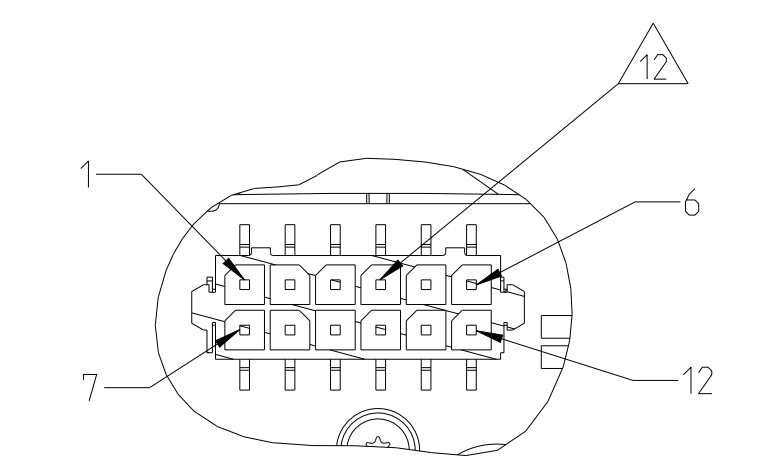
AS SHOWN 0-2375501-3



NOTES

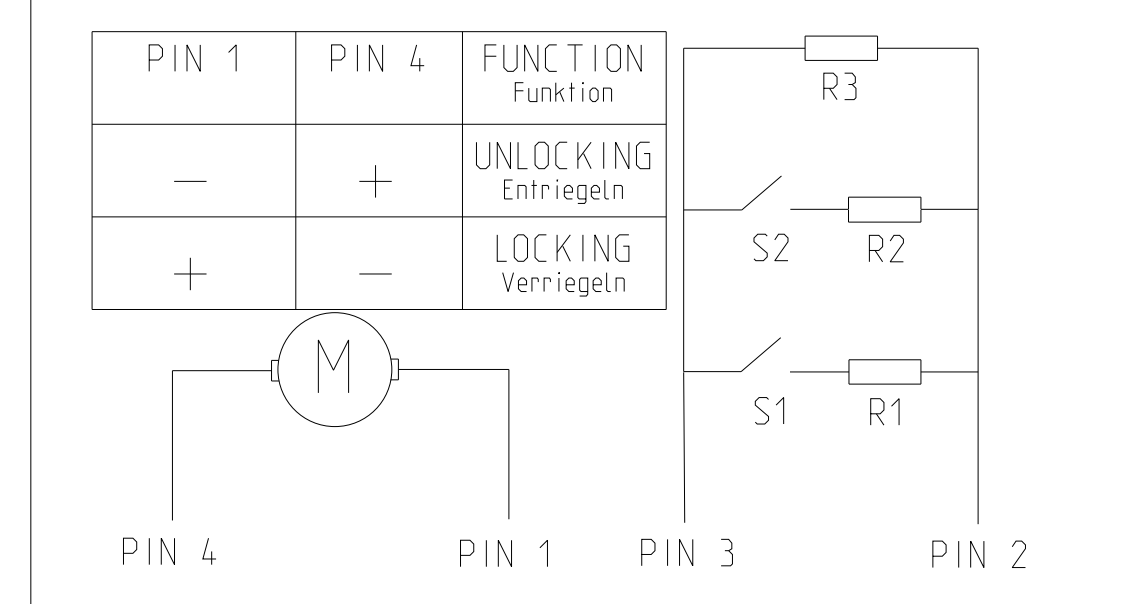
- PACKED INTERLAYERED IN PLASTIC BAG IN CORRUGATED SHIPPING BOX
- DELIVERY CONDITION: SEC. LOCKS IN PRELOCK POSITION
- DELIVERY CONDITION ACTUATOR: ACTUATOR IN BASE POSITION
- ROOM FOR CONNECTOR PN 1-967660-1 MATING WITH TE SPEC. 114-18063-124.
- MAKE SURE THAT NO MECHANICAL FORCES ARE APPLIED ON THE HEADER OF PCBA
- PE CONTACT CLAMP MAY BE DISCOLORED (BLACK/BROWN). TYPICAL FOR AG PLATING AND HAS NO IMPACT ON FUNCTION
- APPLICABLE SCREWS FOR MOUNTING. HEAD DIAMETER MIN. 10.5mm. TORQUE 6Nm ± 0.9Nm FOR M6 SCREWS
- CHARGE INLET SIMILAR TO IEC62196-3.CCS 1, SHEET 3-111a
- CHARGE INLET SIMILAR TO IEC62196-2,TYPE 1, SHEET 2-1
- ADAPTIVE CABLES SEE APPLICATION SPECIFICATION 114-xxxxx
- SPECIFIED IN PRODUCT SPECIFICATION 108-xxxxx
- COMPATIBLE PCB CONNECTOR: PN 1-794617-2 WITH TERMINAL PN 0-794606-1
- FUNCTIONAL AND ELECTRICAL REQUIREMENTS OF ACTUATOR SEE SPECIFICATION 108-94519
- CHECK FEEDBACK SIGNAL OF THE ACTUATOR. FEEDBACKTIME < 10MS (AFTER REACHING FINALPOSITION)
2mA < LOCK POSITION < 4mA
15mA < UNLOCK POSITION < 19mA
8mA < PARTIAL LOCK POSITION < 12mA
8V < SUPPLY VOLTAGE < 16V
- MAX VOLTAGE RATING 250 VDC
MAX CURRENT RATING 32 A
- MAX VOLTAGE RATING 600 VDC
MAX CURRENT RATING 200 A
- ALL COMPONENTS OF THE PARTS LIST ARE DELIVERED IN SEPARATE SUBPACKAGES

DETAIL G
SCALE 2:1



3-2293469-1 & 4-2293469-1
4 WIRE VARIANT:

PIN 3	PIN 2	SENSE RESISTANCE	FUNCTION
-	+	11,000 kOhm ± 2%	LOCKED
-	+	2,194 kOhm ± 2%	DRIVE
-	+	1,540 kOhm ± 2%	FAULT
-	+	0,989 kOhm ± 2%	UNLOCKED



PINNING
PCB

PIN NO.	COMBO 1
6	T DC+
7	Proxi
8	GND. Temp
9	T DC-
10	T AC
11	PE S
12	CP

TEST ITEM	RESISTANCE MEASUREMENT		VALUE @T _{amb} = 25° ± 5° C
	TEST PINS		
T AC	10	8	1097Ω ± 20Ω
T DC+	6	8	1097Ω ± 20Ω
T DC-	9	8	1097Ω ± 20Ω
R5	11	7	2700Ω ± 80Ω
Proxi	Proxi	7	0Ω ± 1Ω
CP	CP	12	0Ω ± 1Ω

FLAP OPENING DIRECTION	RIGHT		LEFT		NO FLAP		RIGHT		LEFT		NO FLAP		NO FLAP	
	RIGHT	LEFT	RIGHT	LEFT	RIGHT	LEFT	RIGHT	LEFT	RIGHT	LEFT	RIGHT	LEFT	RIGHT	LEFT
CABLE EXIT FOR AC, DC, PE AND SIGNALS	1	1	-	-	-	-	1	1	-	-	-	-	-	-
	-	-	1	1	-	-	-	-	1	1	-	-	-	-
24V ACTUATOR VARIANTS	1	1	1	1	1	1	1	1	1	1	1	1	1	1
	1	1	1	1	1	1	1	1	1	1	1	1	1	1
ISV ACTUATOR VARIANTS	1	1	1	1	1	1	1	1	1	1	1	1	1	1
	1	1	1	1	1	1	1	1	1	1	1	1	1	1

THIS DRAWING IS A CONTROLLED DOCUMENT. DIMENSIONING AND TOLERANCING PER GPS 1150 STANDARDS. DIMENSIONS AND TOLERANCES ACCORDING TO DIN ISO 20457, DIN EN ISO 8019 (GD), DIN EN ISO 291, DIN EN ISO 14605-1:21-3. (DIESE ZEICHNUNG IST EIN KONTROLLIERTES DOKUMENT. BEMESSUNGEN UND TOLERANZEN GEMÄSS: GPS 1150 STANDARDS.)

DATE: 31AUG2020
 DRAWN BY: U. Siegel
 CHECKED BY: S. Koshch
 APPROVED BY: J. K. Koster
 PRODUCT SPEC: 108-94803
 APPLICATION SPEC: 114-94674

REVISIONS

REV	DATE	DESCRIPTION	BY	CHK	APP
A	31AUG2020	New Drawing	U. Siegel	S. Koshch	J. K. Koster
A1	28SEP2021	ECR-21-115473			
B	09JAN2024	PCN-24-196382			

STE TE Connectivity
 CHARGE INLET KIT, COMBO1, 90 DEGREE

SCALE: 1:1 SHEET 1 OF 2 REV B

