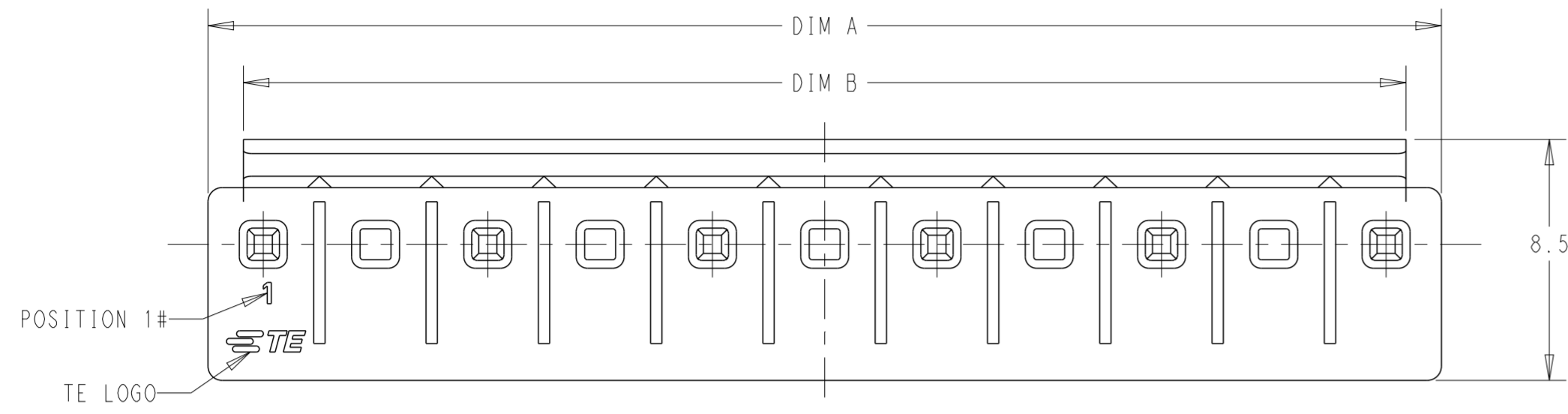
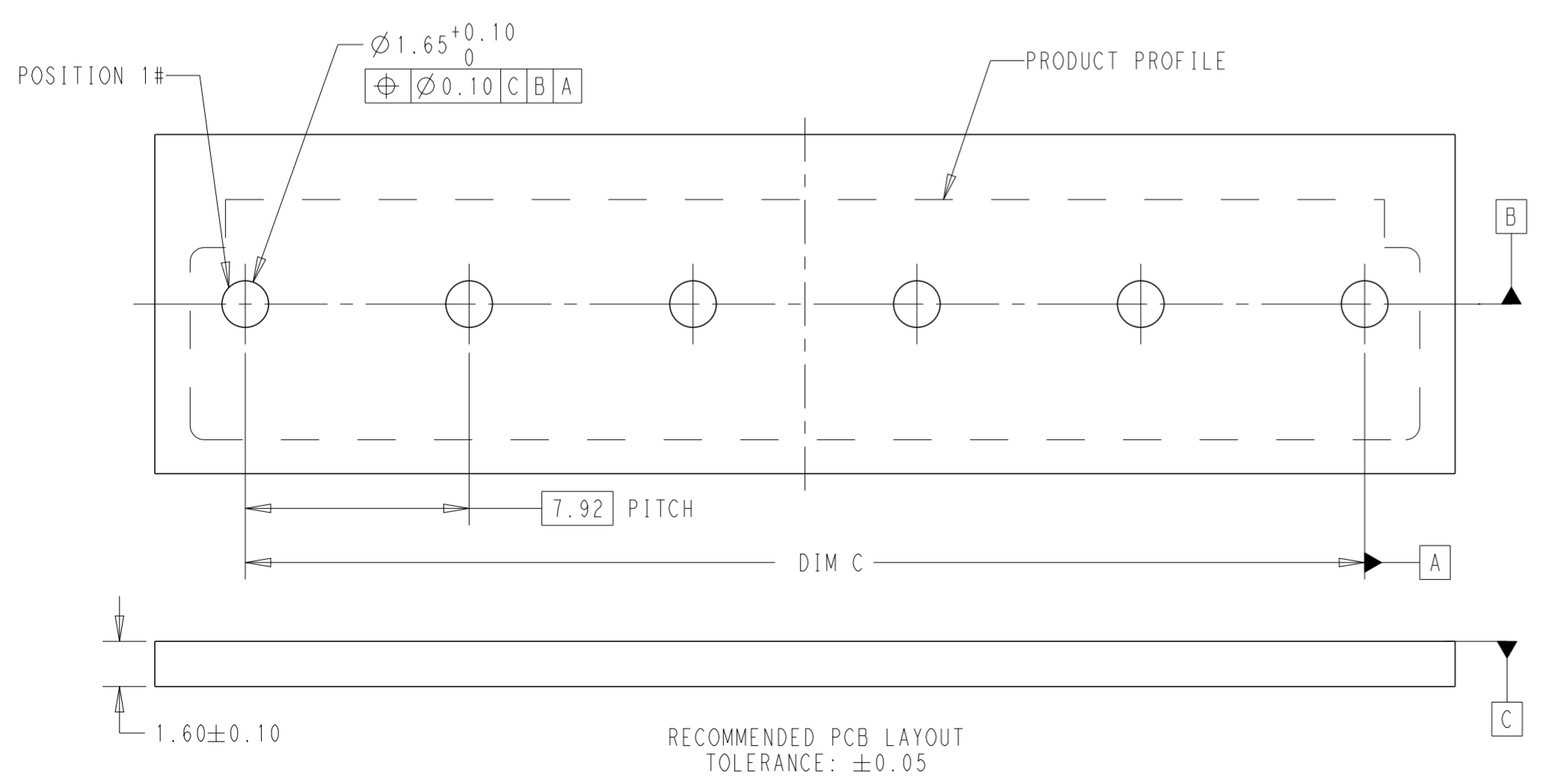
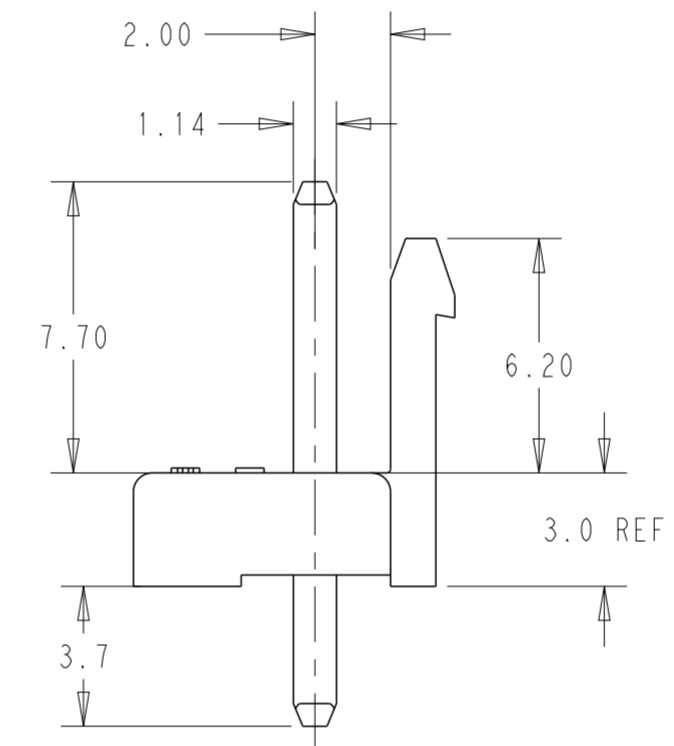
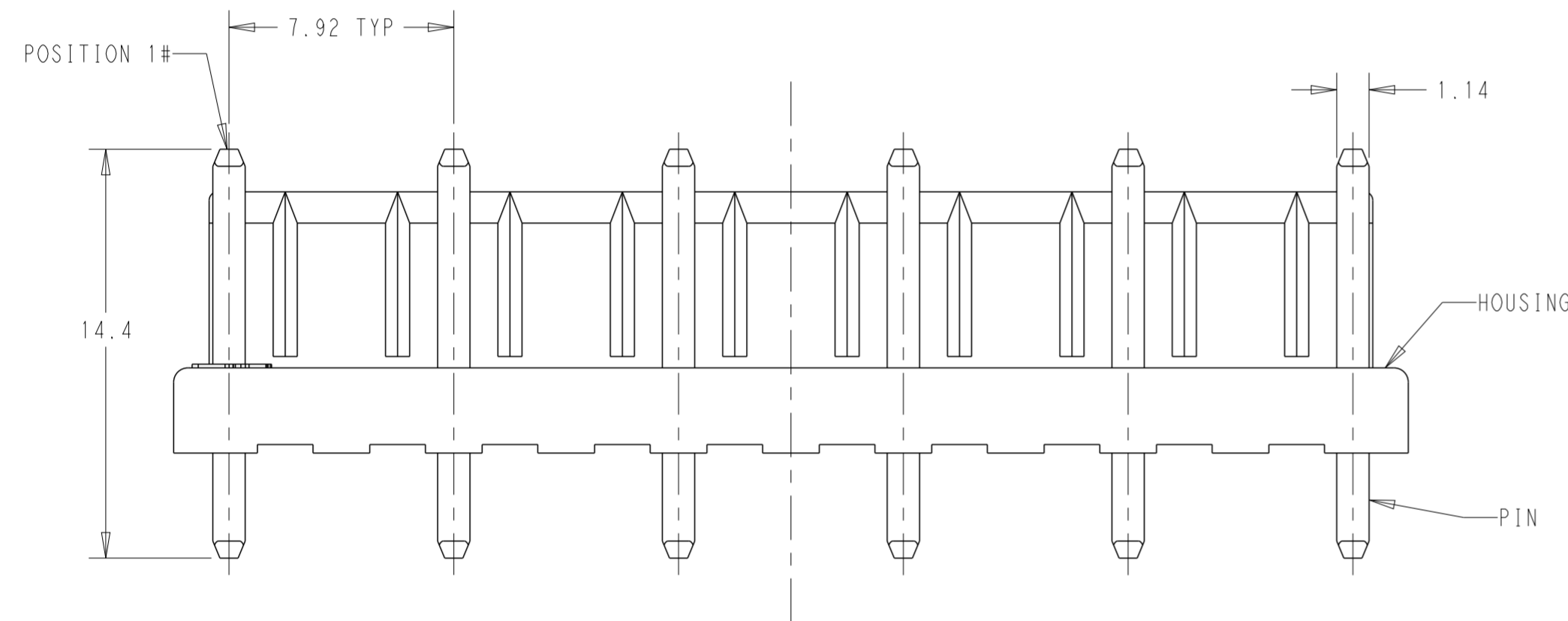


REVISIONS				
P	LTR	DESCRIPTION	DATE	APVD
A		REVISED PER ECN-22-148284	09APR2022	WH LC



- 1 MATERIAL:
HOUSING: HIGH PERFORMANCE RESIN, UL94-V0 COLOR: NATURAL
PIN CONTACT: COPPER ALLOY, 2.0μm MIN TIN OVERALL
- 2. DIMENSIONS SHOWN REPRESENT PRODUCT IN DRY, AS MOLDED, CONDITION.
- 3. RECOMMENDED MATING PART: []-2377130-[]
- 4. PACKAGING: LOOSE PIECE
- 5 O: WITH PIN
X: WITHOUT PIN



2375268-6 SHOWN

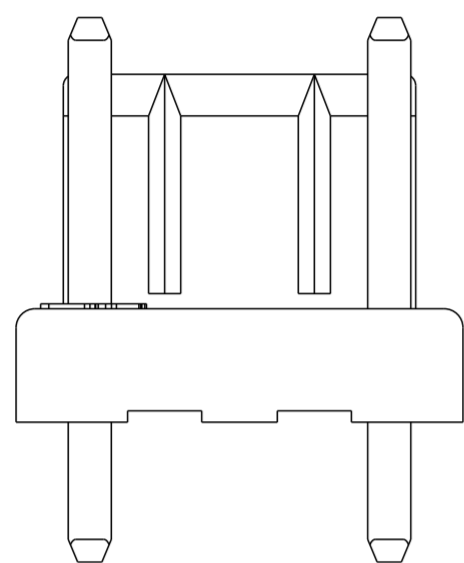
0	X	0	X	0	X	0	X	0	X	0	39.60	41.00	43.50	11	2375268-6
0	X	0	X	0	X	0	X	0	X	0	31.68	33.08	35.58	9	2375268-5
0	X	0	X	0	X	0					23.76	25.16	27.66	7	2375268-4
0	X	0	X	0							15.84	17.24	19.74	5	2375268-3
0	X	0									7.92	9.32	11.82	3	2375268-2
1	2	3	4	5	6	7	8	9	10	11	DIM C	DIM B	DIM A	POSITION	PART NO.

THIS DRAWING IS A CONTROLLED DOCUMENT.

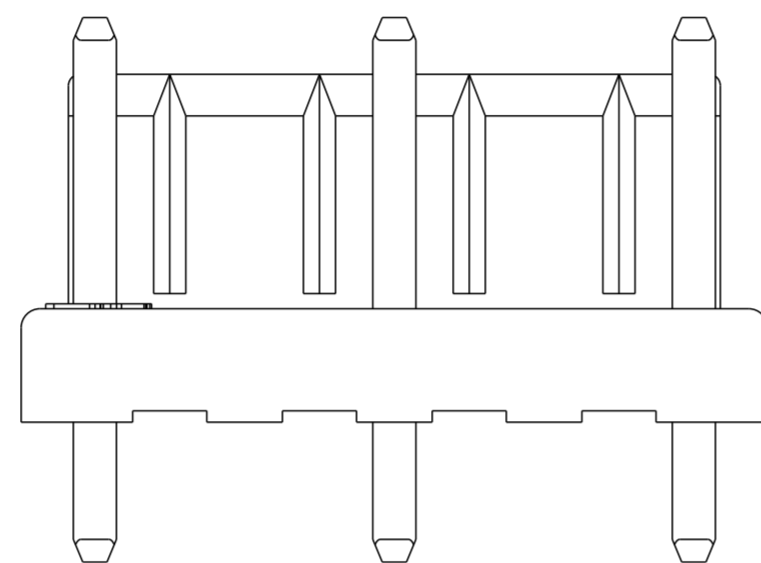
DIMENSIONS: mm	TOLERANCES UNLESS OTHERWISE SPECIFIED: 0 PLC ±0.5 1 PLC ±0.30 2 PLC ±0.30 3 PLC ± 4 PLC ± ANGLES ±3° FINISH	DWN: W HUO 04FEB2022 CHK: L CHEN 07FEB2022 APVD: D. ZHANG 07FEB2022	TE Connectivity	
		PRODUCT SPEC: 108-2297 APPLICATION SPEC: 114-13265	NAME: HEADER ASSEMBLY, UNSHROUDED SELECTIVE PIN, SINGLE ROW, EP3.96	
MATERIAL: 1	1	WEIGHT: -	SIZE: A2	CAGE CODE: 00779
CUSTOMER DRAWING		SCALE: N/A	DRAWING NO: C-2375268	RESTRICTED TO: -
			SHEET: 1 OF 2	REV: A

REVISIONS

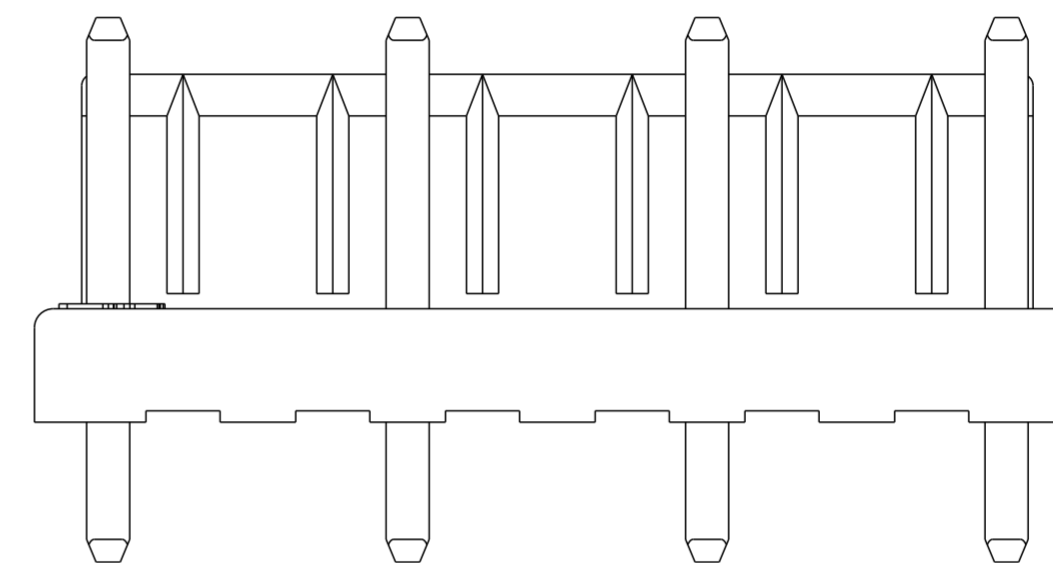
P	LTR	DESCRIPTION	DATE	DWN	APVD
-		SEE SHEET 1	-	-	-



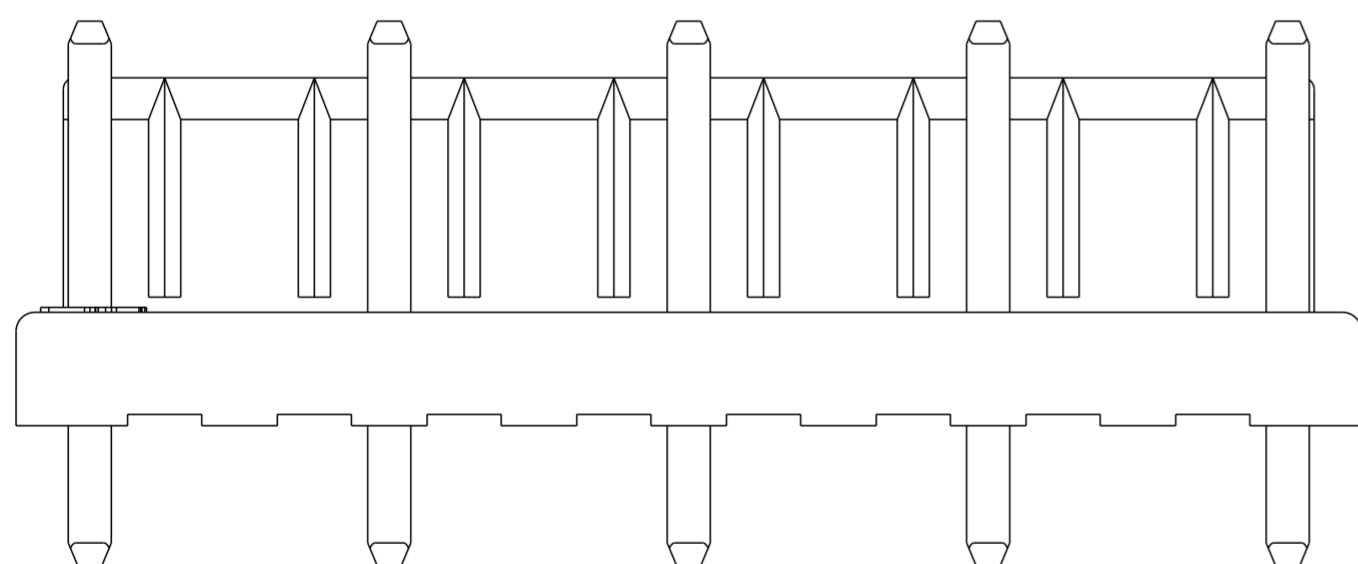
2375268-2
3P OMITTED 2



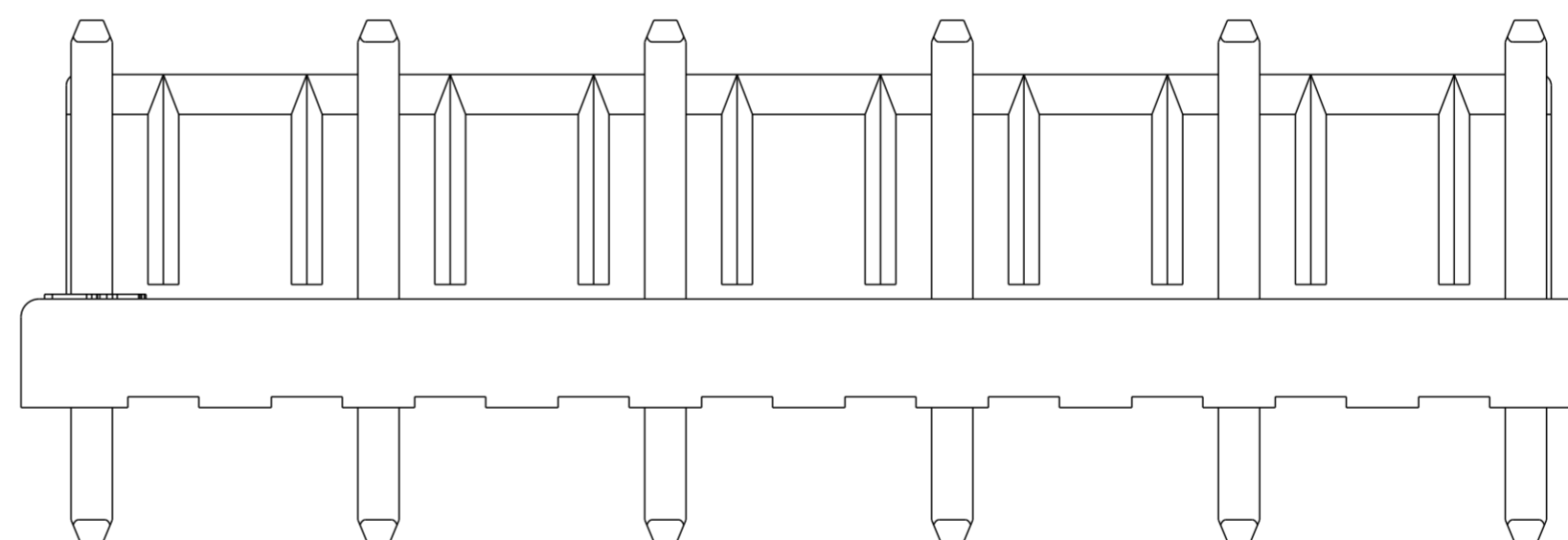
2375268-3
5P OMITTED 2&4




2375268-4
7P OMITTED 2,4&6



2375268-5
9P OMITTED 2,4,6&8



2375268-6
11P OMITTED 2,4,6,8&10

THIS DRAWING IS A CONTROLLED DOCUMENT.		DWN W. HUO 04FEB2022	 TE Connectivity	
DIMENSIONS: mm		CHK L. CHEN 07FEB2022		
TOLERANCES UNLESS OTHERWISE SPECIFIED:		APVD D. ZHANG 07FEB2022	NAME HEADER ASSEMBLY, UNSHROUDED SELECTIVE PIN, SINGLE ROW, EP3.96	
0 PLC ±		PRODUCT SPEC 108-2297	SIZE A2	
1 PLC ±0.5		APPLICATION SPEC 114-13265	CAGE CODE 00779	DRAWING NO C-2375268
2 PLC ±0.30		WEIGHT -	RESTRICTED TO -	
3 PLC ±		MATERIAL 1	SCALE N/A	
4 PLC ±			SHEET 2 OF 2	
ANGLES ±3°		REV A		
FINISH 1		CUSTOMER DRAWING		