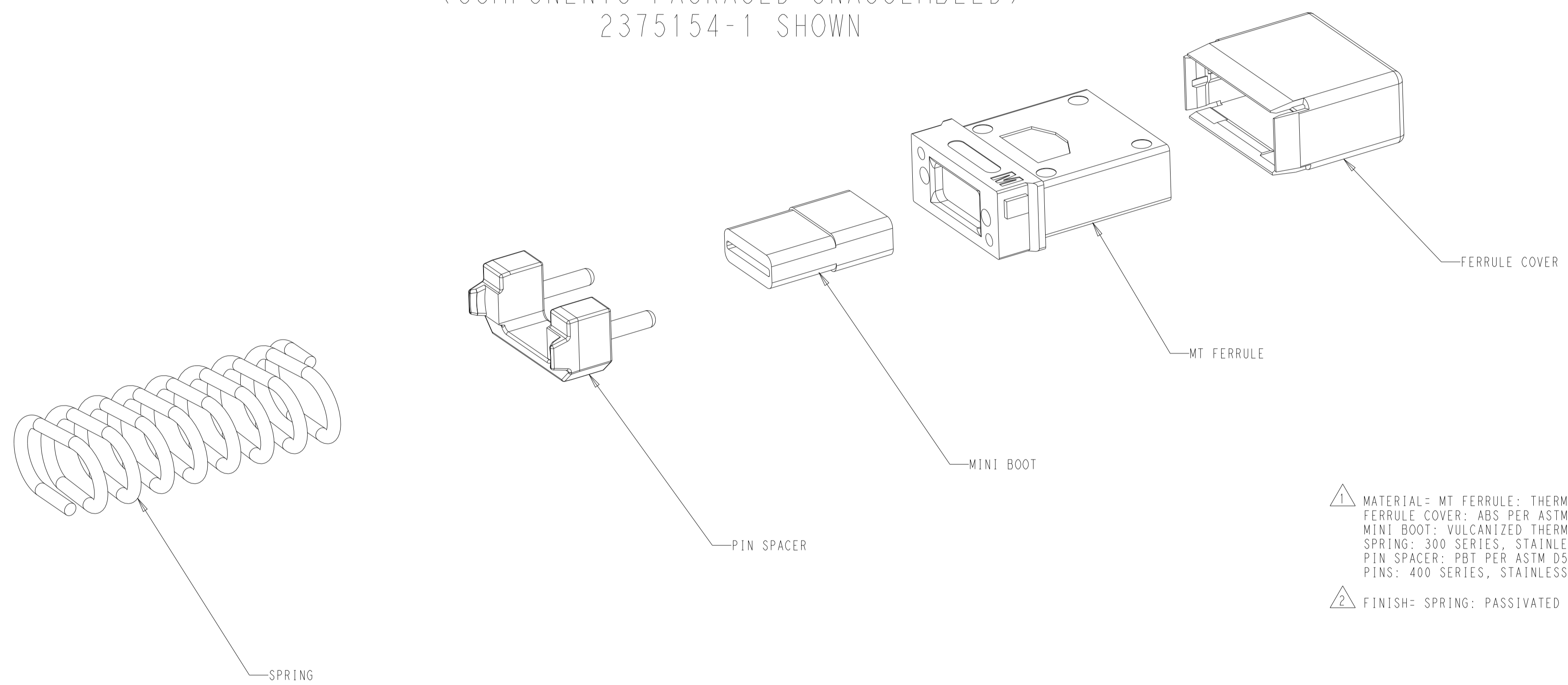


REVISIONS				
P	LTN	DESCRIPTION	DATE	APVD
1		PRELIMINARY	09JUN2020	-
A		RELEASED PER ECN-23-233928	11OCT2023	MM DR

MT FERRULE KIT
(COMPONENTS PACKAGED UNASSEMBLED)
2375154-1 SHOWN



- 1 MATERIAL= MT FERRULE: THERMOPLASTIC PER ASTM D4067
FERRULE COVER: ABS PER ASTM D4673
MINI BOOT: VULCANIZED THERMOPLASTIC POLYOLEFIN
SPRING: 300 SERIES, STAINLESS STEEL WIRE, PER ASTM A313
PIN SPACER: PBT PER ASTM D5927
PINS: 400 SERIES, STAINLESS STEEL, PER ASTM A276
- 2 FINISH= SPRING: PASSIVATED

24 FIBER, MULTI-MODE, LOW-LOSS GRADE	2375154-2
12 FIBER, MULTI-MODE, LOW-LOSS GRADE	2375154-1
MT FERRULE TYPE	KIT PART NUMBER

THIS DRAWING IS A CONTROLLED DOCUMENT.		OWN	D. FABIAN	09JUN2020
DIMENSIONS:		CHK	-	-
mm	0 PLC ±	APVD	-	-
	1 PLC ±	PRODUCT SPEC	-	-
	2 PLC ±0.13	APPLICATION SPEC	-	-
	3 PLC ±0.013	SIZE	CAGE CODE	DRAWING NO
	4 PLC ±	WEIGHT	A	00779
	ANGLES ±1	CUSTOMER DRAWING	SCALE	8:1
	FINISH	RESTRICTED TO	SHEET	1
			OF	1
			REV	A