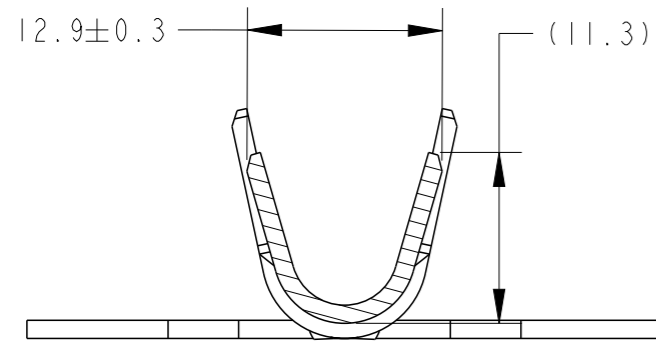
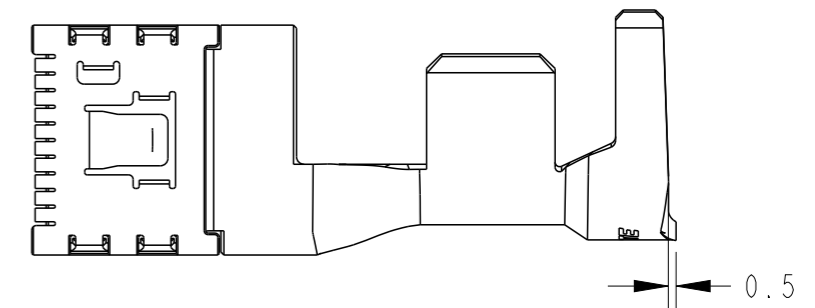
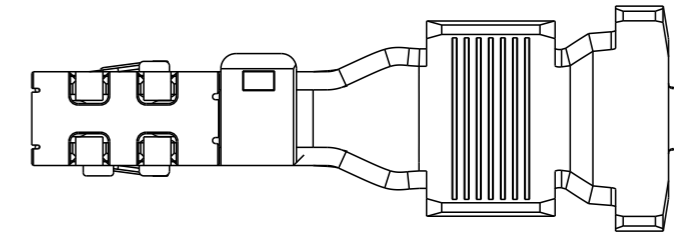
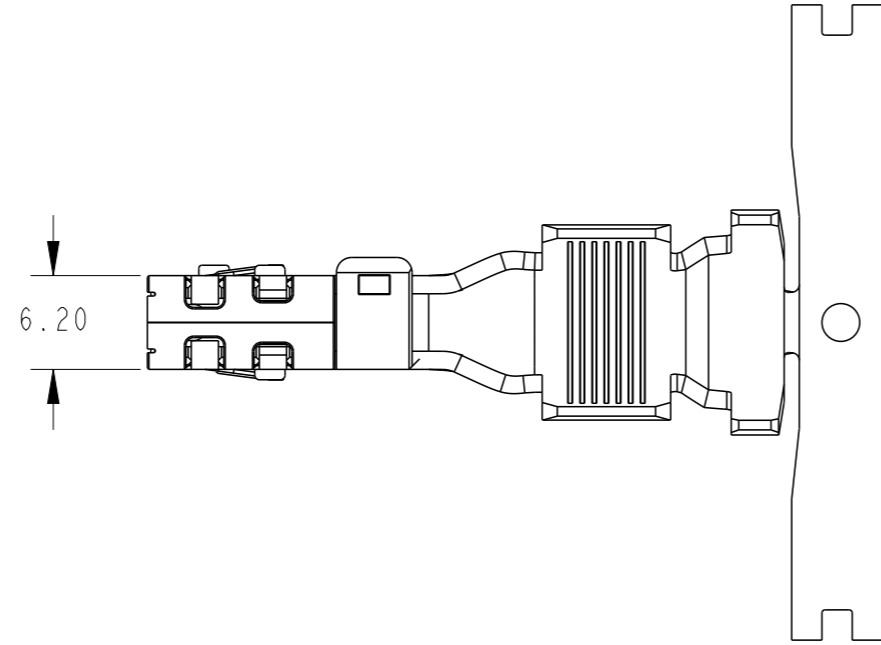
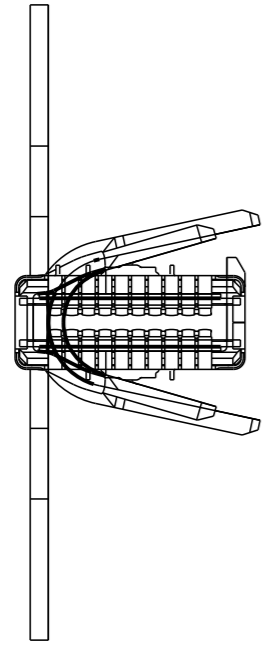
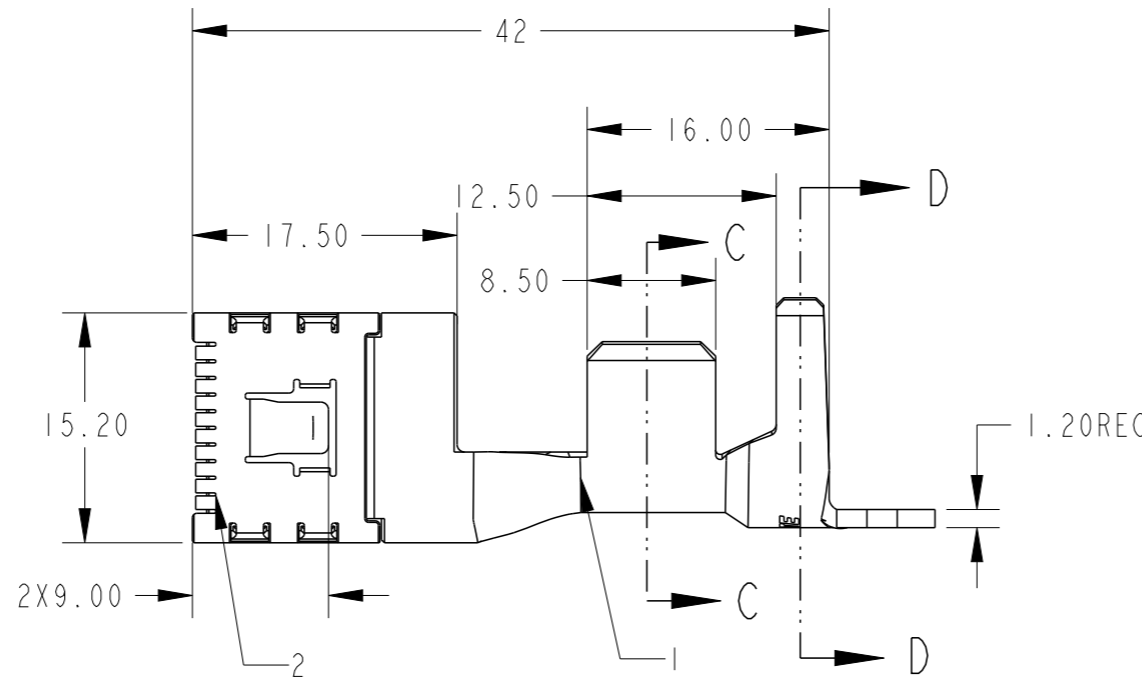


P	LTR	DESCRIPTION	DATE	DWN	APVD
	A	INITIAL	23JUN2020	A.W	R.B
	AI	ADD NEW PART FOR LOOSE PIECE	29MAY2023	F.Z	R.B

2373747-5 AS SHOWN



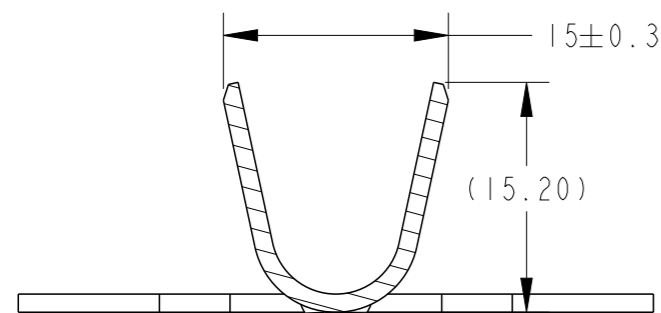
SECTION C-C
SCALE 2:1



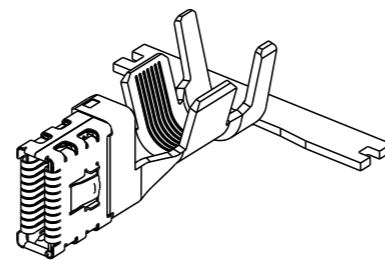
PN: 2373747-5
(CONTACT WITH CARRIER)

SCALE 2:1
PN: 2373747-6
(CONTACT W/O CARRIER)

NOTE
1. APPLICABLE WIRE RANGE: AHHEX 25SQ



SECTION D-D
SCALE 2:1



NO.	DESCRIPTION	MATERIAL	FINISH	P/N
2	LOOSE PIECE	COPPER ALLOY	Ag	2373747-6
1	SPRING	COPPER ALLOY	Ag	2373747-5
1	BODY	COPPER ALLOY	Ag	

THIS DRAWING IS A CONTROLLED DOCUMENT.

DIMENSIONS: mm	TOLERANCES UNLESS OTHERWISE SPECIFIED:
	0 PLC ±0.3
	1 PLC ±0.3
	2 PLC ±0.3
	3 PLC ±0.3
	4 PLC ±0.3
	ANGLES ±3
MATERIAL TBD	FINISH -

DWN	ALVIN.W	22JUN2020
CHK	RICK.B	22JUN2020
APVD	RICK.B	22JUN2020
PRODUCT SPEC	108-78768	
APPLICATION SPEC	114-78058	
WEIGHT	-	

STE TE Connectivity

NAME: REC CONTACT DYNAMIC 8000

SIZE	CAGE CODE	DRAWING NO	RESTRICTED TO
A3	00779	C-2373747	-

CUSTOMER DRAWING SCALE 1:1 SHEET 1 OF 1 REV AI