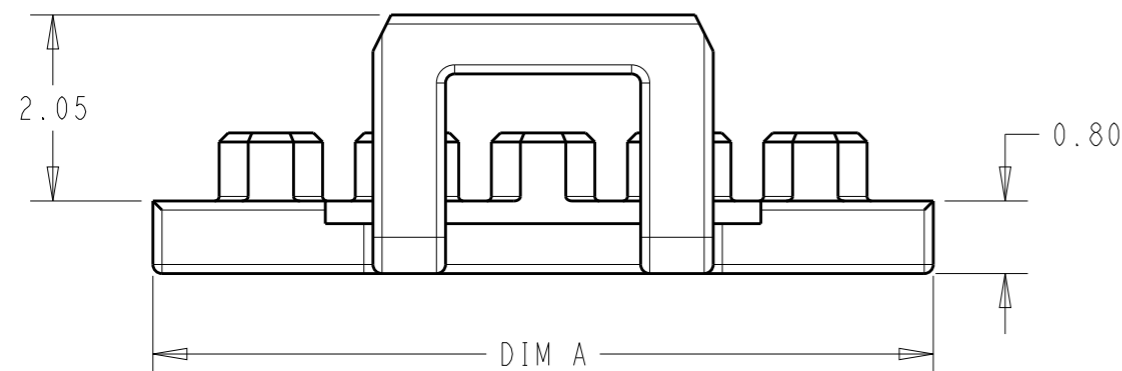
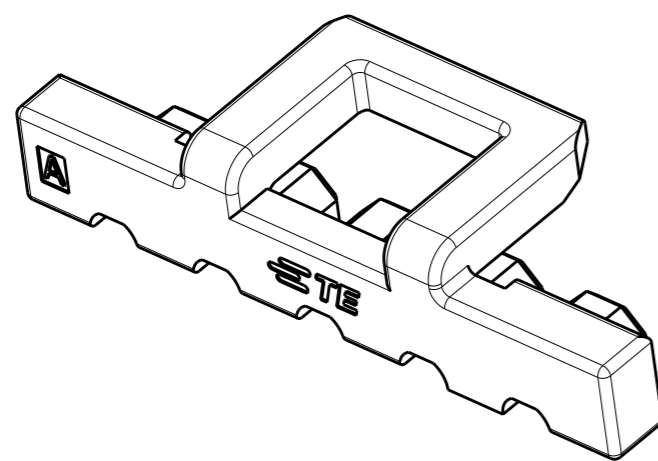
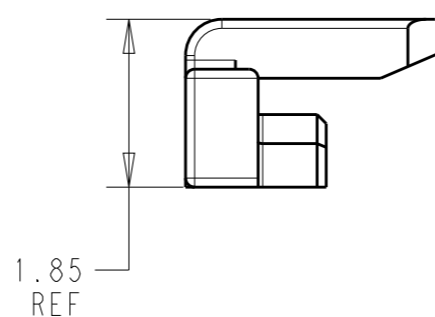
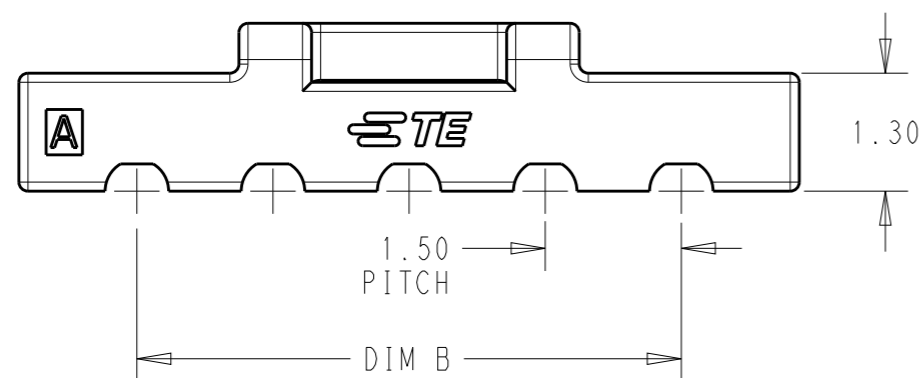


P	LTR	DESCRIPTION	DATE	DWN	APVD
	A	INITIAL RELEASE	14SEP2020	L.C	D.Z



- 1 MATERIAL: PBT, COLOR: BLACK.
- 2 APPLICABLE CONNECTOR P/N: X-2371671-X.
- 3 PRELIMINARY: NOT RELEASED FOR PRODUCTION
THIS PRODUCT HAS NOT COMPLETED QUALIFICATION TESTING.



16.50	19.10	TPA, SGI 1.50, 12 POS	3	1-2371602-2
15.00	17.60	TPA, SGI 1.50, 11 POS	3	1-2371602-1
13.50	16.10	TPA, SGI 1.50, 10 POS	3	1-2371602-0
12.00	14.60	TPA, SGI 1.50, 9 POS	3	2371602-9
10.50	13.10	TPA, SGI 1.50, 8 POS	3	2371602-8
9.00	11.60	TPA, SGI 1.50, 7 POS	3	2371602-7
7.50	10.10	TPA, SGI 1.50, 6 POS	3	2371602-6
6.00	8.60	TPA, SGI 1.50, 5 POS		2371602-5
4.50	7.10	TPA, SGI 1.50, 4 POS	3	2371602-4
3.00	5.60	TPA, SGI 1.50, 3 POS	3	2371602-3
1.50	4.10	TPA, SGI 1.50, 2 POS	3	2371602-2
DIM B	DIM A	DESCRIPTION	TCPN	
PRODUCT				

THIS DRAWING IS A CONTROLLED DOCUMENT.		DWN LEO CHEN 29MAR2020	STC TE Connectivity	
DIMENSIONS: mm		CHK DANIEL ZHANG 29MAR2020		
TOLERANCES UNLESS OTHERWISE SPECIFIED:		APVD DANIEL ZHANG 29MAR2020	NAME TPA, SGI 1.50	
0 PLC ±-		PRODUCT SPEC 108-106451	SIZE A3	
1 PLC ±0.30		APPLICATION SPEC 114-106497	CAGE CODE 00779	DRAWING NO C-2371672
2 PLC ±0.15		WEIGHT -	RESTRICTED TO -	
3 PLC ±-		MATERIAL SEE NOTE	SCALE 12:1	
4 PLC ±-			SHEET 1 OF 1	
ANGLES ±-		REV A		
FINISH -		CUSTOMER DRAWING		