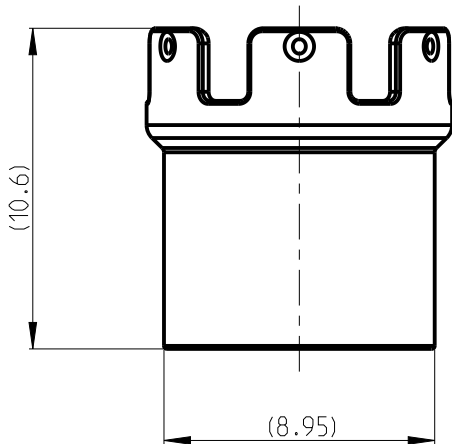
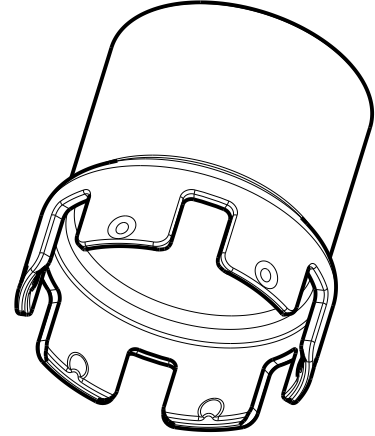
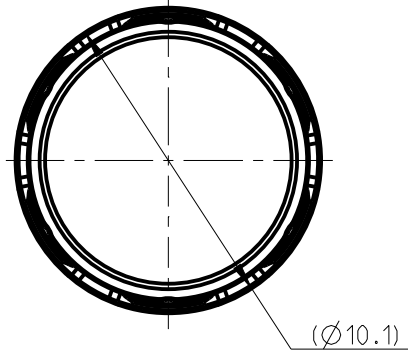


REVISIONS					
P	LTR	DESCRIPTION	DATE	DWN	APVD
	A	INITIAL RELEASE	15MAY21	Z.C	I.Y



- 1 MATERIAL: COPPER ALLOY
- 2 FINISH: UNDERPLATE: DUCTILE NICKEL, TOP PLATE: SILVER
- 3. PARTS MUST FREE OF BURRS, CRACKS, OR OTHER VISUAL IMPERFECTIONS THAT MAY AFFECT FIT FORM OR FUNCTION.

© 2021 TE Connectivity. All Rights Reserved.

2371243-1
PART NO.

DIMENSIONS: mm		DWN Z.CHEN 29APR2021	MATERIAL	FINISH	
TOLERANCES UNLESS OTHERWISE SPECIFIED:		CHK J.LI 30APR2021	1	2	
0 PLC ±		APVD I.YIN 09MAY2021	TE TE Connectivity		
1 PLC ±		PRODUCT SPEC 108-160170			
2 PLC ±		APPLICATION SPEC 114-160093	SIZE	CAGE CODE	DRAWING NO
3 PLC ±		WEIGHT -	A 4	00779	C=2371243
4 PLC ±		CUSTOMER DRAWING	SCALE		RESTRICTED TO
ANGLES ±			4:1		-
			SHEET		REV
			1 OF 1		A