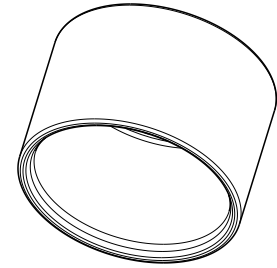
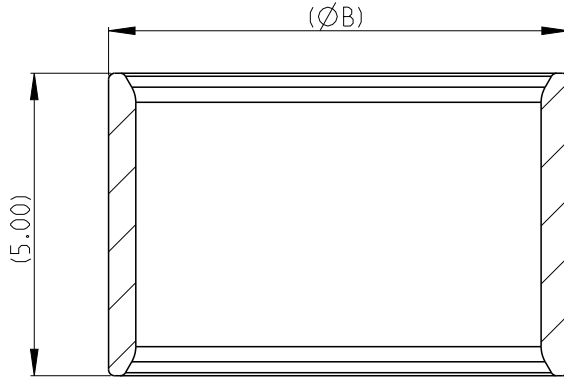
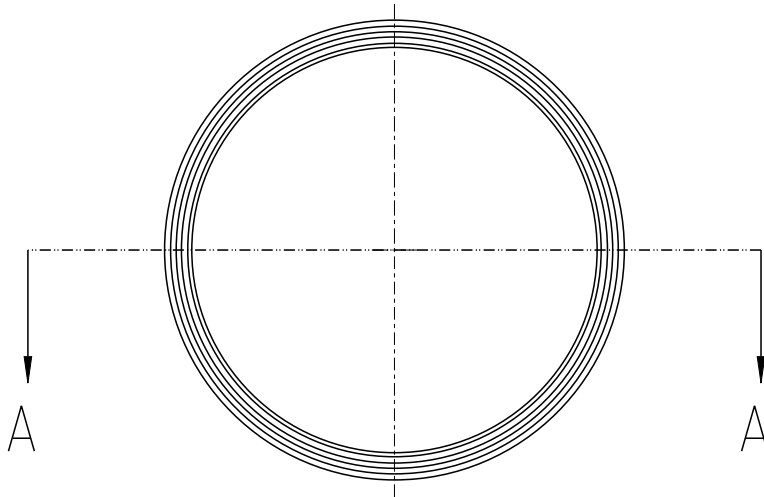


REVISIONS					
P	LTR	DESCRIPTION	DATE	DWN	APVD
	A	INITIAL RELEASE	26MAY21	Z.C	I.Y
	A1	REVISION(ECR-23-173163)	23APR23	T.H	Z.Z
	A2	REVISION(ECR-23-185542)	30AUG23	T.H	Z.Z



SCALE 4:1

SECTION A-A



- 1 MATERIAL: COPPER ALLOY
- 2 FINISH: BARE

3. PARTS MUST FREE OF BURRS, CRACKS, OR OTHER VISUAL IMPERFECTIONS THAT MAY AFFECT FIT FORM OR FUNCTION



5.00	5.40	7.60	SIZE D, FOR 3SQM	2371242-4
5.50	6.50	7.45	SIZE C, FOR 6SQM	2371242-3
5.30	5.80	7.60	SIZE B, FOR 4SQM	2371242-2
4.20	4.70	7.60	SIZE A, FOR 2.5SQM	2371242-1
MIN.	MAX.			
WIRE O.D.		DIM. B	DESCRIPTION	PART NO.

© 2021 TE Connectivity. All Rights Reserved.

DIMENSIONS: mm		DWN Z.CHEN 29APR2021	MATERIAL		FINISH	
TOLERANCES UNLESS OTHERWISE SPECIFIED:		CHK J.LI 29APR2021	1		2	
0 PLC ± 1 PLC ±0.2 2 PLC ±0.10 3 PLC ±0.013 4 PLC ±0.0001 ANGLES ±		APVD I.YIN 26MAY2021	TE TE Connectivity			
PRODUCT SPEC 108-160170		NAME INNER FERRULE HD400 2P 3P				
APPLICATION SPEC 114-160093		SIZE A 4	CAGE CODE 00779	DRAWING NO C=2371242	RESTRICTED TO -	
WEIGHT -		SCALE 8:1				
CUSTOMER DRAWING		SHEET 1 OF 1		REV A2		