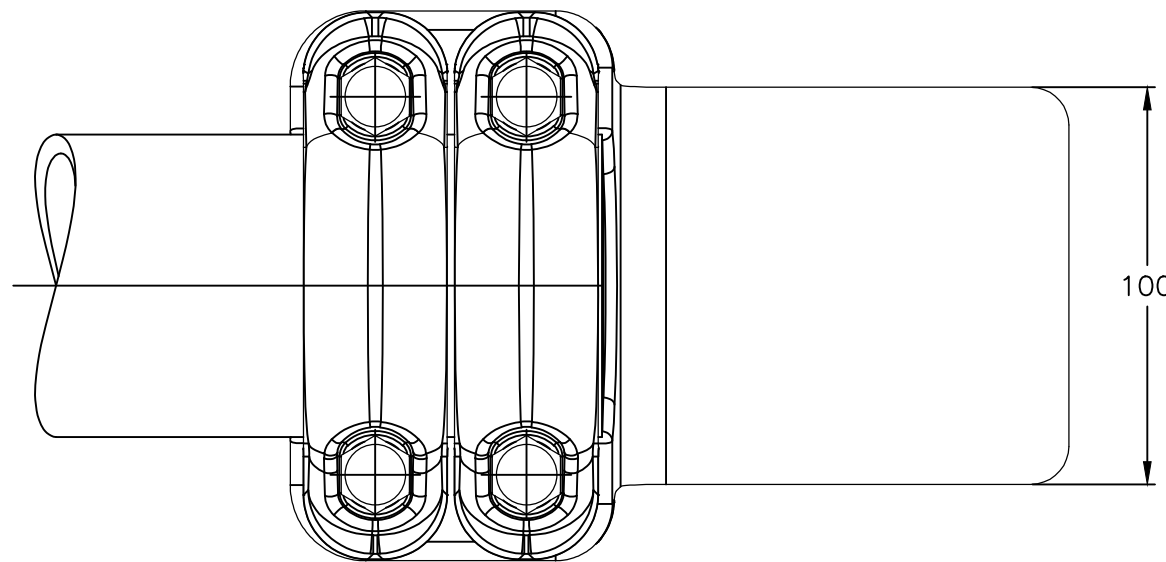
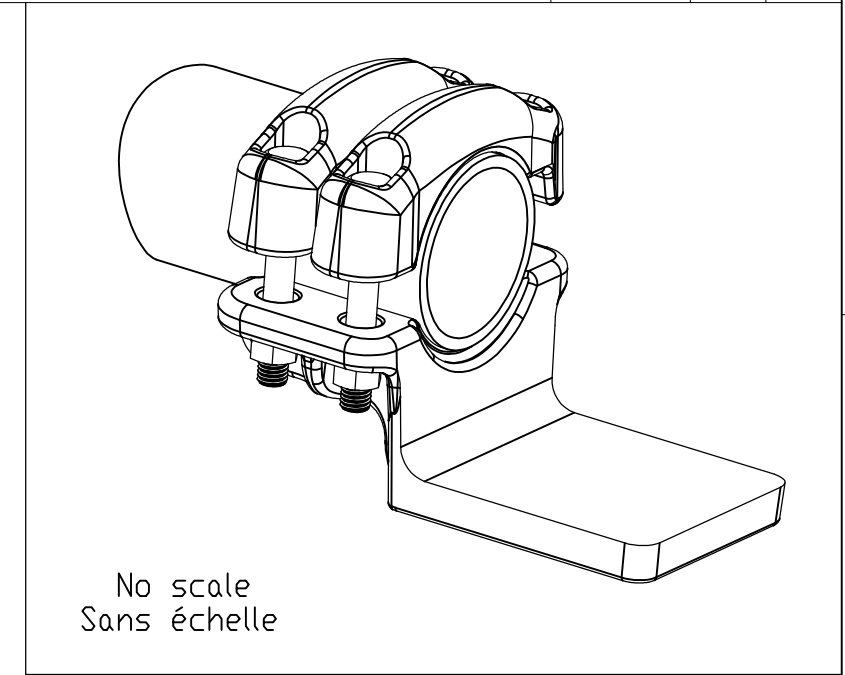
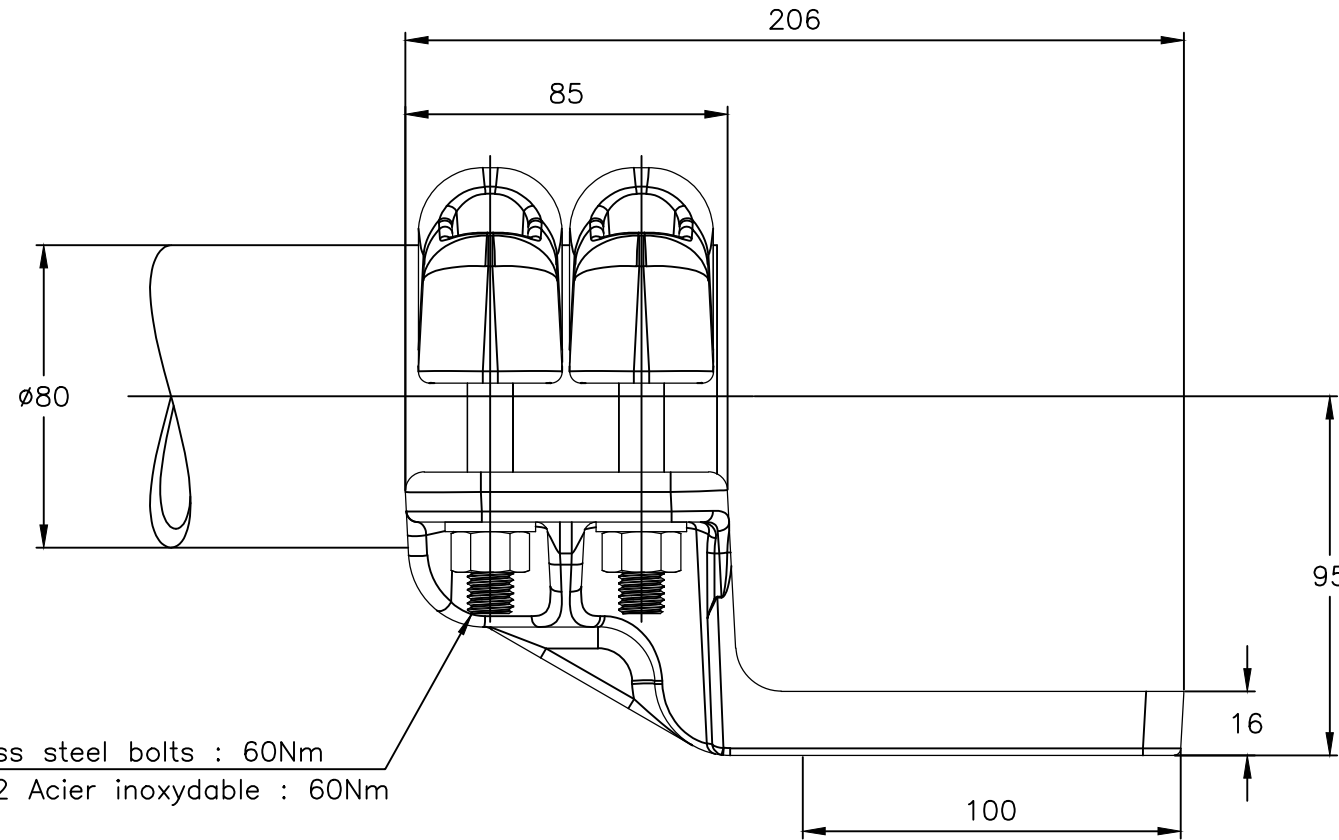

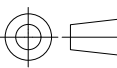


REVISIONS					
P	LTR	DESCRIPTION	DATE	DWN	APVD
	A	CREATION	18-MAR-20	BH	-



THIS DRAWING IS A CONTROLLED DOCUMENT.		DWN	18MAR2020		 <b>TE Connectivity</b>
		CHK	-		
		APVD	-		
		PRODUCT SPEC	108-69090-001		
DIMENSIONS: mm 		TOLERANCES UNLESS OTHERWISE SPECIFIED: 0 PLC ± - 1 PLC ± - 2 PLC ± - 3 PLC ± - 4 PLC ± - ANGLES ± -		NAME	<b>BUSBAR CONNECTOR TO HORIZONTAL PAD</b> <b>RACCORD TUBE SUR PLAGÉ DÉPORTÉE</b> <b>5 TTPD 82 T80 100</b>
MATERIAL		FINISH		APPLICATION SPEC	
				WEIGHT	2.3 kg
				SIZE	A3
				CAGE CODE	00779
				DRAWING NO	C-2371156
				SCALE	1:2
				SHEET	1 OF 1
				REV	A
CUSTOMER DRAWING					