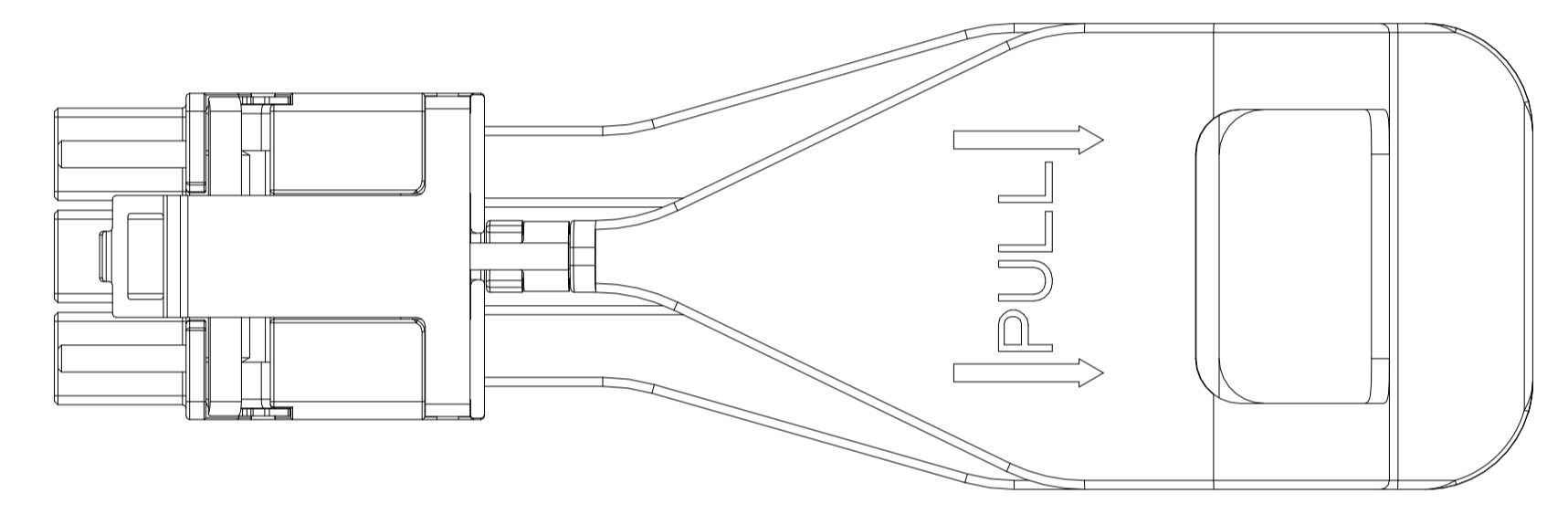
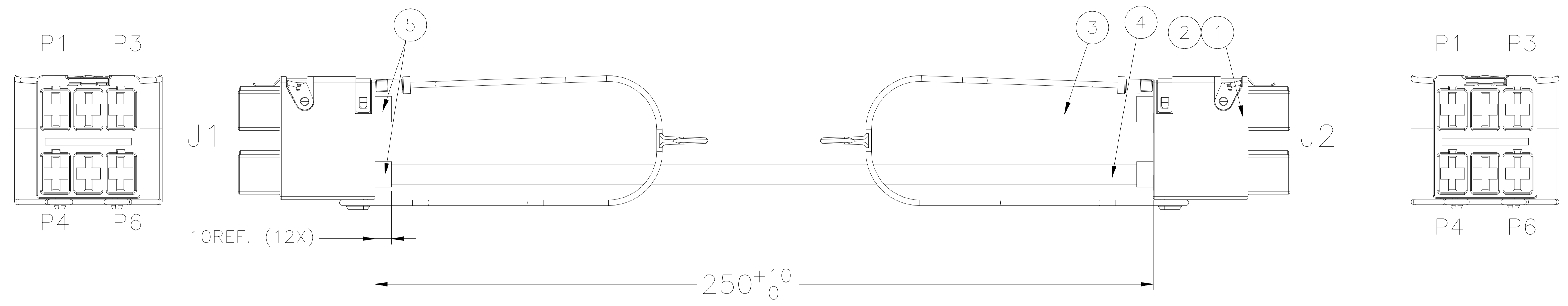


REVISIONS				
REV	DATE	DESCRIPTION	BY	CHK
A	05NOV2021	REVISED PER ECN-21-125374	SB	WY



NOTES:

- 100% ELECTRICAL TEST FOR CONTINUITY, OPENS AND SHORTS.
- ROHS COMPLIANCE: PRODUCT AND PROCESSING MEETS REQUIREMENTS OF TE SPECIFICATION TEC-138-702.

WIRING CHART		
FROM	TO	COLOR
J1-P1	J2-P3	RED
J1-P2	J2-P2	RED
J1-P3	J2-P1	RED
J1-P4	J2-P6	BLACK
J1-P5	J2-P5	BLACK
J1-P6	J2-P4	BLACK

2370756-1
TE P/N

QTY	U/M	DESCRIPTION	ITEM
0.12	MR	H.S.T ID:5.0MM COLOR:BLACK	5
0.8	MR	UL WIRE 10AWG BLACK, PVC	4
0.8	MR	UL WIRE 10AWG RED, PVC	3
12	PC	CONTACT ELCON MINI, GOLD PLATING	2
2	PC	ELCON MINI 3P CABLE CONN,PULL-TAB	1

THIS DRAWING IS A CONTROLLED DOCUMENT.

DIMENSIONS: mm	TOLERANCES UNLESS OTHERWISE SPECIFIED:	0. PLC ±	1. PLC ±	2. PLC ±	3. PLC ±	4. PLC ±	ANGLES ±
MATERIAL	FINISH	WEIGHT	0	SIZE	A1	CAGE CODE	00779
CUSTOMER DRAWING		SCALE	N.T.S.	SHEET	1 of 1	REV	A

DWG: KYLIN YAO 09MAR2020
 CHK: -
 APVD: WILLIAM YAO 09MAR2020
 NAME: Cable Assy, 2X3 ELCON MINI
 PRODUCT SPEC: -
 APPLICATION SPEC: -
 RESTRICTED TO: -
 DRAWING NO: 2370756