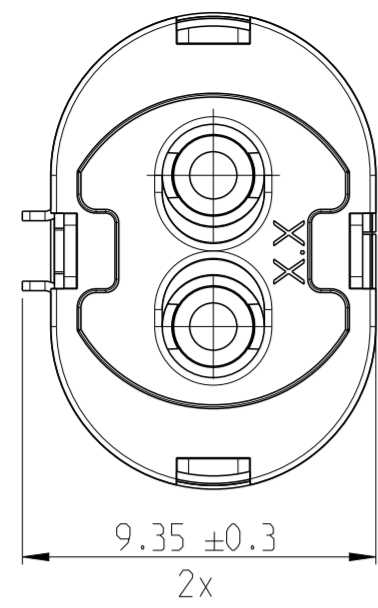
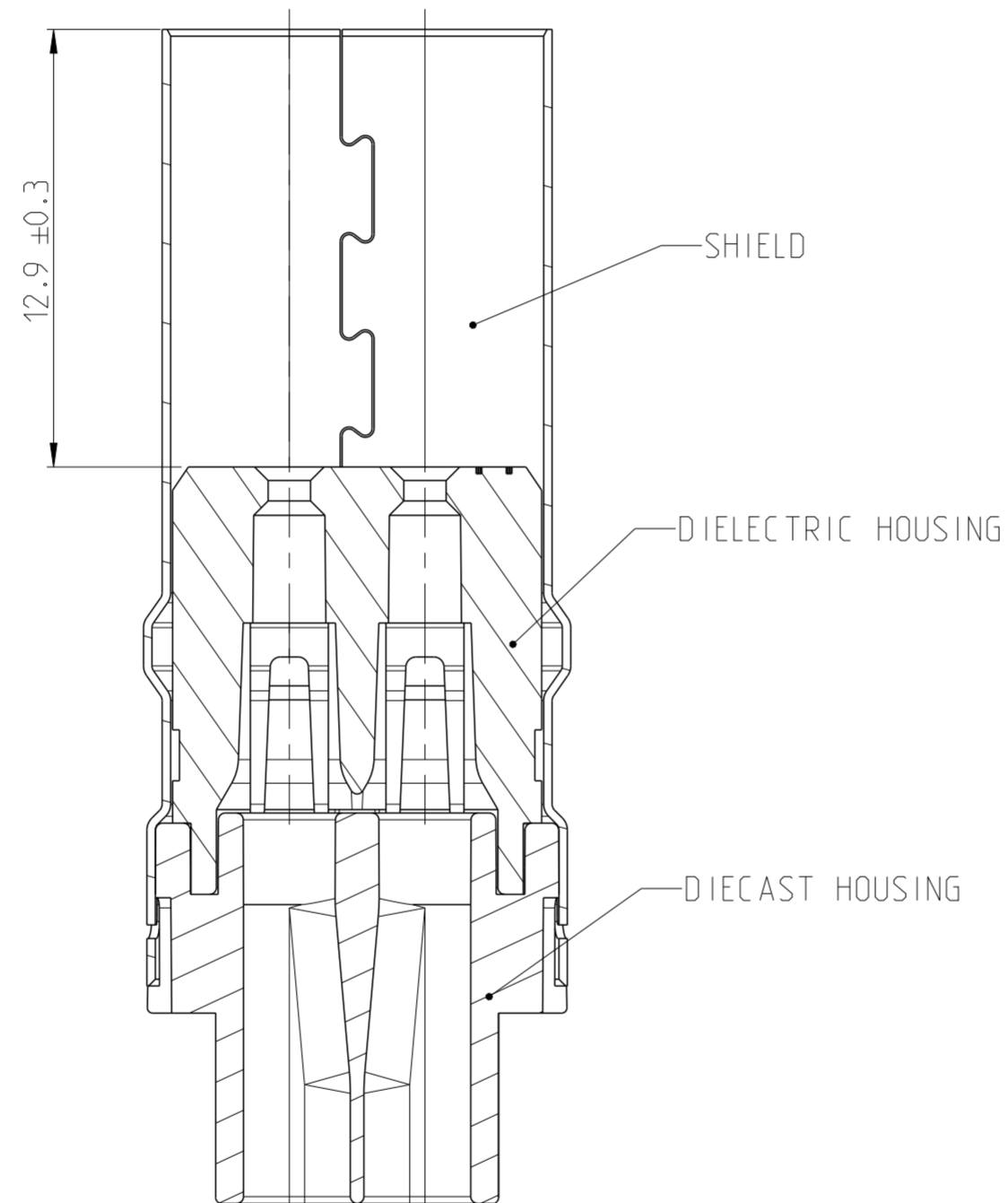
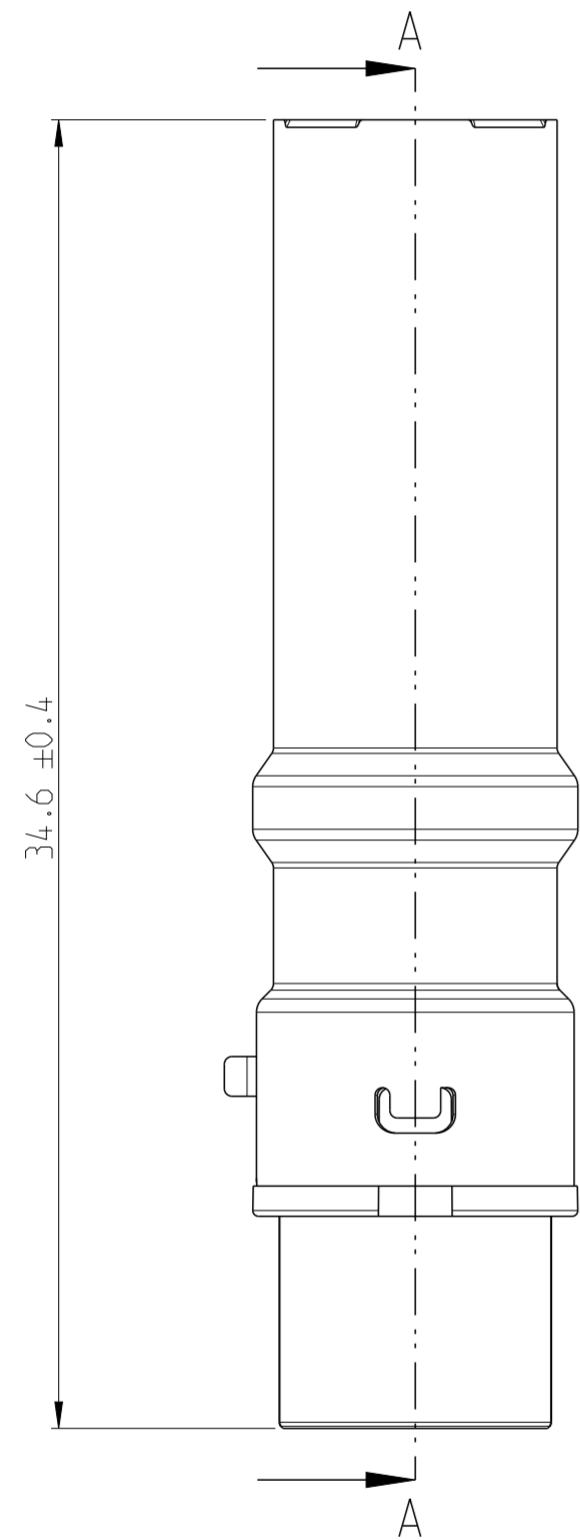


| P  | LTR | DESCRIPTION                  | DATE      | DWN | APVD |
|----|-----|------------------------------|-----------|-----|------|
| A  |     | NEW DRAWING                  | 30MAR2020 | KS  | JB   |
| B  |     | RELEASE PER ECN-22-171145    | 25AUG2022 | DFS | DFS  |
| B1 |     | RELEASE PER ECN-23-206310    | 31MAR2023 | VP  | VP   |
| B2 |     | ECR-23-190856-Drawing Update | 26Nov2023 | VP  | VP   |



SECTION A-A



NOTES:

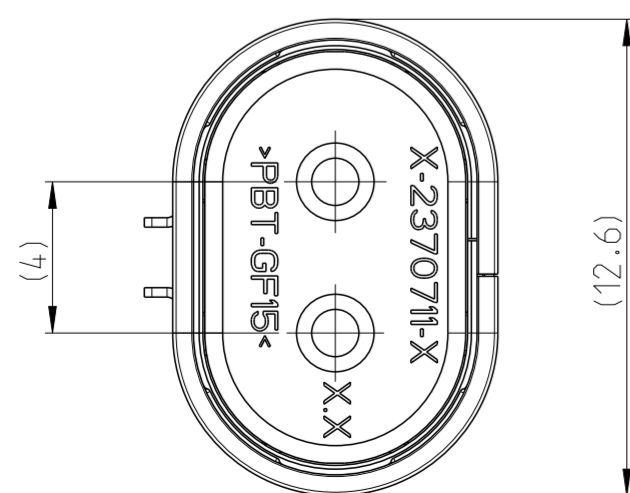
1 MATERIALS:

DIELECTRIC HOUSING:  
 GENERIC TYPE: PBT-GF15  
 COLOR: BLACK

DIECAST HOUSING:  
 GENERIC TYPE: ZAMAK Z35523

SHIELD:  
 GENERIC BASE METAL TYPE: COPPER ALLOY  
 GENERIC PLATING TYPE: TIN OVER NICKEL

- MATES WITH ASSEMBLIES X-2367341-X AND X-2383999-X.
- REFER TO DT HIGHSPEED PRODUCT GROUP DRAWING: 2395877 FOR INFORMATION REGARDING MATING COMPONENTS, ACCESSORIES, AND APPLICATION TOOLING.



9-2370710-1  
 TE ORDER-NO.  
 TE Bestell-Nr.

|  |  |                               |   |                          |
|--|--|-------------------------------|---|--------------------------|
| THIS DRAWING IS A CONTROLLED DOCUMENT. |  | DWN<br>K. Schang<br>27MAR2020 | TE Connectivity                               |                          |
| DIMENSIONS:<br>mm                      |  | CHK<br>S. Helm<br>30MAR2020   |   |                          |
| TOLERANCES UNLESS OTHERWISE SPECIFIED: |  | APVD<br>J. Barth<br>30MAR2020 | NAME<br>DT Highspeed<br>CAP TERMINAL ASSEMBLY |                          |
| 0 PLC ±                                |  | PRODUCT SPEC<br>108-94825     | SIZE<br>A2                                    |                          |
| 1 PLC ±                                |  | APPLICATION SPEC<br>114-94706 | CAGE CODE<br>00779                            | DRAWING NO.<br>C-2370710 |
| 2 PLC ±                                |  | WEIGHT<br>5.4 g               | RESTRICTED TO<br>-                            |                          |
| 3 PLC ±                                |  | CUSTOMER DRAWING              | SCALE<br>5:1                                  | SHEET<br>1 OF 1          |
| 4 PLC ±                                |  |                               | REV<br>B2                                     |                          |
| ANGLES ±                               |  |                               |   |                          |
| FINISH                                 |  |                               |   |                          |