

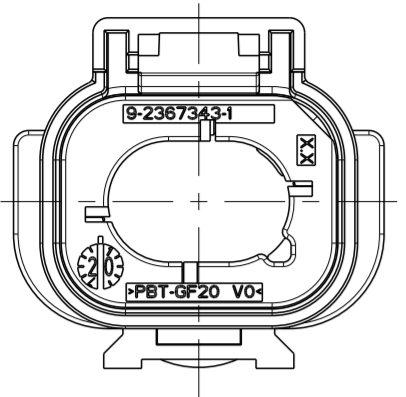
© 2020 TE Connectivity. All Rights Reserved.

CODING "A"
Kodierung

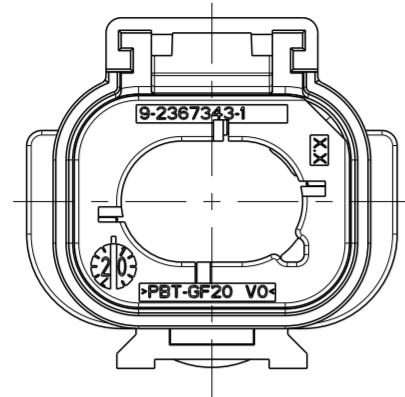
CODING "B"
Kodierung

CODING "C"
Kodierung

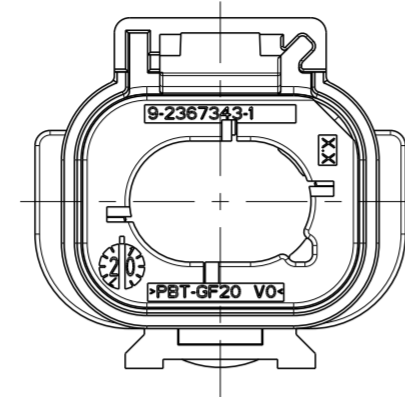
CODING "D"
Kodierung



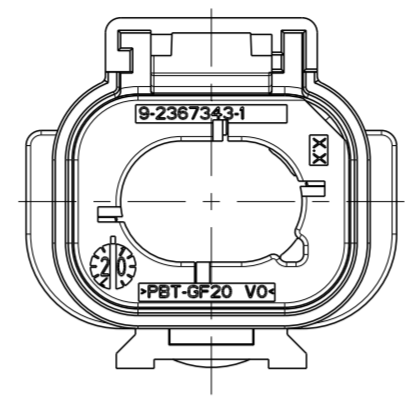
PN: 9-2367341-1



PN: 9-2367341-2

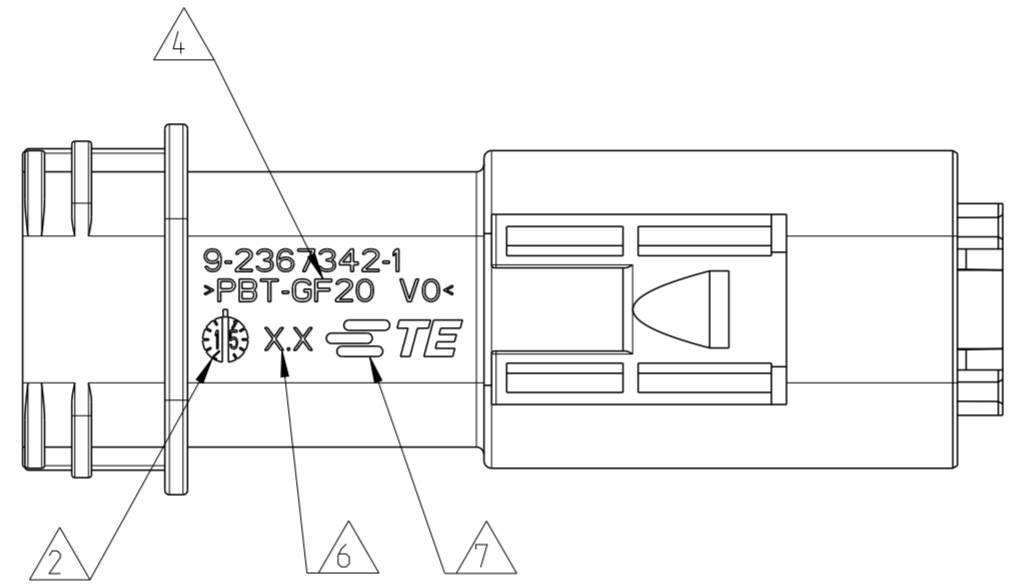


PN: 9-2367341-3

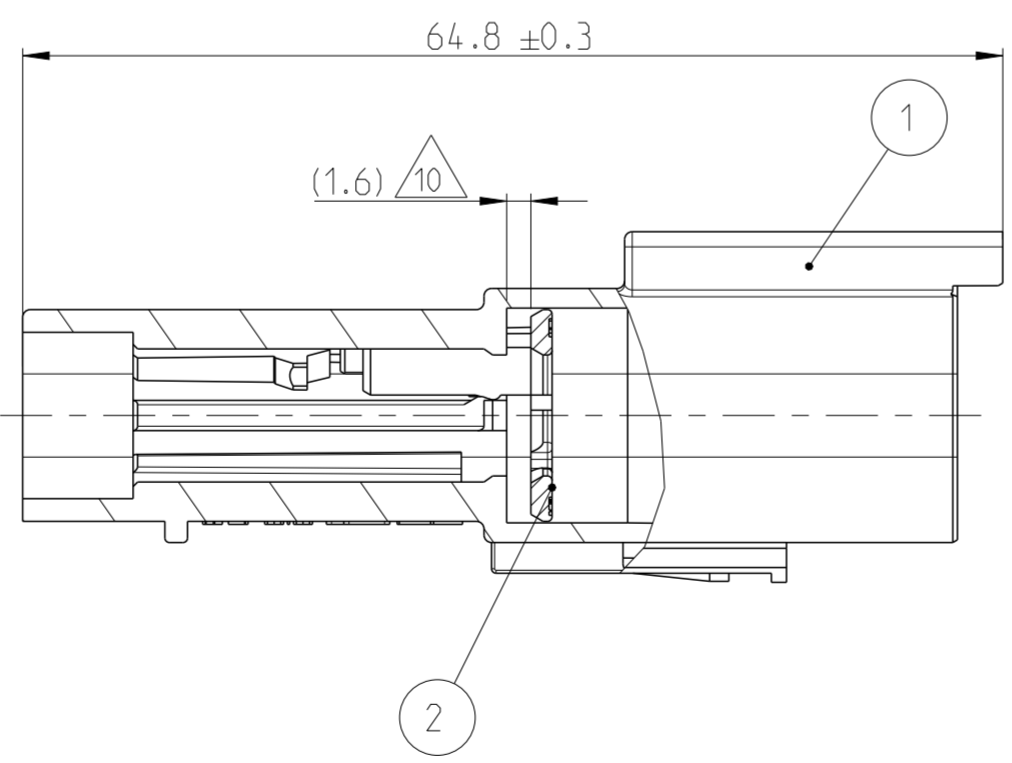
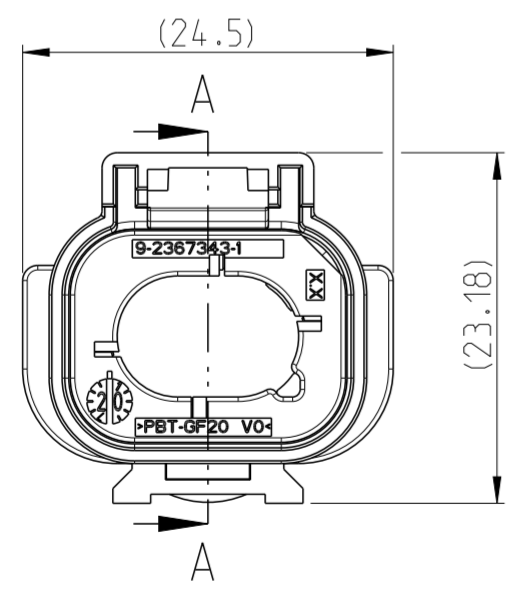


PN: 9-2367341-4

DELIVERY CONDITION:
TPA IN PRE-LOCKED POSITION
Lieferzustand:
TPA in Vorraststellung



SECTION A-A



REVISIONS					
P	LTR	DESCRIPTION	DATE	DWN	APVD
A1		Coding B, C, D released	26AUG2021	KS	JB
B		Coding changed for better efficiency	18MAR2022	SH	JB
C		CODE C UPDATED AND REV MARKING REMOVED	14MAR2023	VP	VP
C1		DRAWING UPDATES FOR LASER MARKING REMOVAL	28JUN2023	VP	VP

NOTES
Bemerkungen

- 1 ~~TE ORDER NO.
TE Bestell-Nr.~~
- 2 PRODUCTION DATE
Produktionsdatum
- 3 ~~LETTER-INSERT FOR THE REVISION STATUS OF THE MOULD
Schriftsatz fuer Aenderungszustand des Werkzeuges~~
- 4 MATERIAL MARKING ACCORDING TO VDA 260
Werkstoffkennzeichnung nach VDA 260
- 5 TRAY PACKAGING
Tray verpackung
- 6 MOULD CAVITY MARKING
Nestmarkierung
- 7 TE LOGO
TE Logo
- 8 SUITABLE COUNTERPART SEE DRAWING: 2367337
passendes Gegenstueck siehe Zeichnung: 2367337
- 9 MATED WITH COVER SEE DRAWING: 2367344
Passend zu Kappe siehe Zeichnung: 2367344
- 10 PRE-LOCK-POSITION
Vorraststellung
- 11 SUITABLE SINGLE WIRE SEAL SEE DRAWING: 2367346
passende Einzeldichtung siehe Zeichnung: 2367346
- 12 SUITABLE CLIP SEE DRAWING: 1011-310-0205
passende Befestigungsclip siehe Zeichnung: 1011-310-0205

ITEM NO	DESCRIPTION	COLOUR	MATERIAL
1	Tab HSG, CODE "A" Stiftgehäuse, Kod. "A"	BLACK schwarz	PBT-GF20 / V-0
1	Tab HSG, CODE "B" Stiftgehäuse, Kod. "B"	GREY grau	PBT-GF20 / V-0
1	Tab HSG, CODE "C" Stiftgehäuse, Kod. "C"	GREEN gruen	PBT-GF20 / V-0
1	Tab HSG, CODE "D" Stiftgehäuse, Kod. "D"	BLUE blau	PBT-GF20 / V-0
2	TPA	BLACK schwarz	PBT-GF20 / V-0

REV.	CODE	QUANTITY	ITEM
C1	D	1	4
C1	C	1	3
C1	B	1	2
C1	A	1	1

THIS DRAWING IS A CONTROLLED DOCUMENT.		DWN K. Schang 26MAR2020
DIMENSIONS: mm		CHK S. Helm 27MAR2020
TOLERANCES UNLESS OTHERWISE SPECIFIED:		APVD J. Barth 27MAR2020
0 PLC	±	PRODUCT SPEC
1 PLC	±	108-94825
2 PLC	±	APPLICATION SPEC
3 PLC	±	114-94706
4 PLC	±	WEIGHT
ANGLES	±	10 g
FINISH	-	CUSTOMER DRAWING
	-	SCALE 2:1

		TE Connectivity	
		NAME TAB DT Highspeed Assembly Tab DT Highspeed Baugruppe	
SIZE	CAGE CODE	DRAWING NO	RESTRICTED TO
A2	00779	C-2367341	-
SHEET 1 OF 1		REV C1	