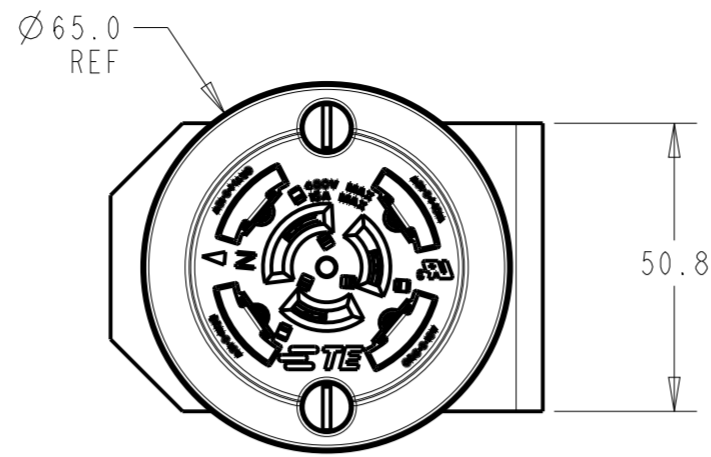


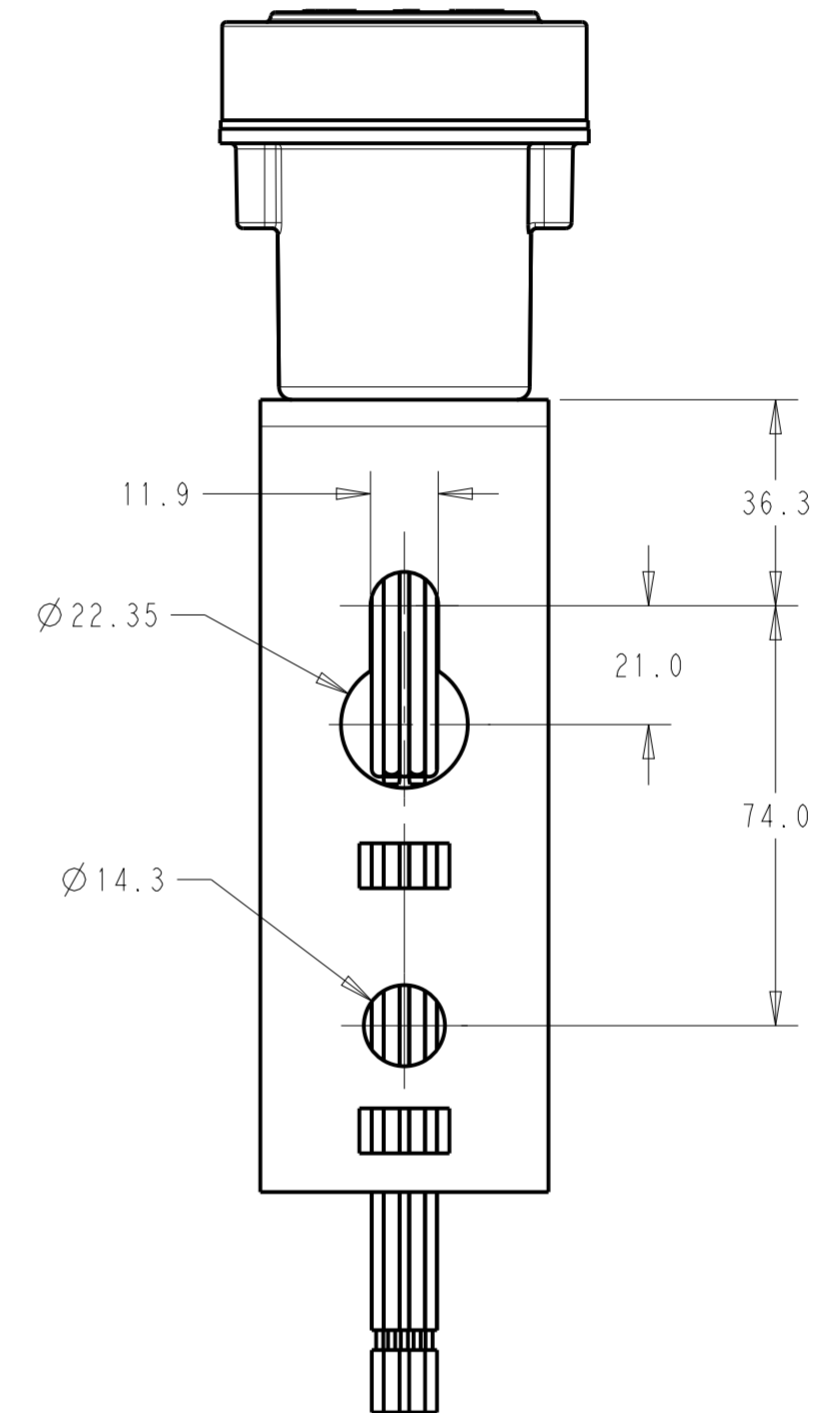
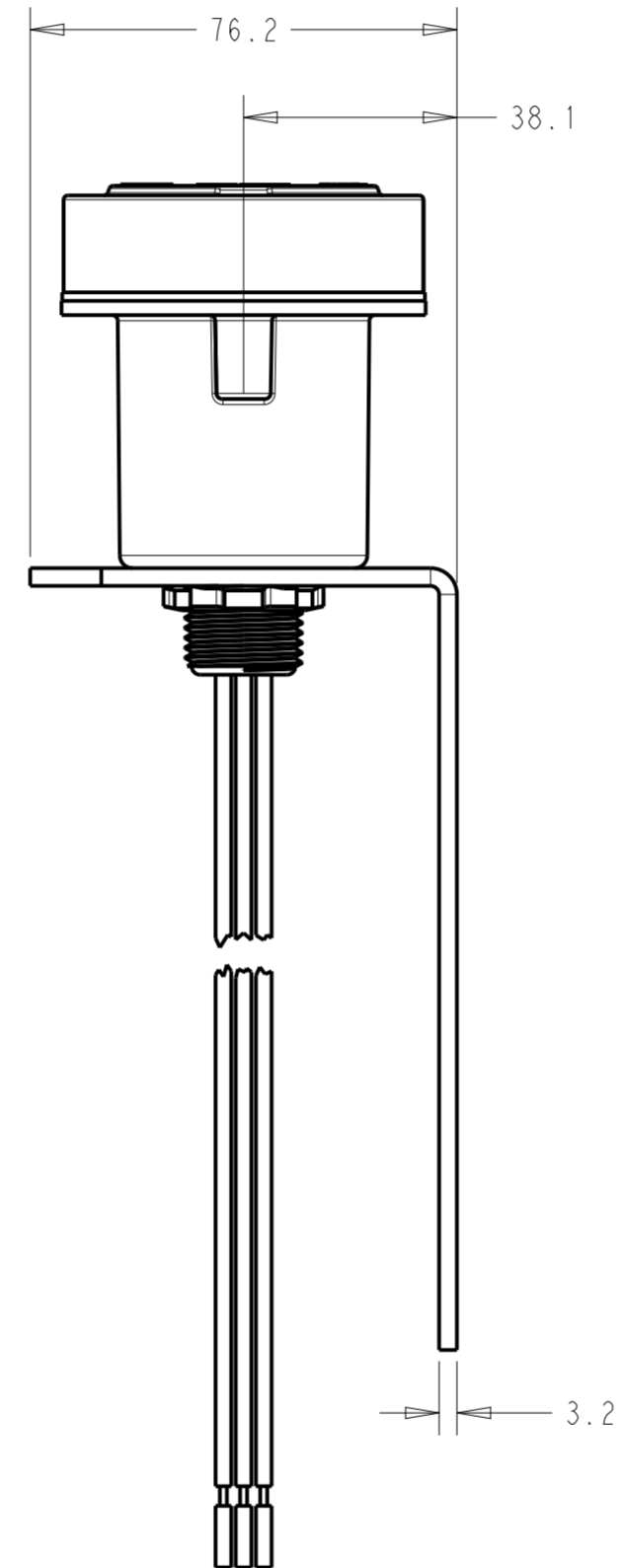
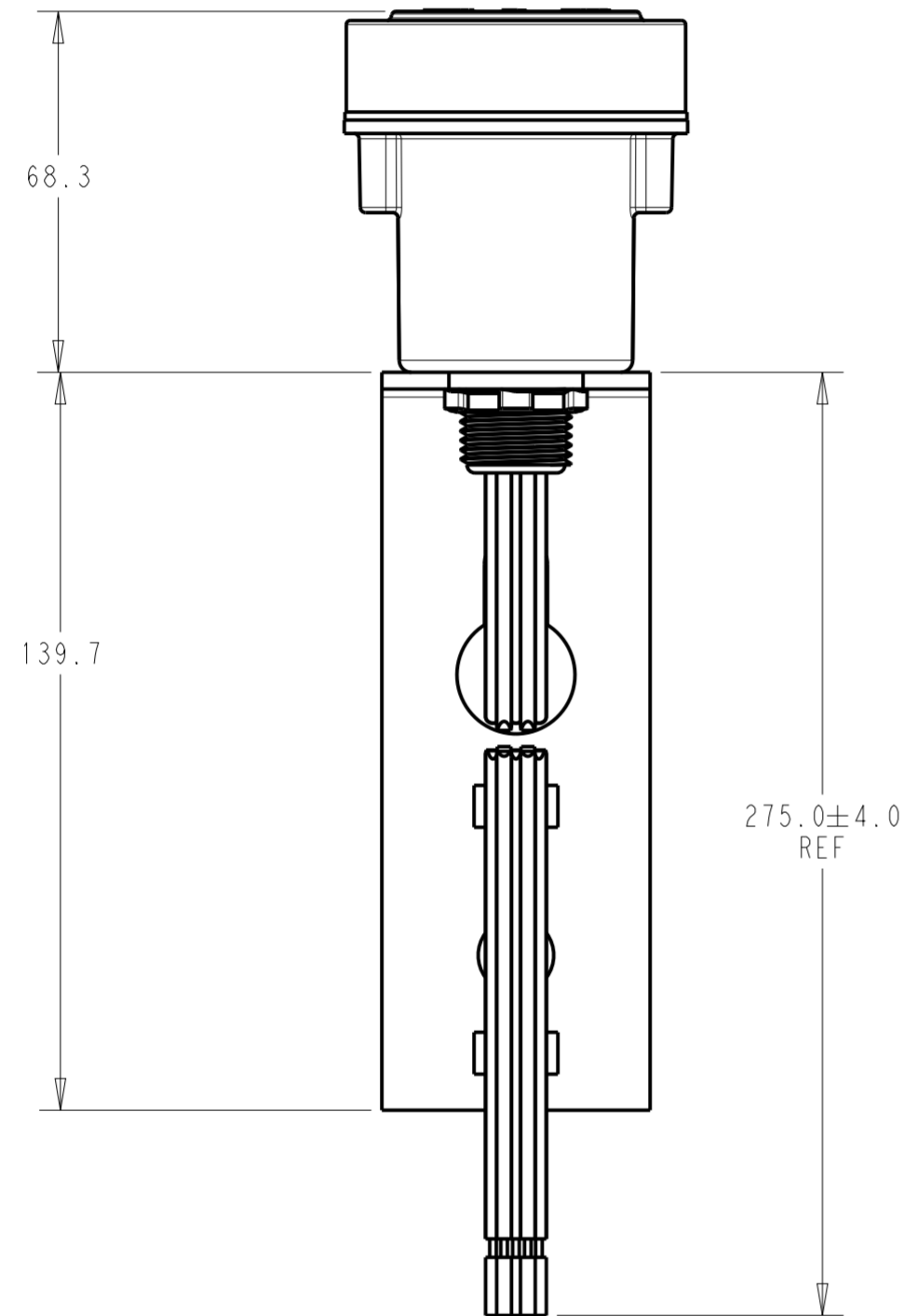
P	LTR	DESCRIPTION	DATE	DWN	APVD
A		ECR-21-104569	08JUN2021	CD	CD



2363929-3 SHOWN

- 1 MATERIALS AND FINISH:  
 -DIMMING RECEPTACLE: SEE TE P/N  
 -GASKET: RUBBER  
 -BRACKET: ALUMINUM  
 -HOUSING: ALUMINUM  
 -LOCKNUT: ZINC ALLOY

2. MUST COMPLY WITH DIRECTIVE 2002/95/EC (ROHS)



1-2213627-8	ROTATABLE DIMMING RECEPTACLE, 7 POSITION	1-2363929-3
1-2213627-7	ROTATABLE DIMMING RECEPTACLE, 5 POSITION	1-2363929-2
1-2213627-9	ROTATABLE DIMMING RECEPTACLE, 3 POSITION	1-2363929-1
2213362-4	DIMMING RECEPTACLE, 7 POSITION	2363929-3
2213362-3	DIMMING RECEPTACLE, 5 POSITION	2363929-2
6-2213362-1	DIMMING RECEPTACLE, 3 POSITION	2363929-1
REFERENCE RECEPTACLE P/N	DESCRIPTION	PART NO.

THIS DRAWING IS A CONTROLLED DOCUMENT.		DWN C. DAILY 11OCT2019	TE Connectivity	
		CHK M. STOLLER 11OCT2019		
DIMENSIONS: mm		APVD -		NAME BRACKETED ASSEMBLY, ENDURANCE N RECEPTACLE
TOLERANCES UNLESS OTHERWISE SPECIFIED: 0 PLC ± 1 PLC ±0.2 2 PLC ±0.13 3 PLC ± 4 PLC ± ANGLES ±1° FINISH -		PRODUCT SPEC 108-32059 APPLICATION SPEC 114-32115 WEIGHT -		
MATERIAL		SIZE A2100779		DRAWING NO C-2363929
		RESTRICTED TO -		SCALE 3:4 SHEET 1 OF 1 REV A
		CUSTOMER DRAWING		