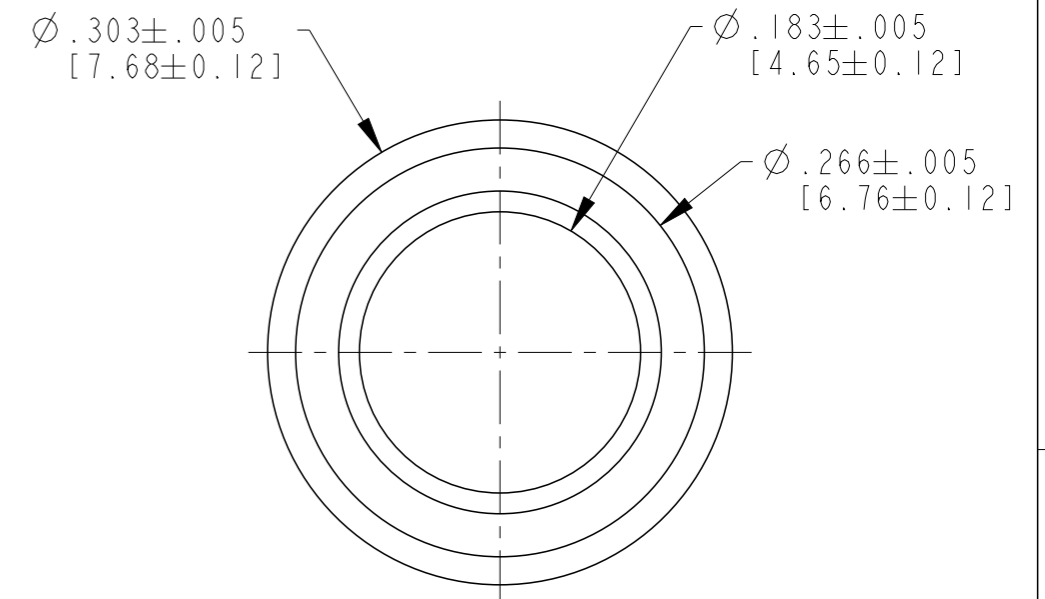
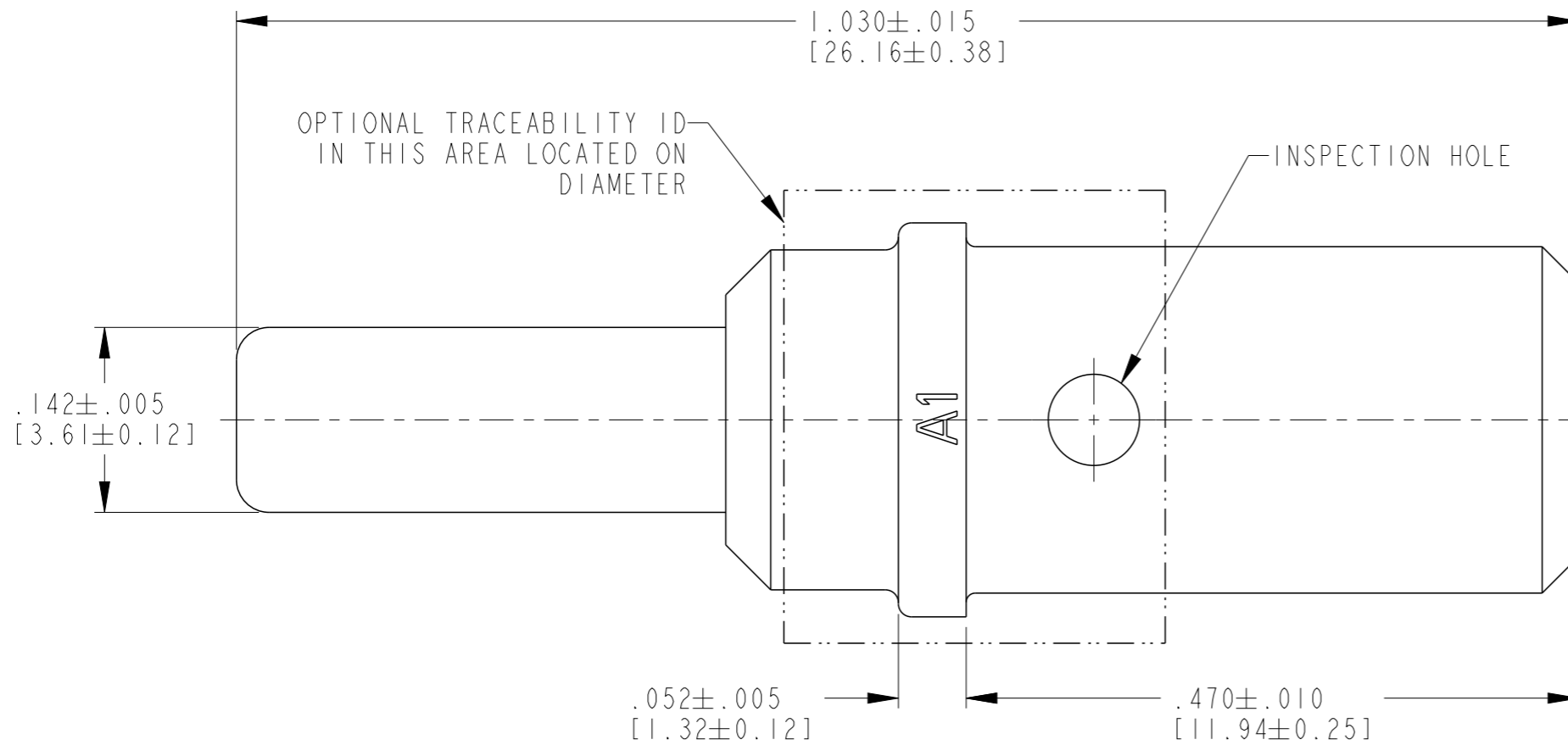


P	LTR	DESCRIPTION	DATE	DWN	APVD
	A	INITIAL RELEASE	22AUG2022	SN	IG



- NOTES:
- 2 VALIDATION PER PRODUCT SPECIFICATION 108-151004. REFERENCE SIZE 8 CONTACTS. DURABILITY = 500 CYCLES.
 - 1 SEE APPLICATION SPECIFICATION 114-151004 FOR CRIMP TOOL AND WIRE RANGE. REFERENCE SIZE 8 CONTACTS.

TE INTERNAL PN	DEUTSCH PN	PLATING
2362989-1	2362989-1	GOLD

THIS DRAWING IS A CONTROLLED DOCUMENT.		DWN N. SARATH 19AUG2022			
DIMENSIONS: INCHES [mm]		CHK C. LIEW 19AUG2022			
TOLERANCES UNLESS OTHERWISE SPECIFIED:		APVD I. GRANTCHAROVA 22AUG2022	NAME CONTACT PIN SIZE 8		
		PRODUCT SPEC 2	RESTRICTED TO -		
0 PLC ± 1 PLC ± 2 PLC ± 3 PLC ± 4 PLC ± ANGLES ±		APPLICATION SPEC 1	SIZE A3	CAGE CODE 4AFU8	DRAWING NO G-2362989
MATERIAL COPPER ALLOY	FINISH SEE TABLE	WEIGHT 4.5g	SCALE 8:1		
		CUSTOMER DRAWING	SHEET 1	OF 1	REV A