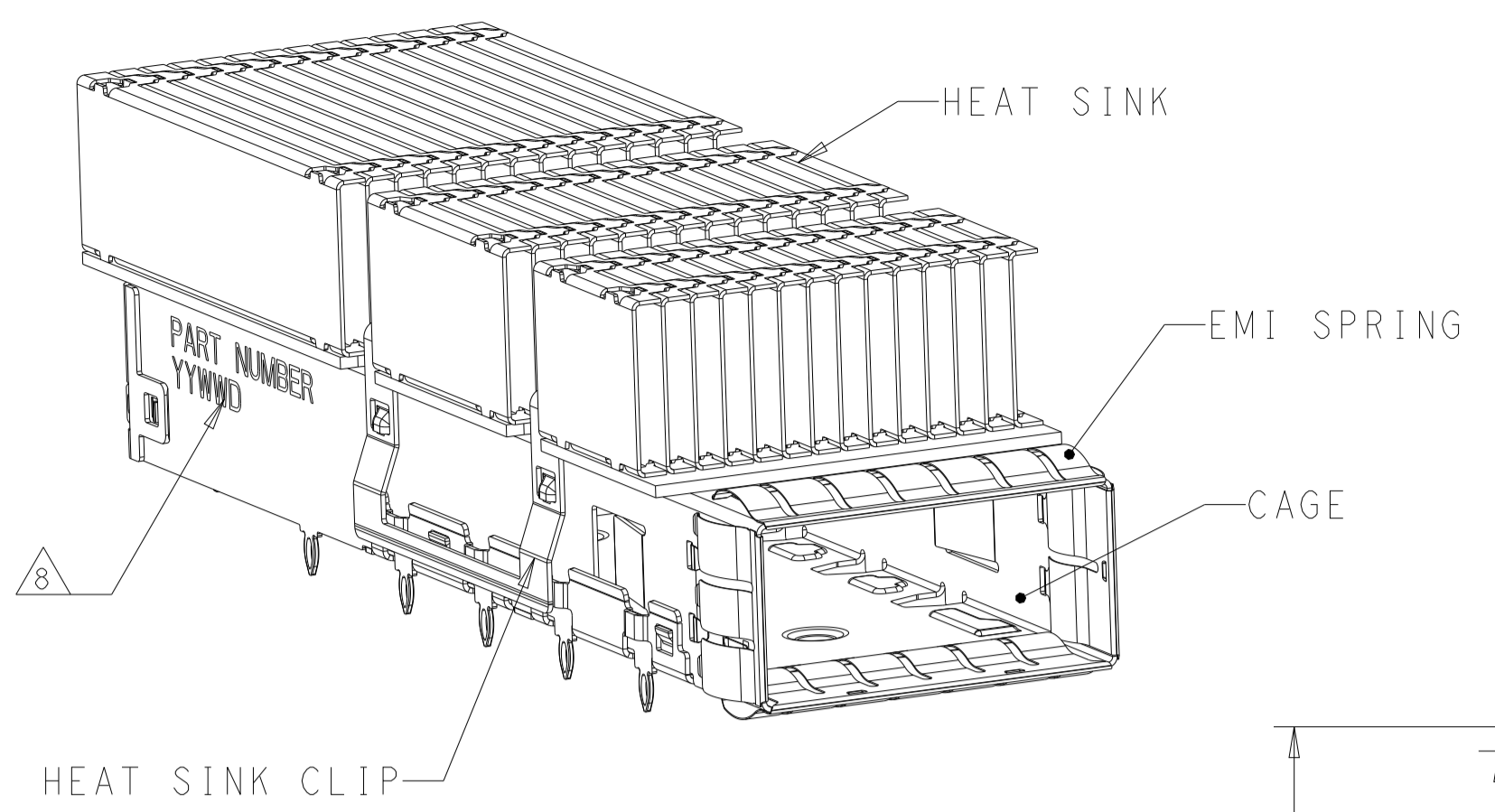
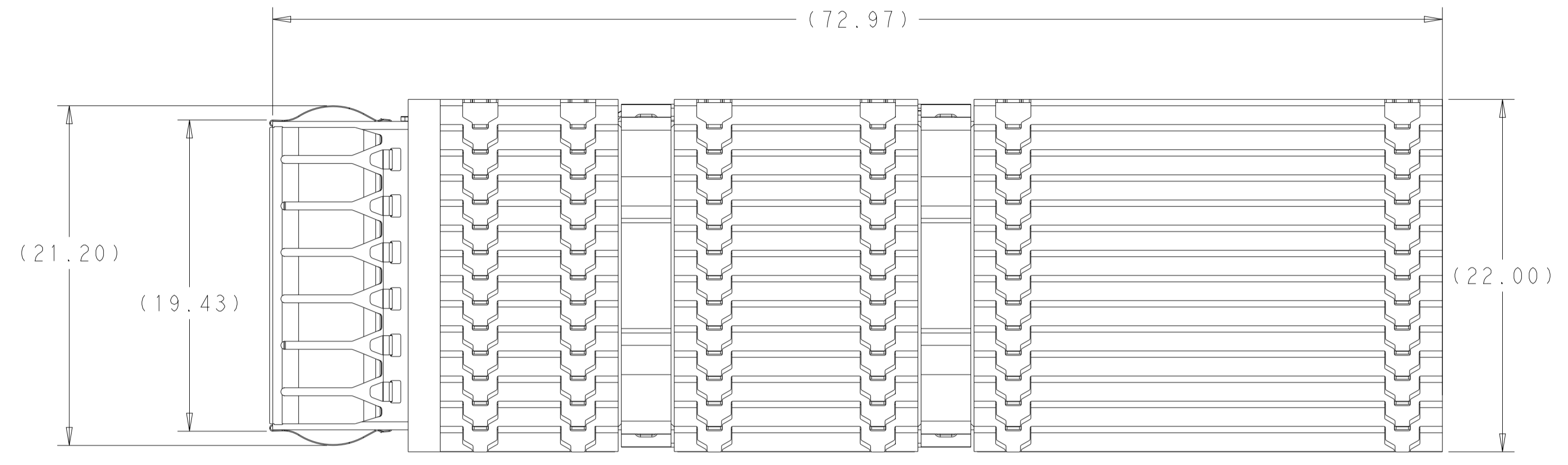


LOC		DIST		REVISIONS			
P	LTN	DESCRIPTION	DATE	DMN	APVD		
A3		ADDED NEW DASH 1-1/1-2	12JUN2020	AJ	SH		
A4		REVISED PER ECO-20-015680	05NOV2020	SH	SZ		
A6		REVISED PER ECN-21-105117	11MAY2021	SH	SZ		
A7		REVISED PER ECN-21-130601	10NOV2021	VL	ZSH		

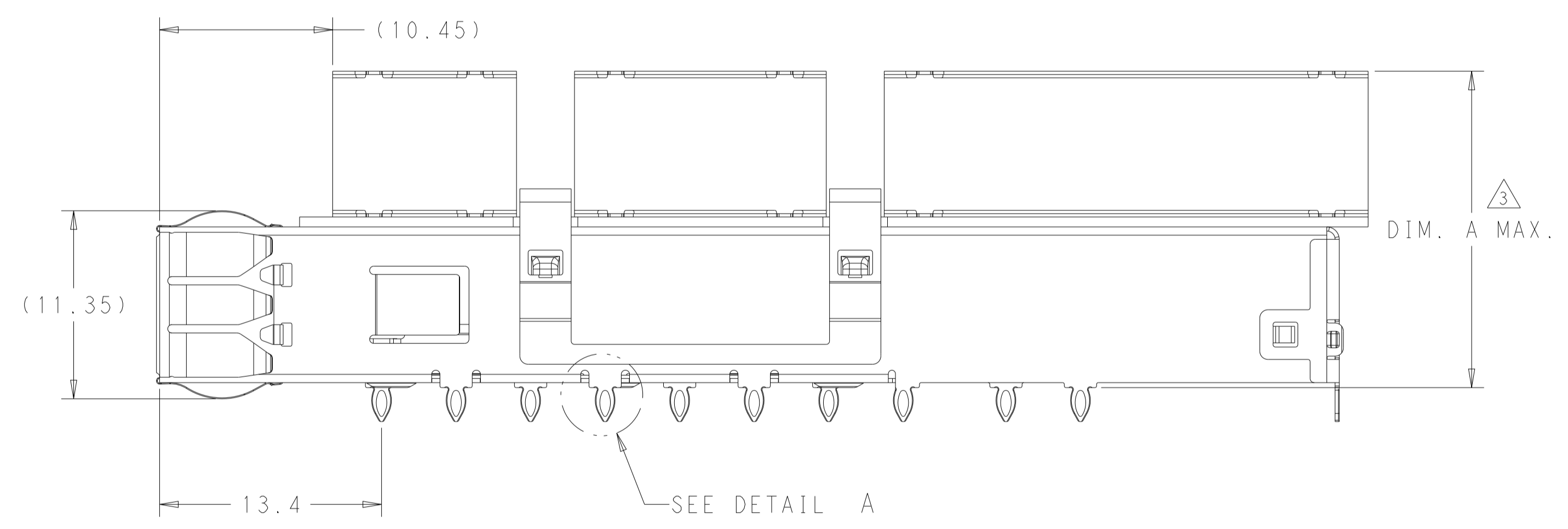
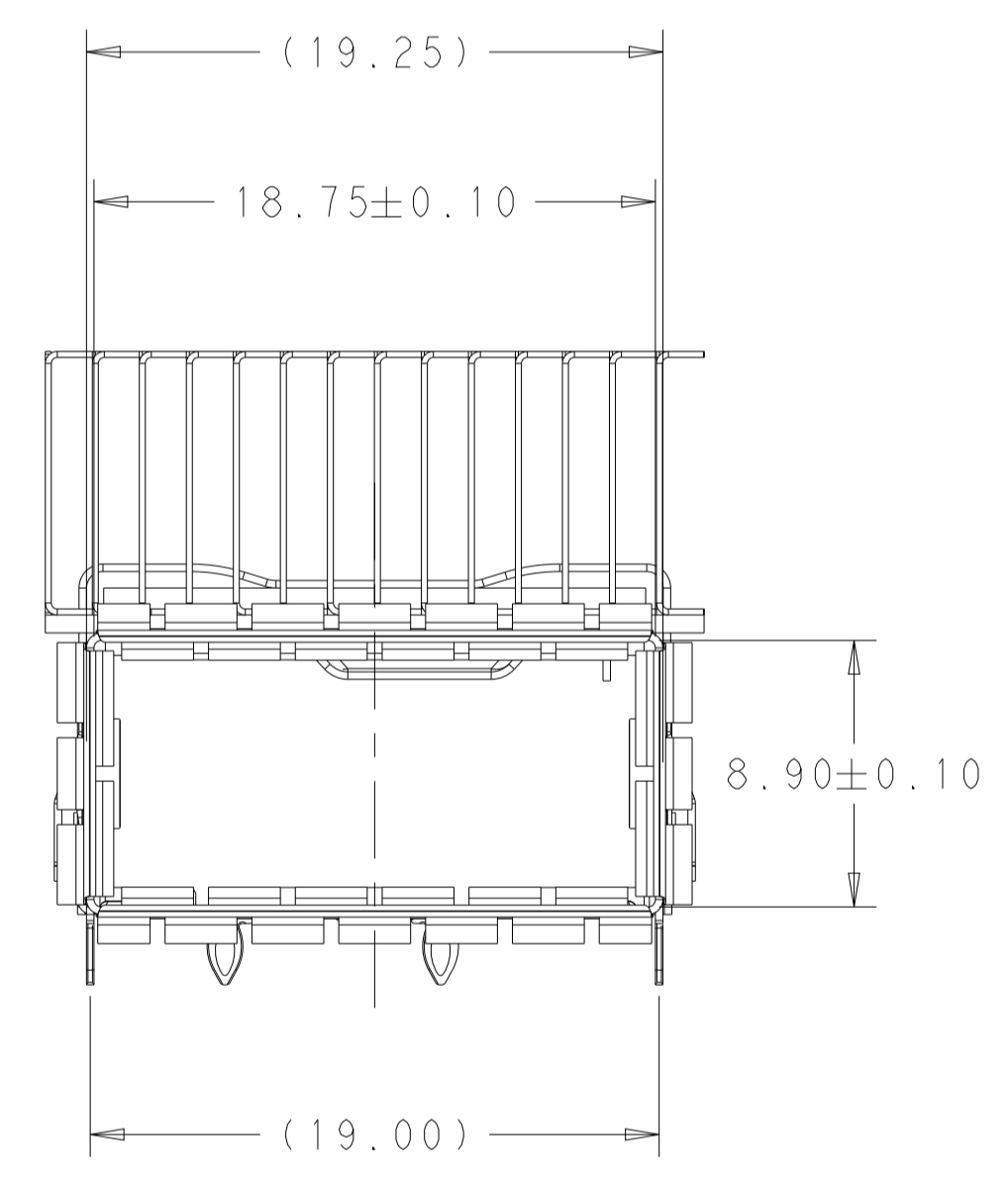


2361706-1 AS SHOWN
SCALE 3:1

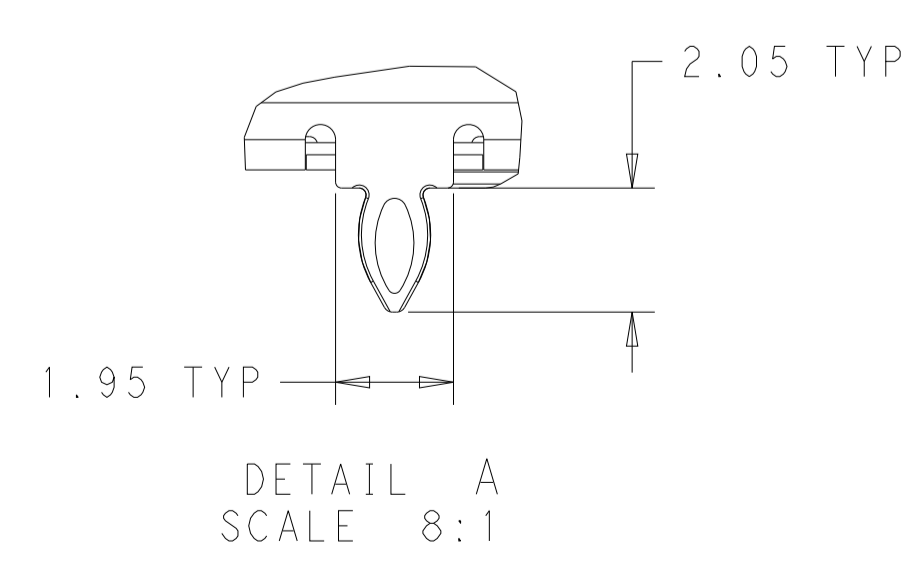
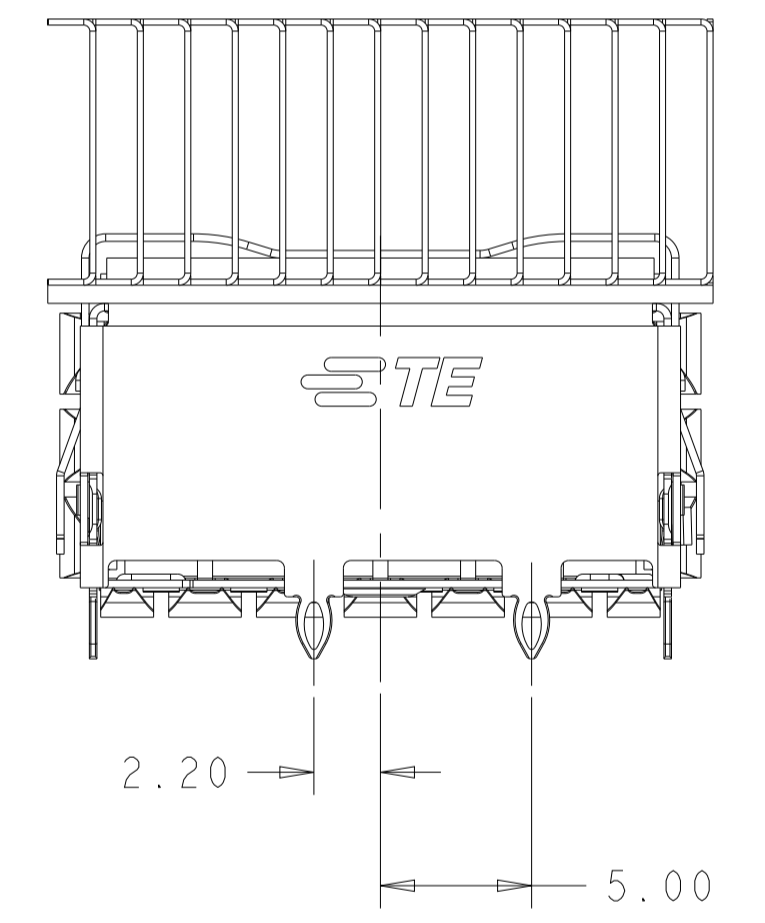


1. MATERIAL:
 CAGE MATERIAL : 0.25 THICK STAINLESS STEEL.
 SPRING MATERIAL: COPPER ALLOY
 CLIP MATERIAL: STAINLESS STEEL
 HEAT SINK: ALUMINUM
 ABSORBER: RF ABSORBER
 HEAT PIPE: COPPER
 BASE: COPPER

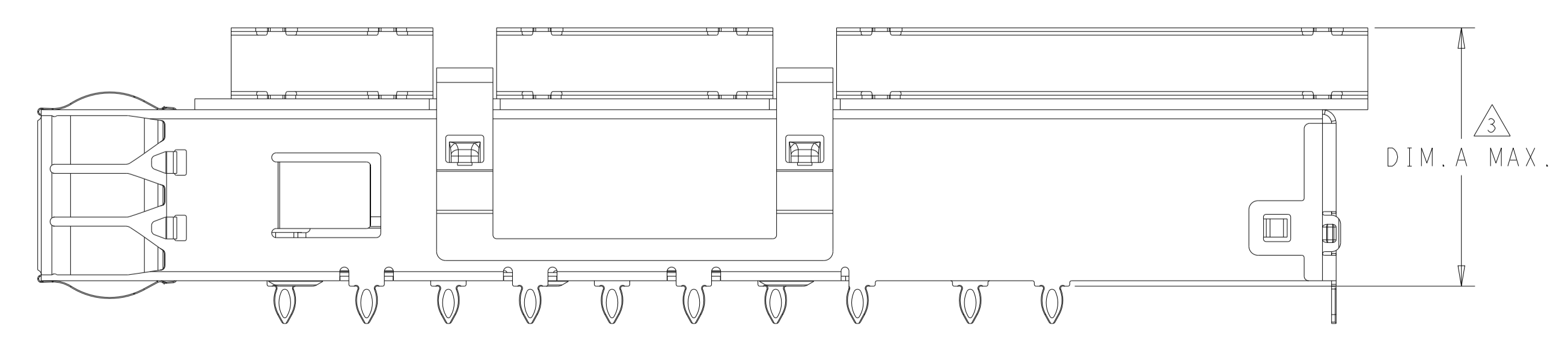
2. FINISH:
 SPRING: NICKEL PLATING
 HEAT SINK: NICKEL PLATING
3. DIMENSION APPLIES WITH MODULE INSTALLED IN THE CAGE TO TOP OF HEAT SINK.
4. REFERENCE APPLICATION SPEC 114-60025 FOR RECOMMENDED DRILL HOLE DIAMETER AND PLATING THICKNESS.
5. DATUM AND BASIC DIMENSIONS ESTABLISHED BY CUSTOMERS.
6. MINIMUM PC BOARD THICKNESS : SINGLES SIDED: 1.57 MIN
 DOUBLE SIDED: 3.00 MIN
7. DATUM **-A-** IS TOP SURFACE OF THE HOST BOARD.
8. DATE CODE (YYWD) MARKED APPROXIMATELY AS SHOWN
9. MATES WITH QSFP DD MSA COMPATIBLE TRANSCEIVER.



2361706-1 AS SHOWN
SCALE 4:1



DETAIL A
SCALE 8:1



2361706-2 AS SHOWN
SAME AS -1 EXCEPT LOWER HS HEIGHT
SCALE 4:1

DIM. A	# REAR PINS	PART NUMBER
24.2	0	1-2361706-4
26.0	2	2-2361706-1
19.1	0	1-2361706-3
15.0	0	1-2361706-2
19.9	0	1-2361706-1
19.1	2	2361706-5
14.1	2	2361706-3
15.0	2	2361706-2
19.9	2	2361706-1

THIS DRAWING IS A CONTROLLED DOCUMENT. DWN: ARTHUR JIN 22AUG2019
 CHK: SEAN HAN 22AUG2019

DIMENSIONS: mm
 TOLERANCES UNLESS OTHERWISE SPECIFIED:
 0 PLC ±
 1 PLC ±0.25
 2 PLC ±0.20
 3 PLC ±0.10
 4 PLC ±
 ANGLES ° ±
 FINISH

MATERIAL: -

PRODUCT SPEC: 108-60122
 APPLICATION SPEC: 114-60025

WEIGHT: -

CUSTOMER DRAWING

NAME: CAGE ASSEMBLY, QSFP-DD 1X1 WITH WIDE HEAT SINK

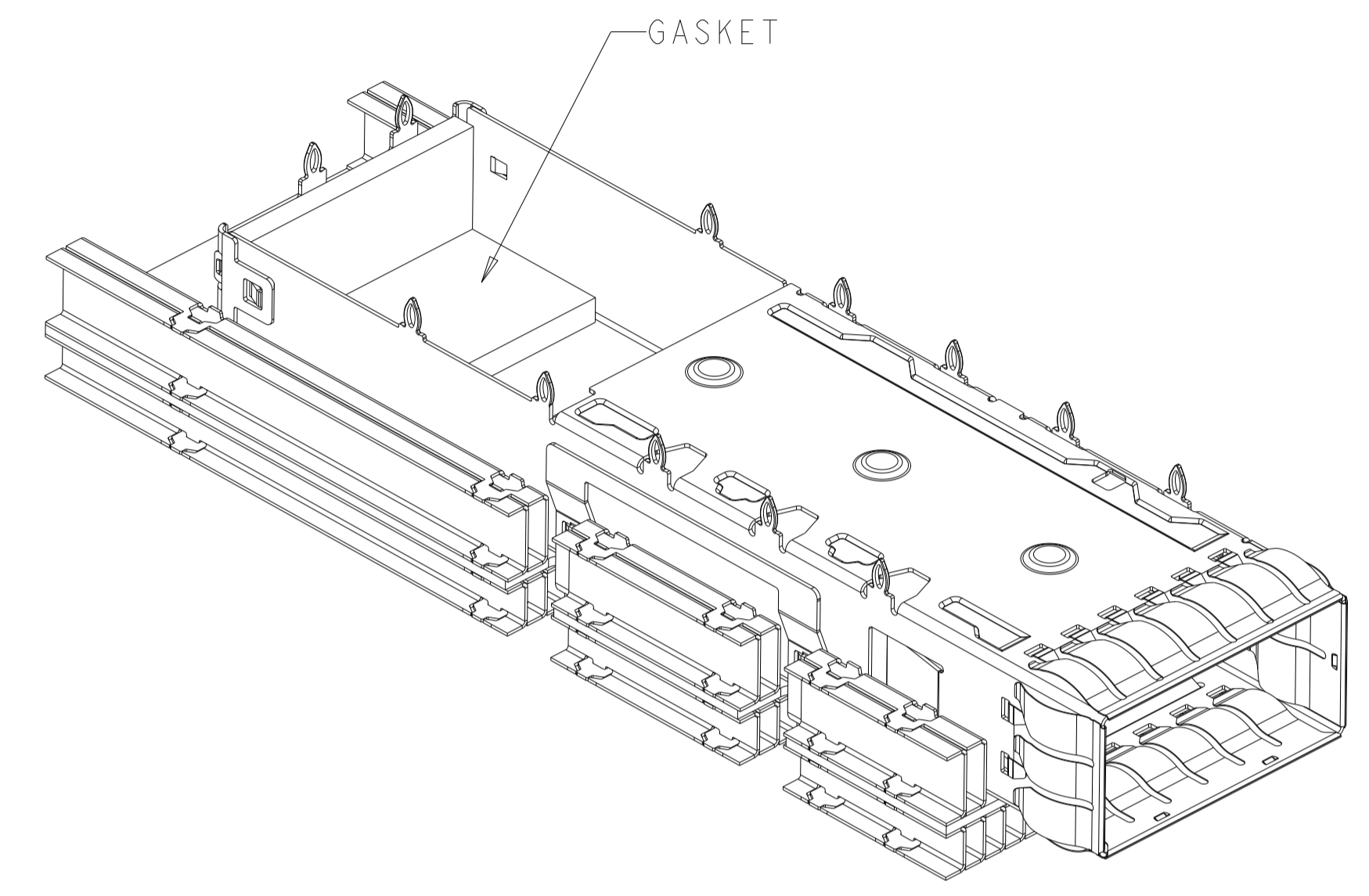
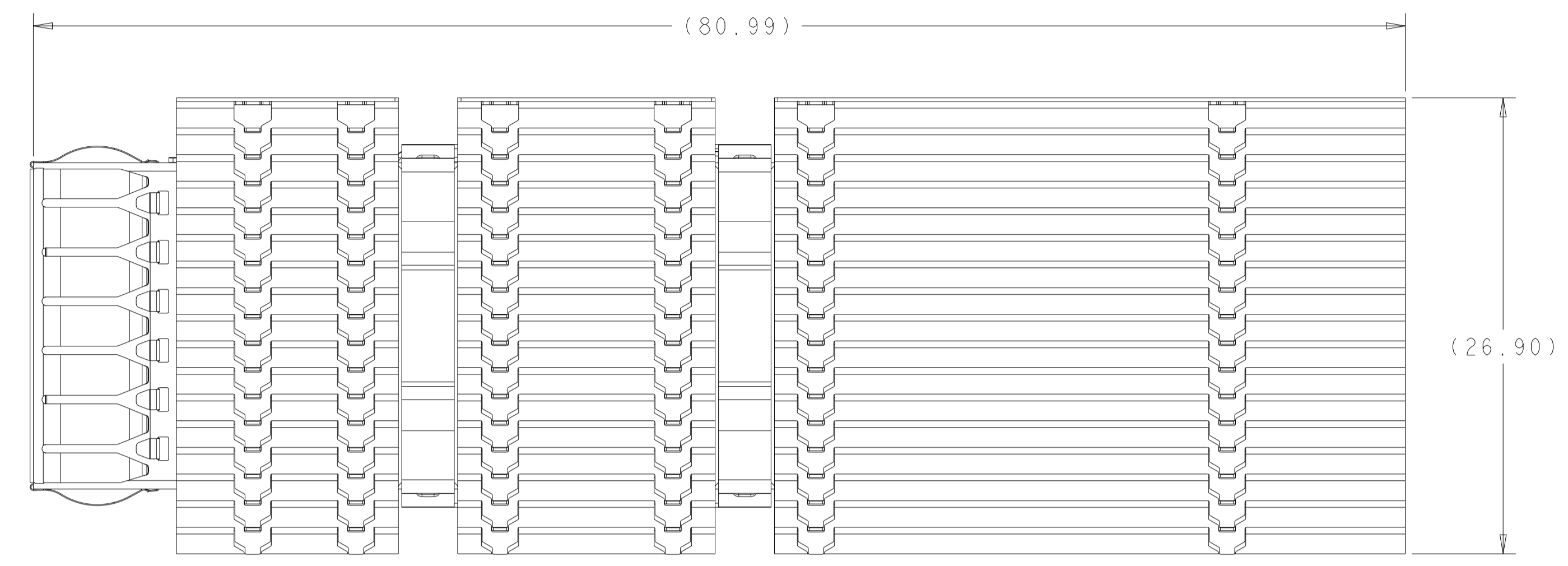
SIZE: A1
 CAGE CODE: -
 DRAWING NO: C=2361706

RESTRICTED TO: -

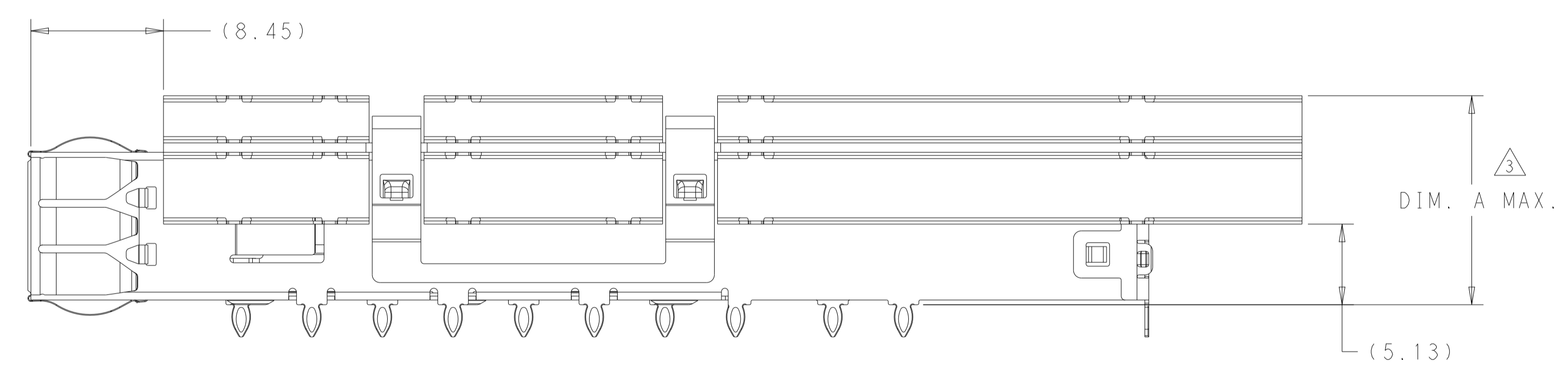
SCALE: 2:1
 SHEET: 1 OF 9
 REV: A7

LOC		DIST		REVISIONS			
P	LTN	DESCRIPTION	DATE	OWN	APVD		
-	-	SEE SHEET 1	-	-	-		

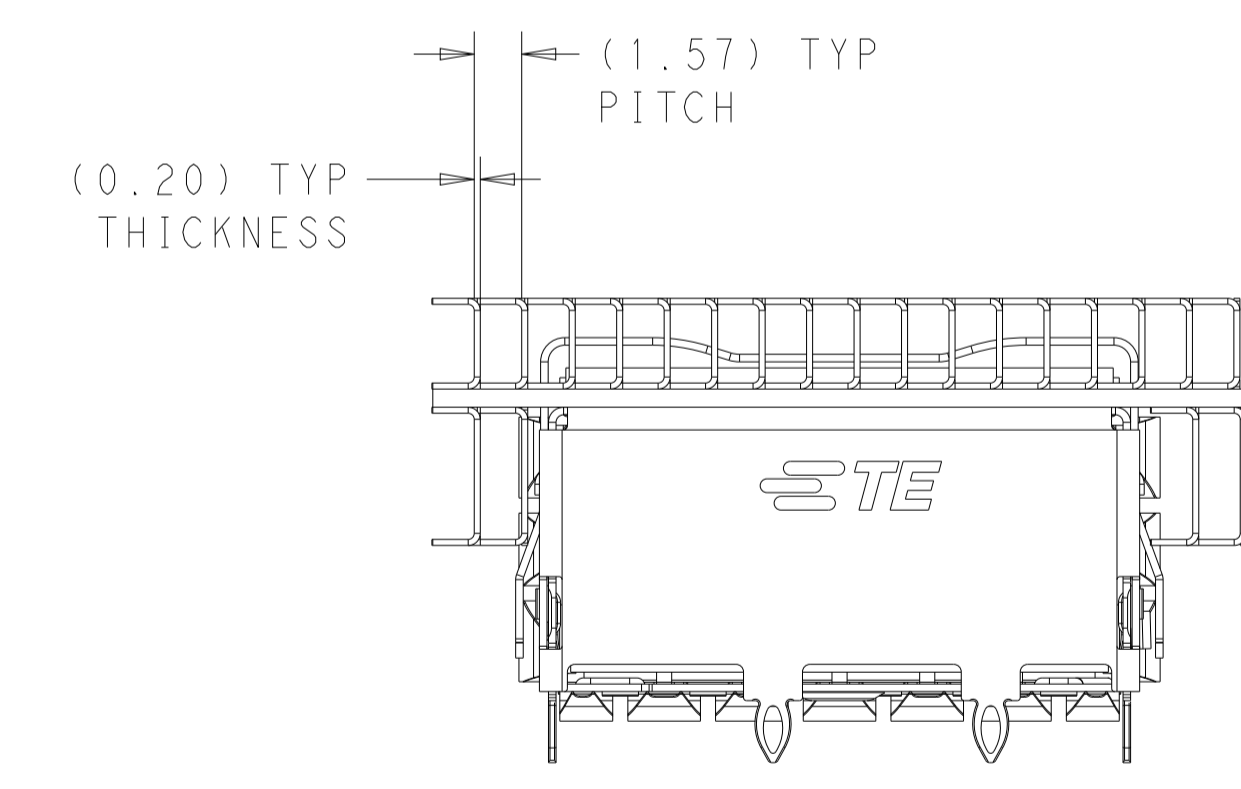
2361706-3 SHOWN IN THIS SHEET
 UNSPECIFIED DIMENSIONS SAME AS -1



2361706-3 AS SHOWN
 SCALE 3:1

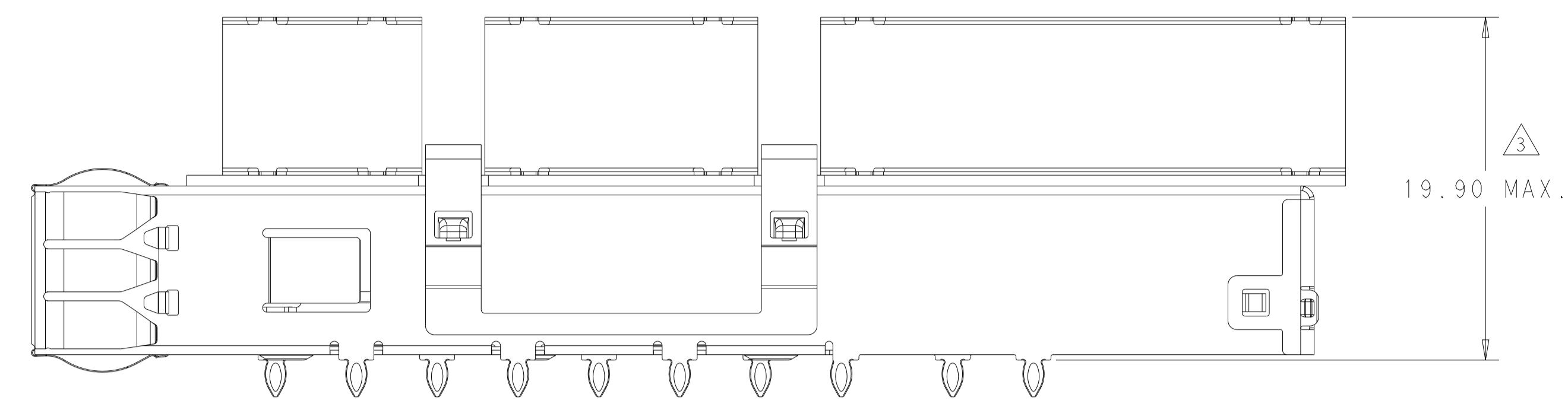


2361706-3 AS SHOWN
 SCALE 4:1

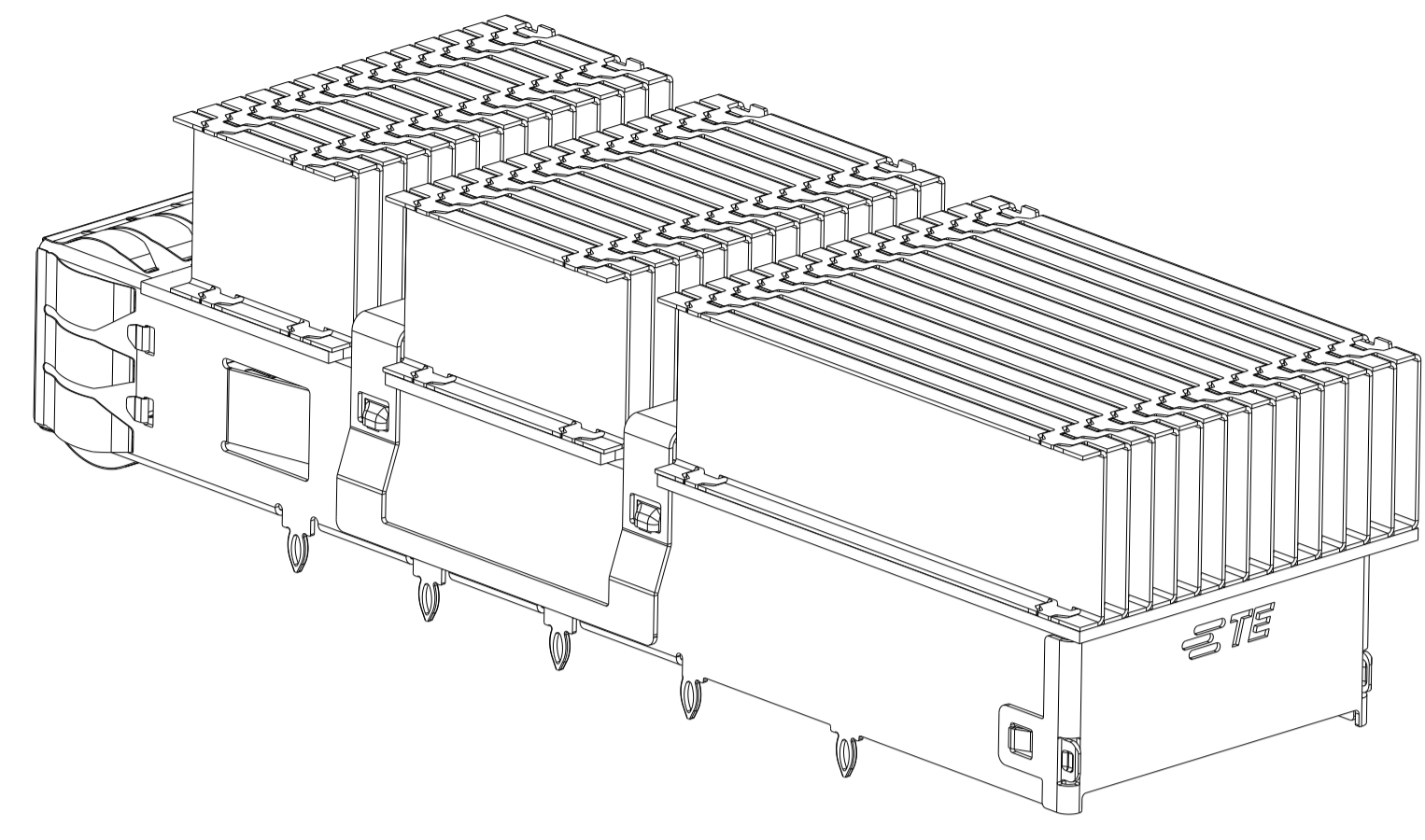


THIS DRAWING IS A CONTROLLED DOCUMENT.		OWN ARTHUR JIN 22AUG2019	TE Connectivity	
DIMENSIONS:		CHK SEAN HAN 22AUG2019	NAME CAGE ASSEMBLY, QSFP-DD 1X1 WITH WIDE HEAT SINK	
TOLERANCES UNLESS OTHERWISE SPECIFIED:		APVD	PRODUCT SPEC 108-60122	
mm			APPLICATION SPEC 114-60025	
0 PLC ±			SIZE A1	
1 PLC ±0.25			CAGE CODE -	
2 PLC ±0.20			DRAWING NO C=2361706	
3 PLC ±0.10			RESTRICTED TO -	
4 PLC ±			SCALE 2:1	
ANGLES ±			SHEET 2 OF 9	
FINISH			REV A7	
MATERIAL		WEIGHT	CUSTOMER DRAWING	

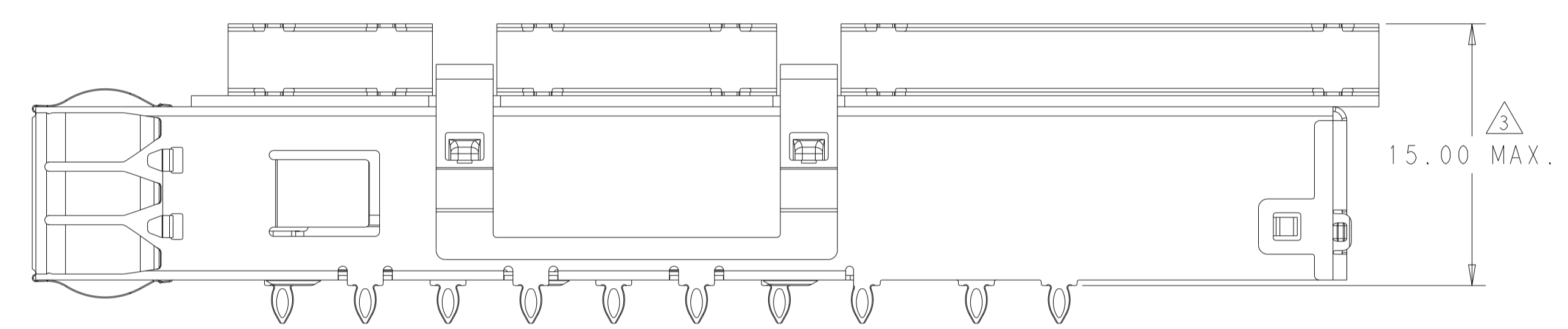
LOC		DIST		REVISIONS			
P	LTN	DATE	DMN	APVD			
-	-	SEE SHEET 1	-	-	-	-	-



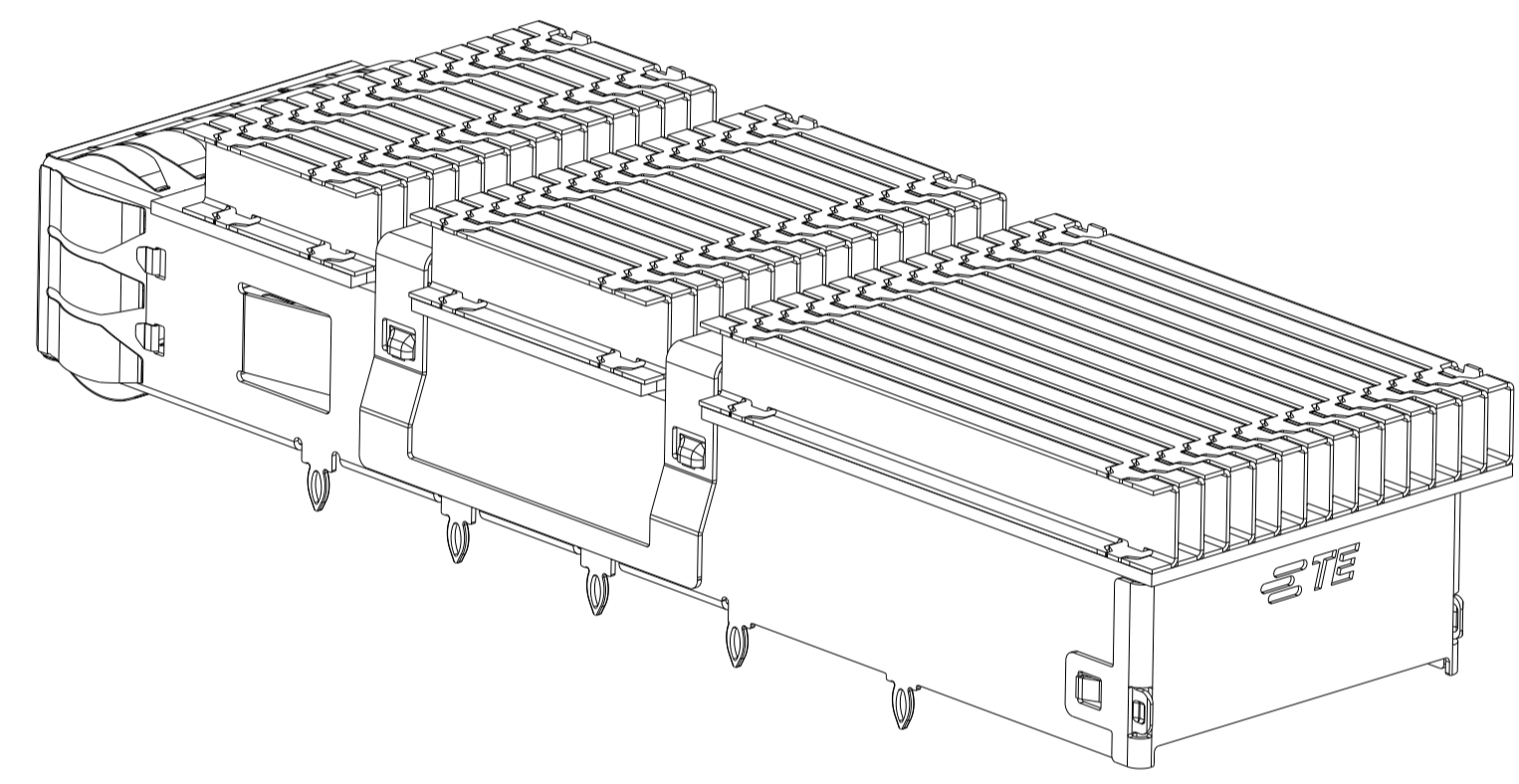
1-2361706-1 AS SHOWN
 SAME AS 2361706-1 EXCEPT WITHOUT REAR PIN
 SCALE 4:1



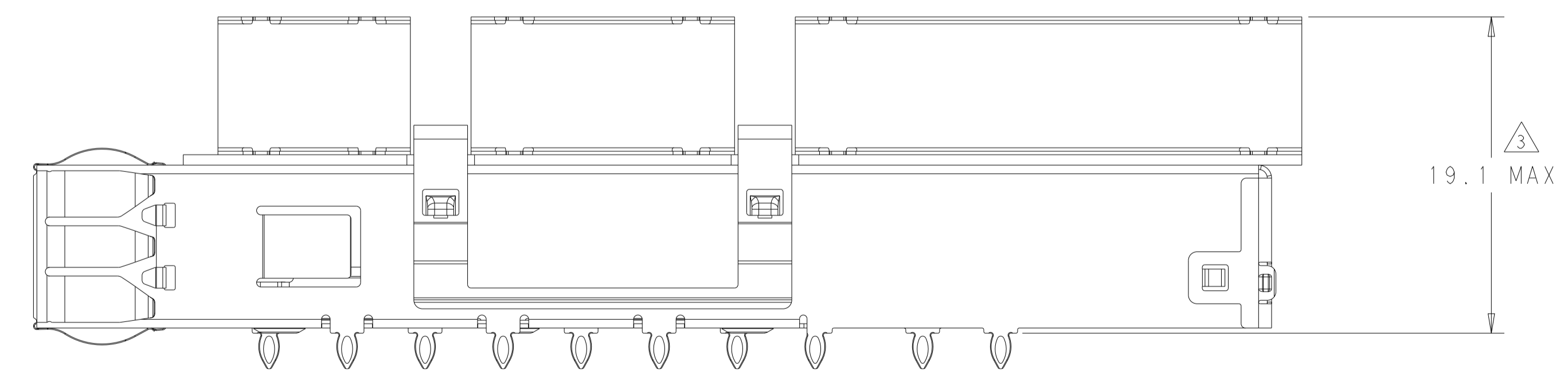
1-2361706-1 AS SHOWN
 SCALE 3:1



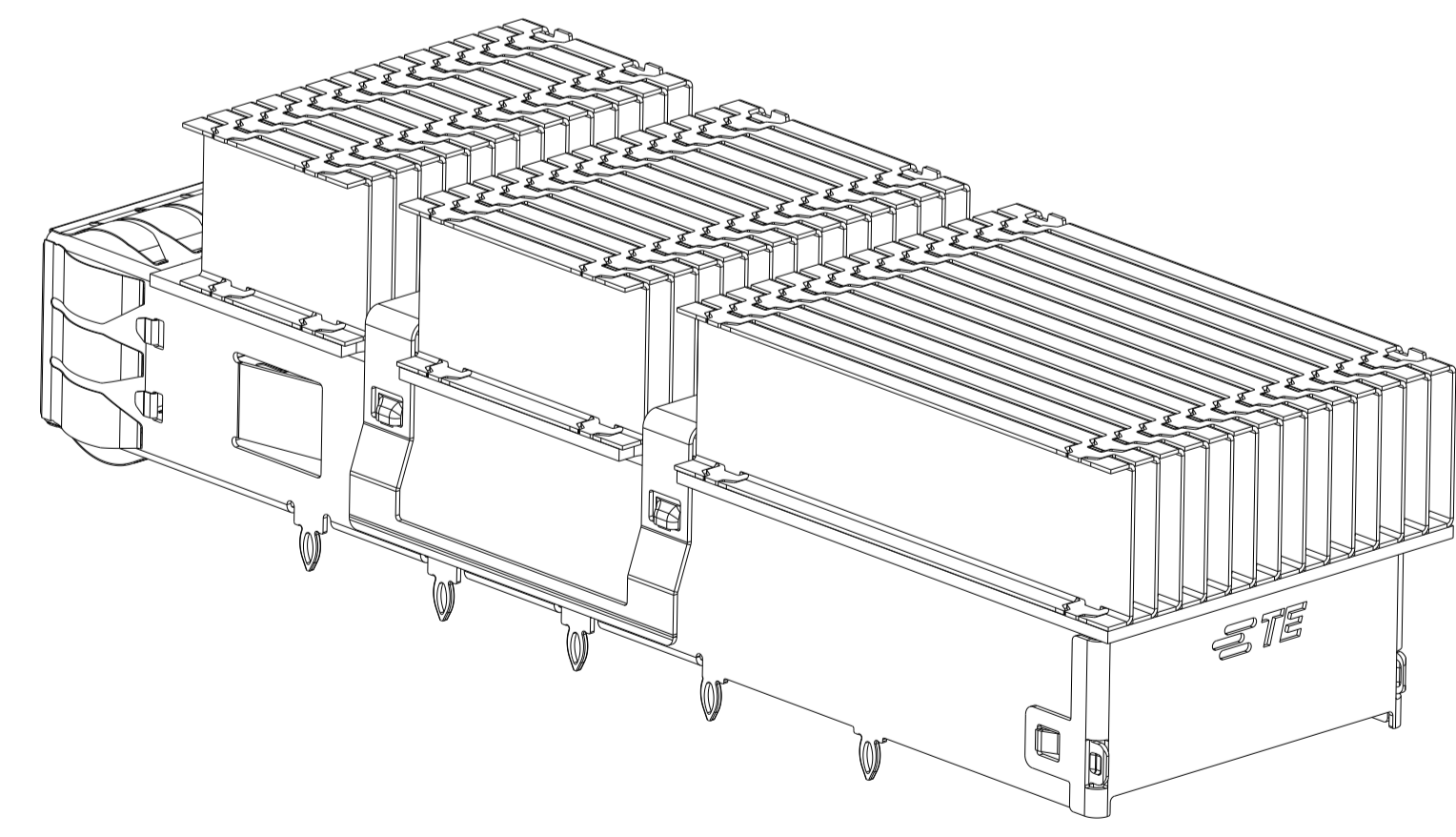
1-2361706-2 AS SHOWN
 SAME AS 2361706-2 EXCEPT WITHOUT REAR PIN
 SCALE 4:1



1-2361706-2 AS SHOWN
 SCALE 3:1



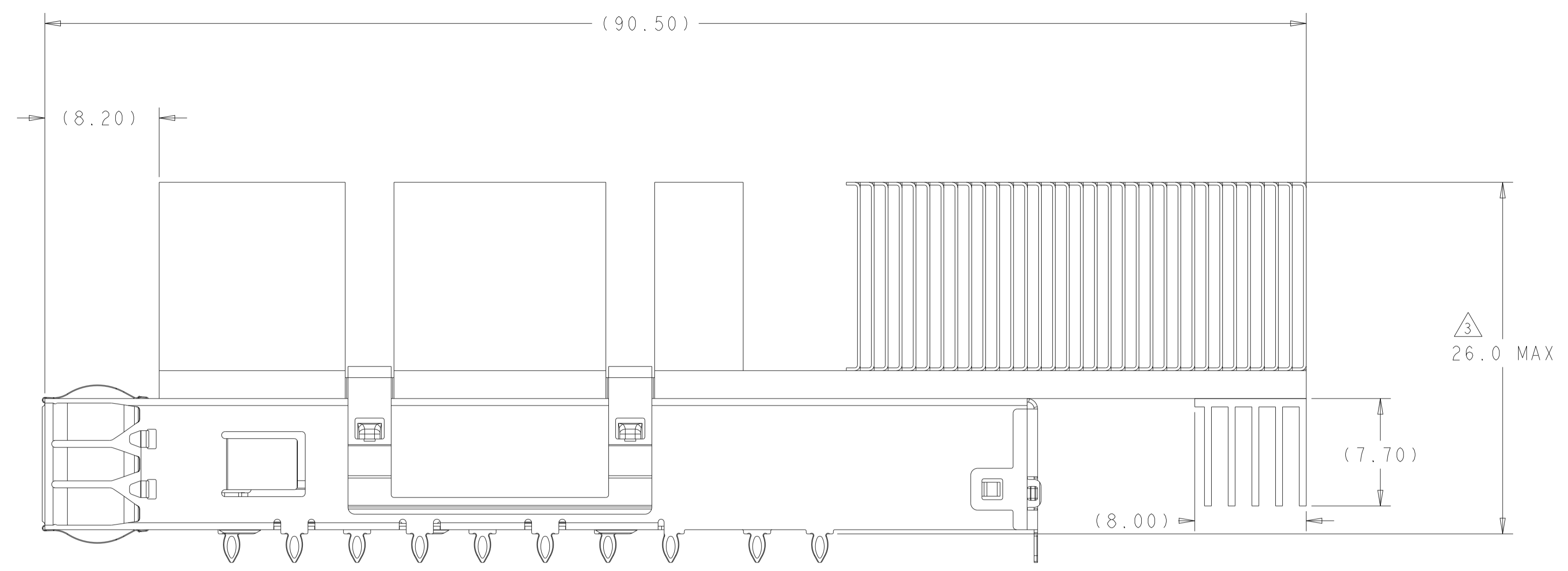
1-2361706-3 AS SHOWN
 SAME AS 1-2361706-1 EXCEPT HS
 SCALE 4:1



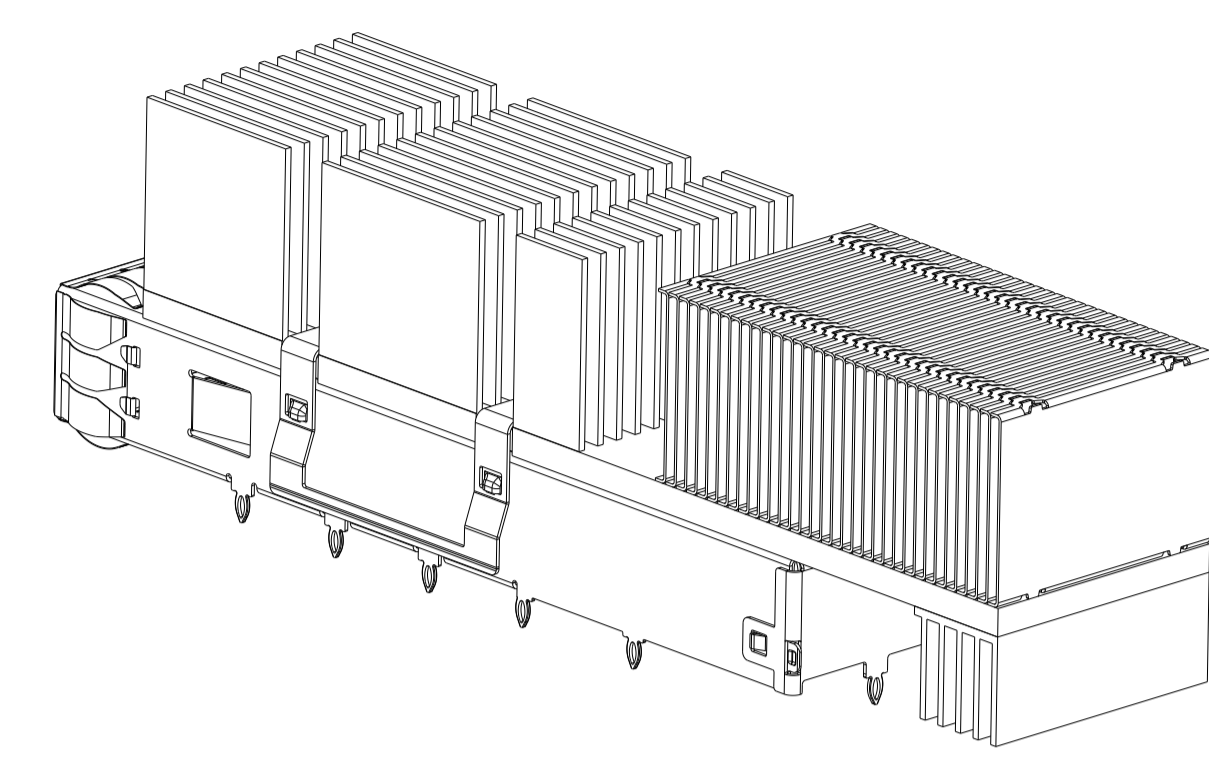
1-2361706-3 AS SHOWN
 SCALE 3:1

THIS DRAWING IS A CONTROLLED DOCUMENT.		DMN: ARTHUR JIN 22AUG2019	TE Connectivity	
		CHK: SEAN HAN 22AUG2019		
DIMENSIONS:		TOLERANCES UNLESS OTHERWISE SPECIFIED:		NAME: CAGE ASSEMBLY, QSFP-DD 1X1 WITH WIDE HEAT SINK
mm	0 PLC ±	1 PLC ±0.25	2 PLC ±0.20	PRODUCT SPEC: 108-60122
	3 PLC ±0.10	4 PLC ±	ANGLES ±	APPLICATION SPEC: 114-60025
	FINISH			SIZE: A1
MATERIAL:		WEIGHT:		CAGE CODE: -
				DRAWING NO: C=2361706
				RESTRICTED TO:
		CUSTOMER DRAWING	SCALE: 2:1	SHEET 3 OF 9
				REV: A7

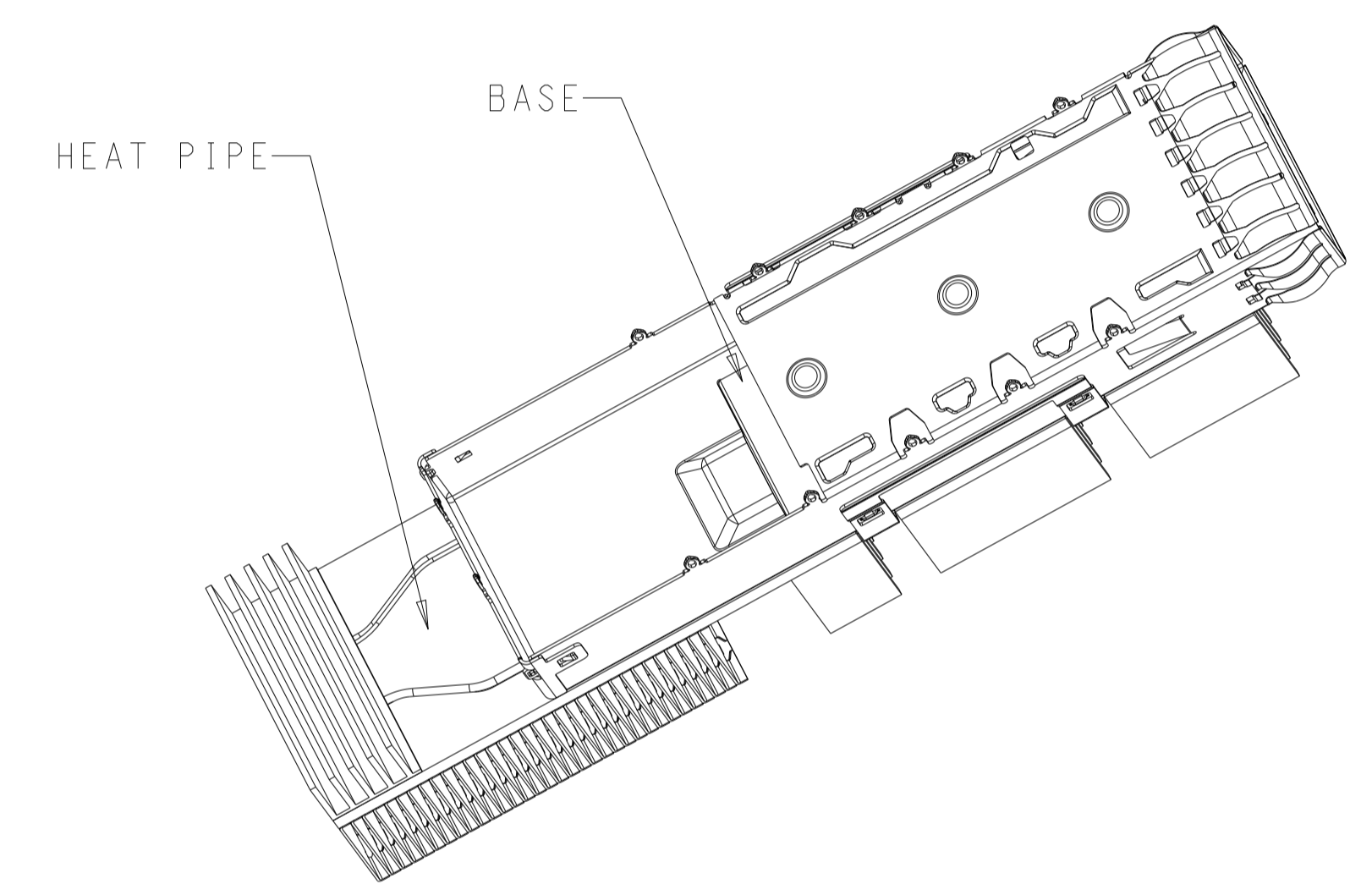
LOC		DIST		REVISIONS			
P	LTN	DESCRIPTION	DATE	OWN	APVD		
-	-	SEE SHEET 1	-	-	-		



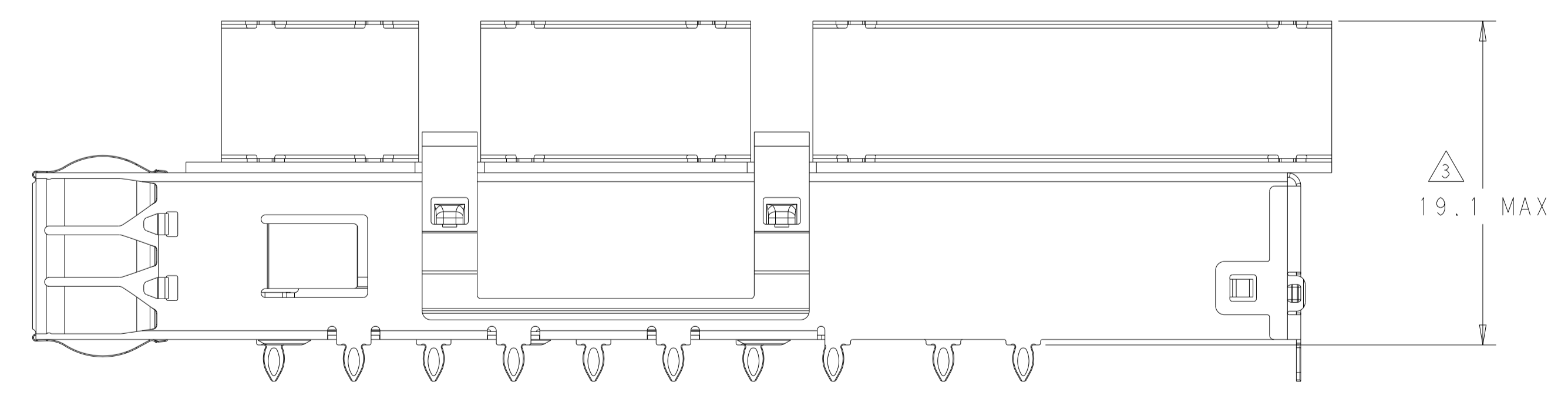
2-2361706-1 SAME AS -1 EXCEPT HS
SCALE 4:1



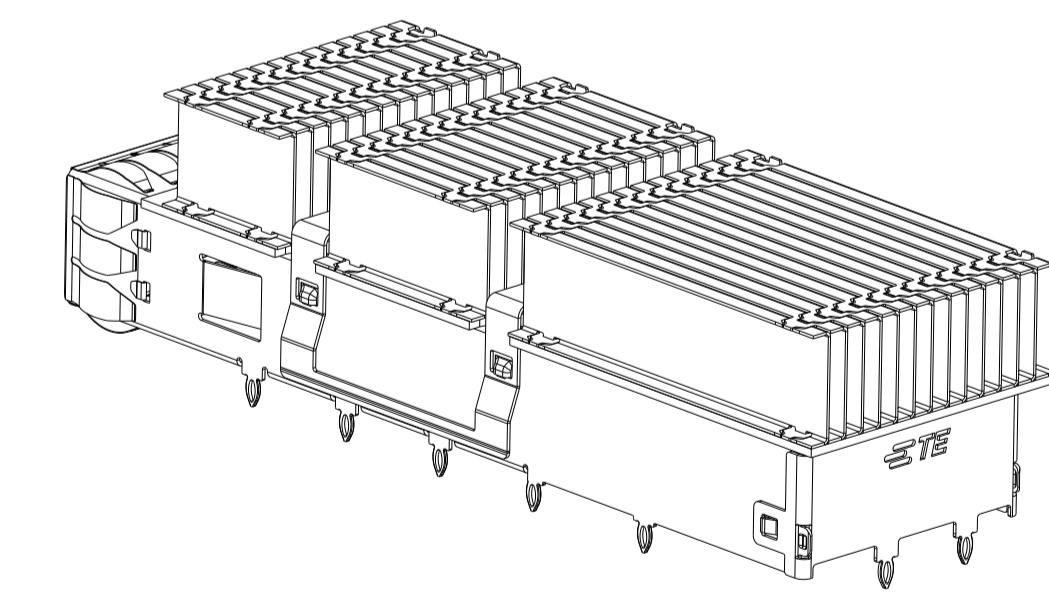
2-2361706-1 AS SHOWN
SCALE 2:1



SCALE 2:1



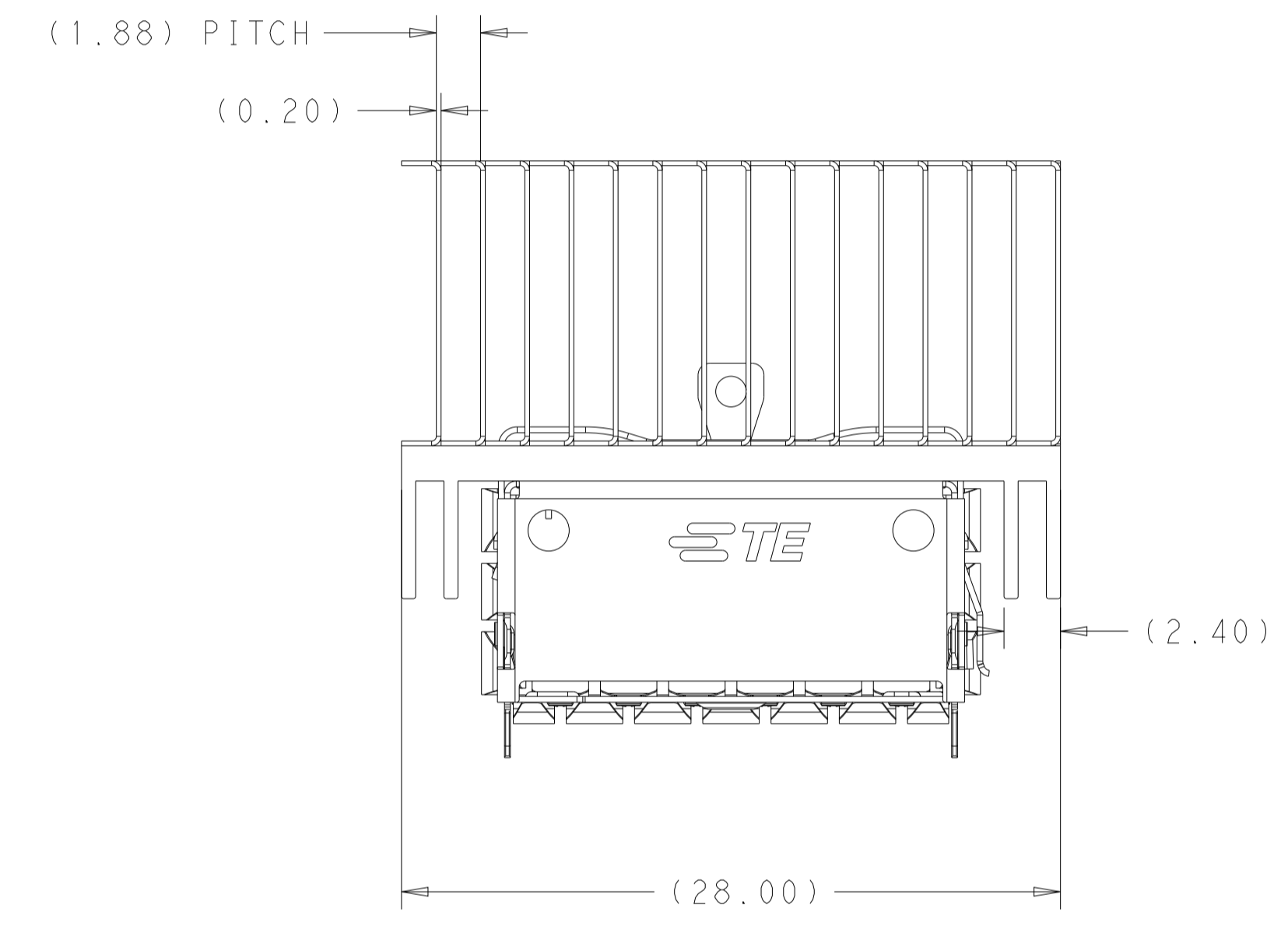
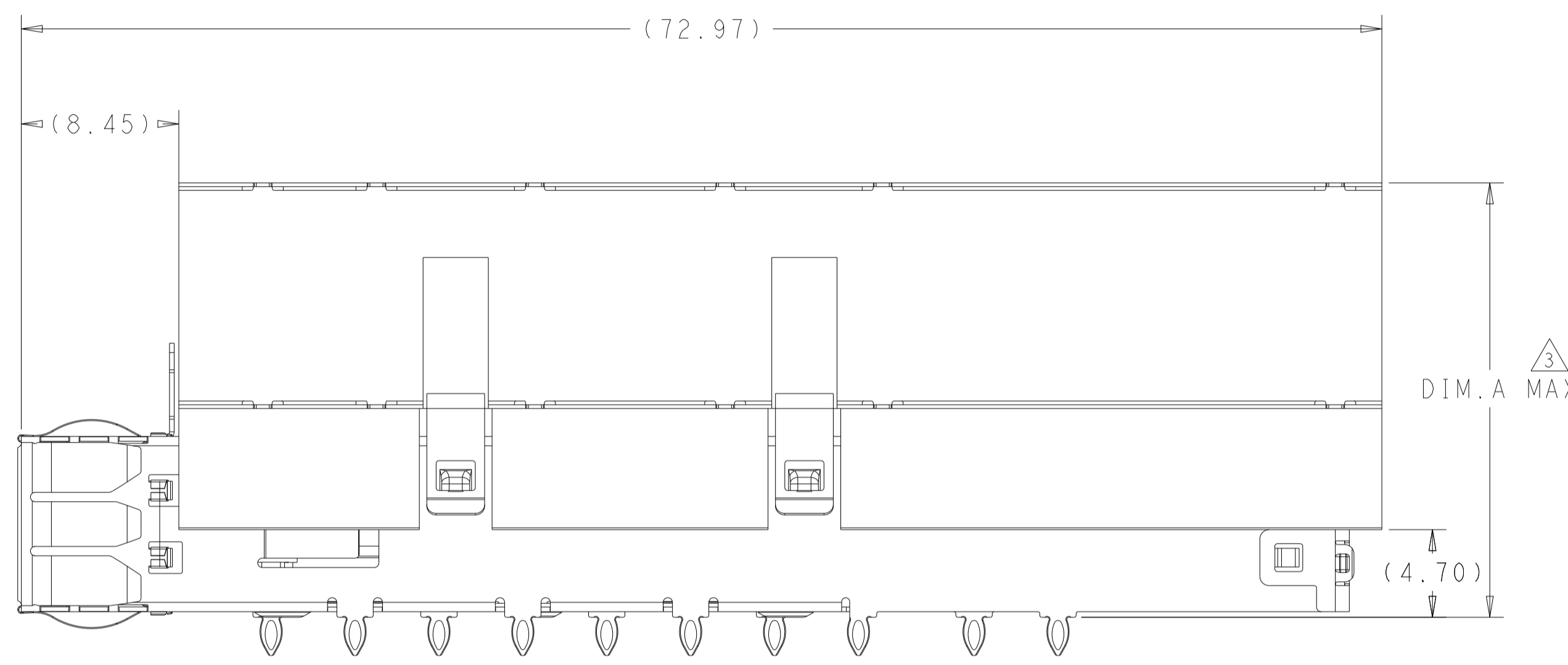
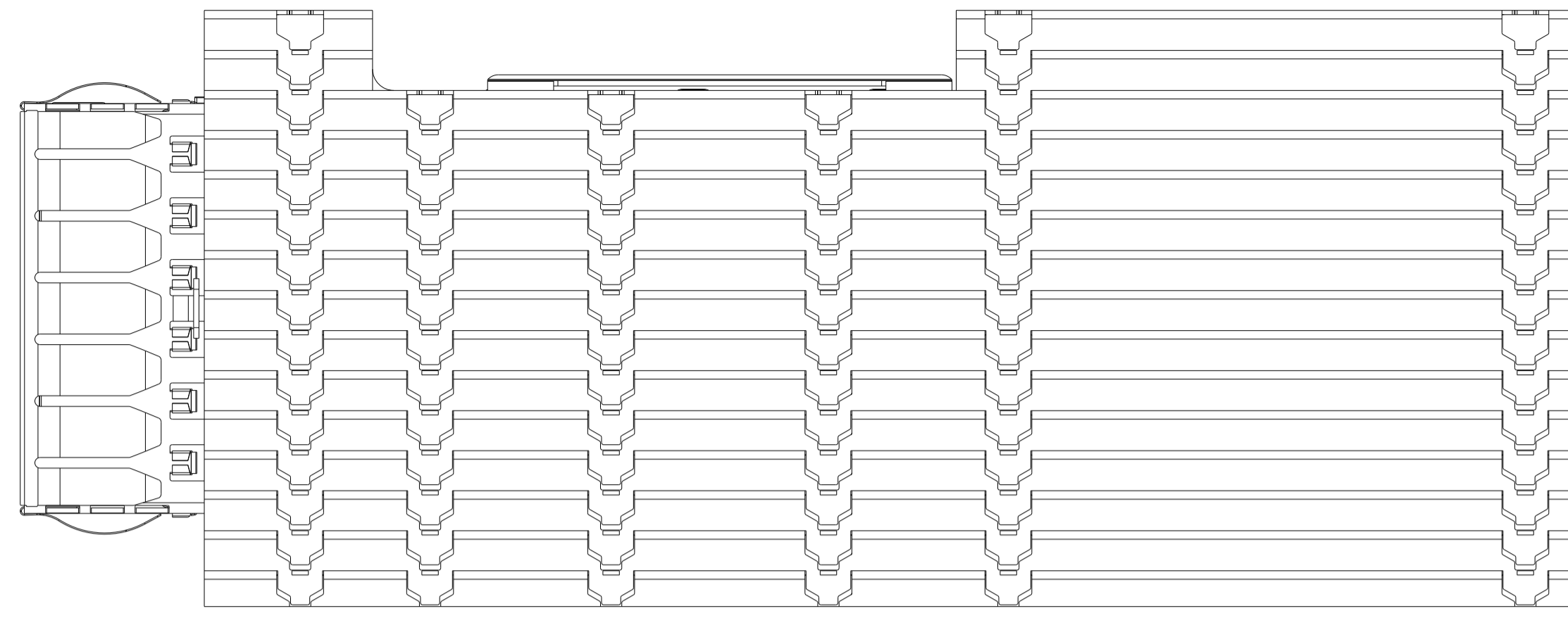
2361706-5 SAME AS 1-3 EXCEPT WITH TWO REAR PINS
SCALE 4:1



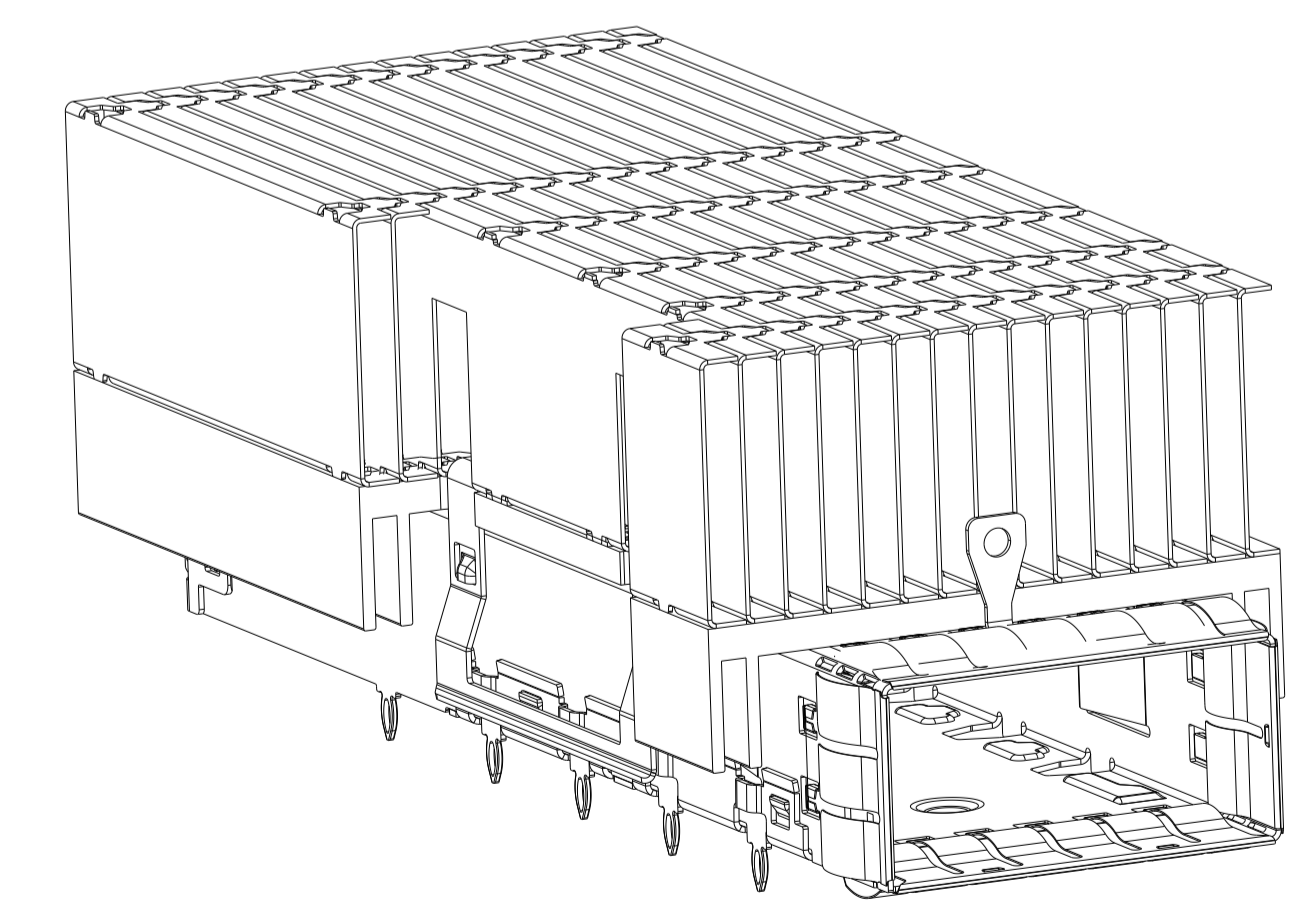
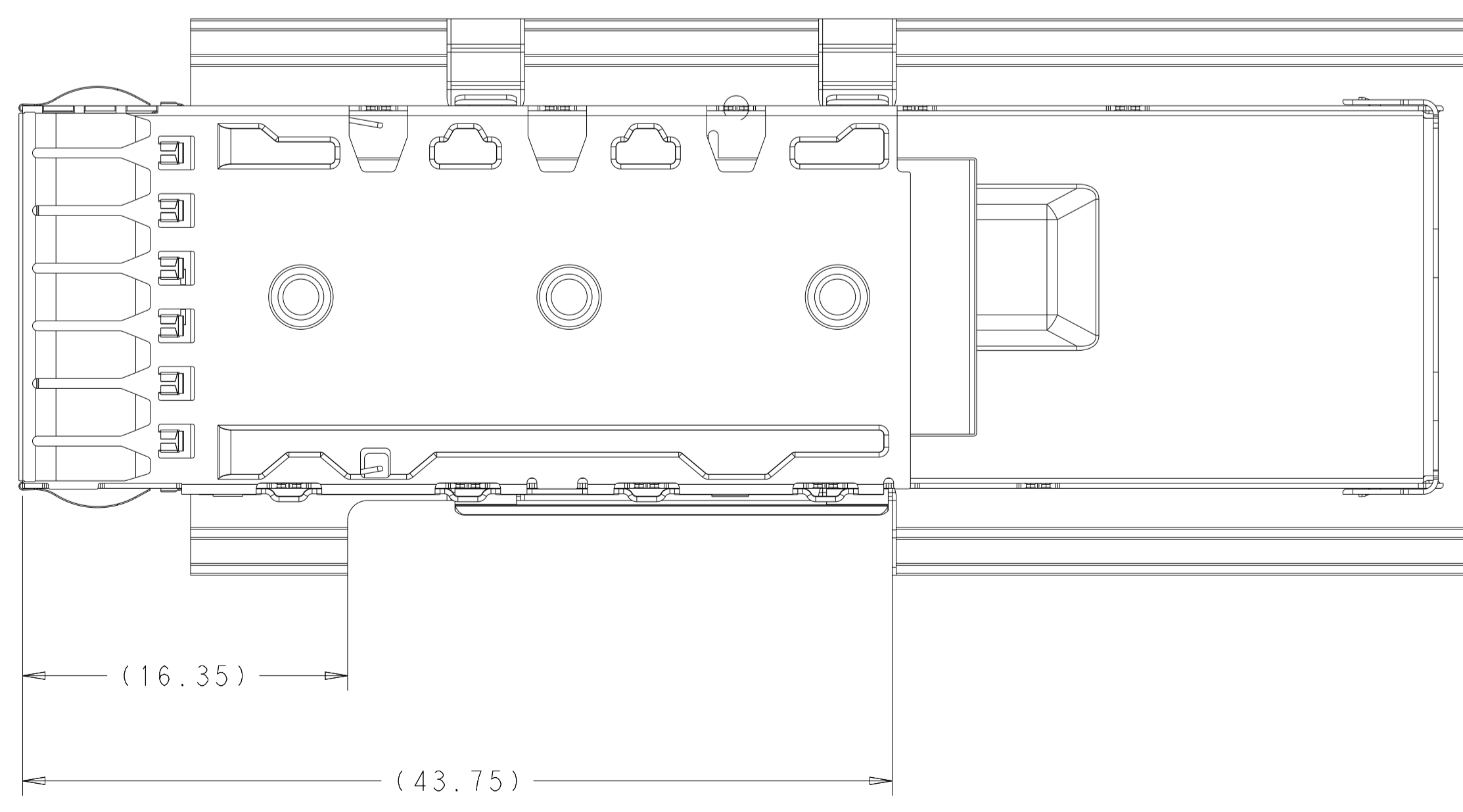
2361706-5 3D VIEW
SCALE 2:1

THIS DRAWING IS A CONTROLLED DOCUMENT.		OWN: ARTHUR JIN 22AUG2019	TE Connectivity	
		CHK: SEAN HAN 22AUG2019		
DIMENSIONS:		TOLERANCES UNLESS OTHERWISE SPECIFIED:		NAME: CAGE ASSEMBLY, QSFP-DD 1X1 WITH WIDE HEAT SINK
mm	0 PLC ±	1 PLC ±0.25	2 PLC ±0.20	PRODUCT SPEC: 108-60122
	3 PLC ±0.10	4 PLC ±	ANGLES ±	APPLICATION SPEC: 114-60025
	FINISH	WEIGHT	SIZE: A1	CAGE CODE: C=2361706
MATERIAL:			CUSTOMER DRAWING	SCALE: 2:1 SHEET 4 OF 9 REV A7

LOC		DIST		REVISIONS			
P	LTN	DESCRIPTION	DATE	DMN	APVD		
-	-	SEE SHEET 1	-	-	-		



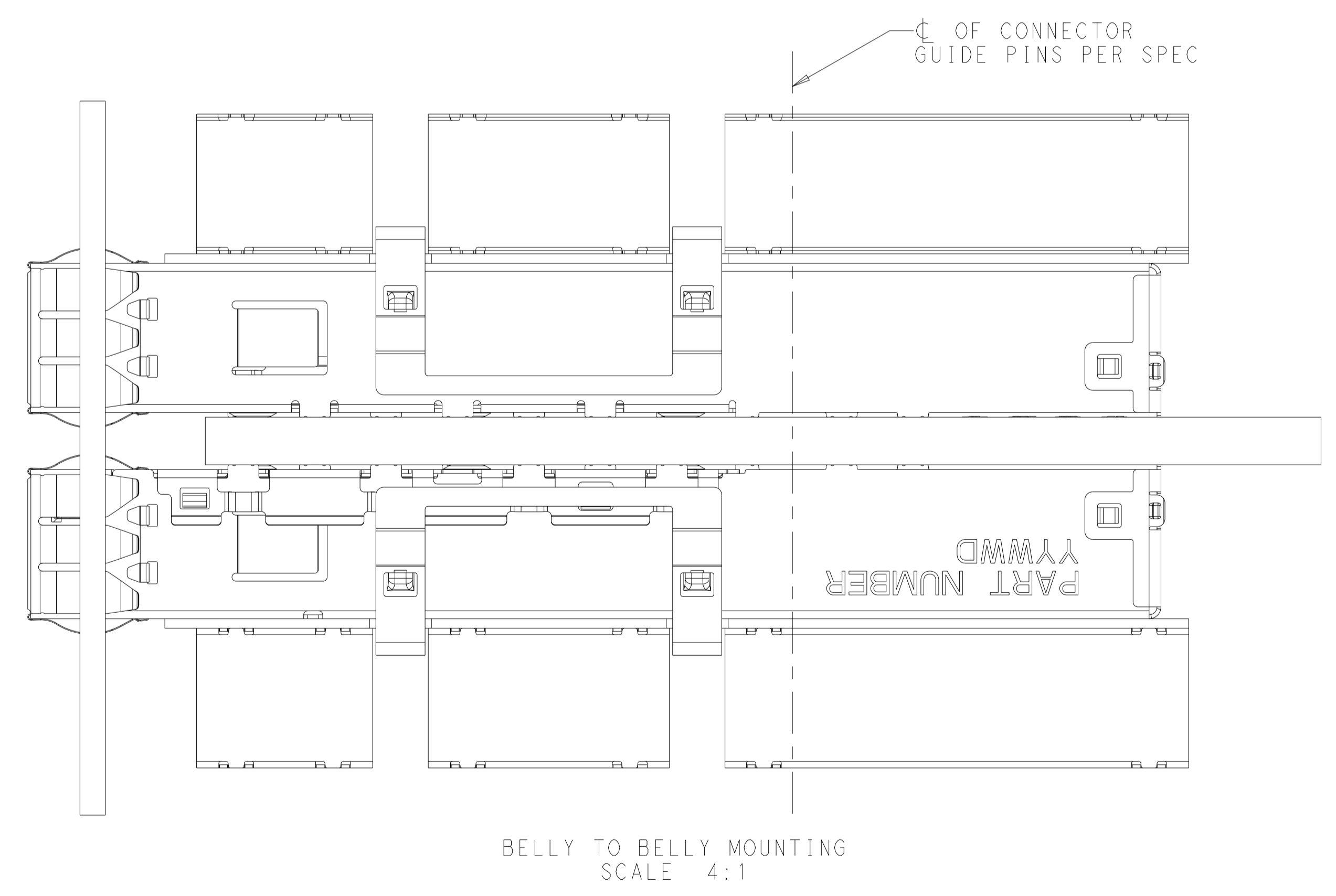
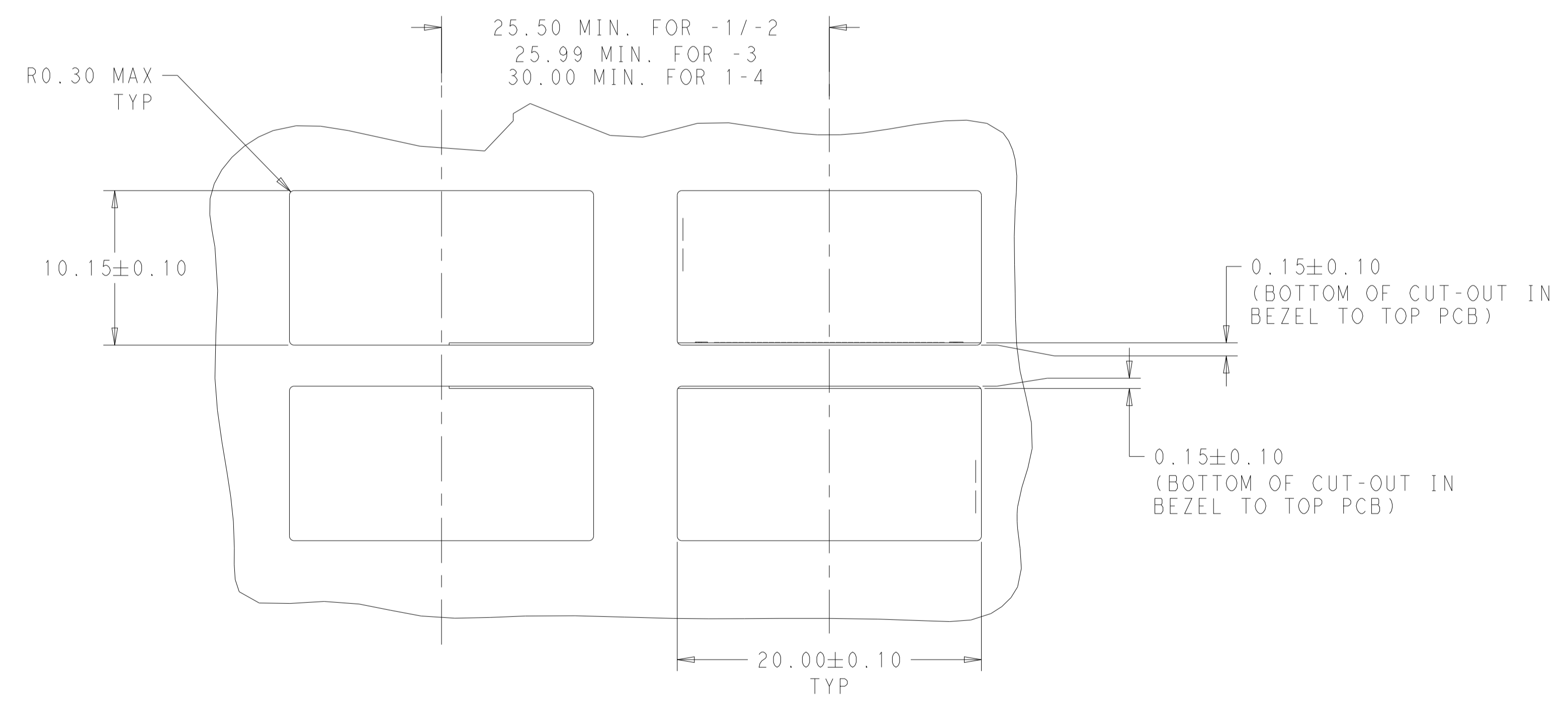
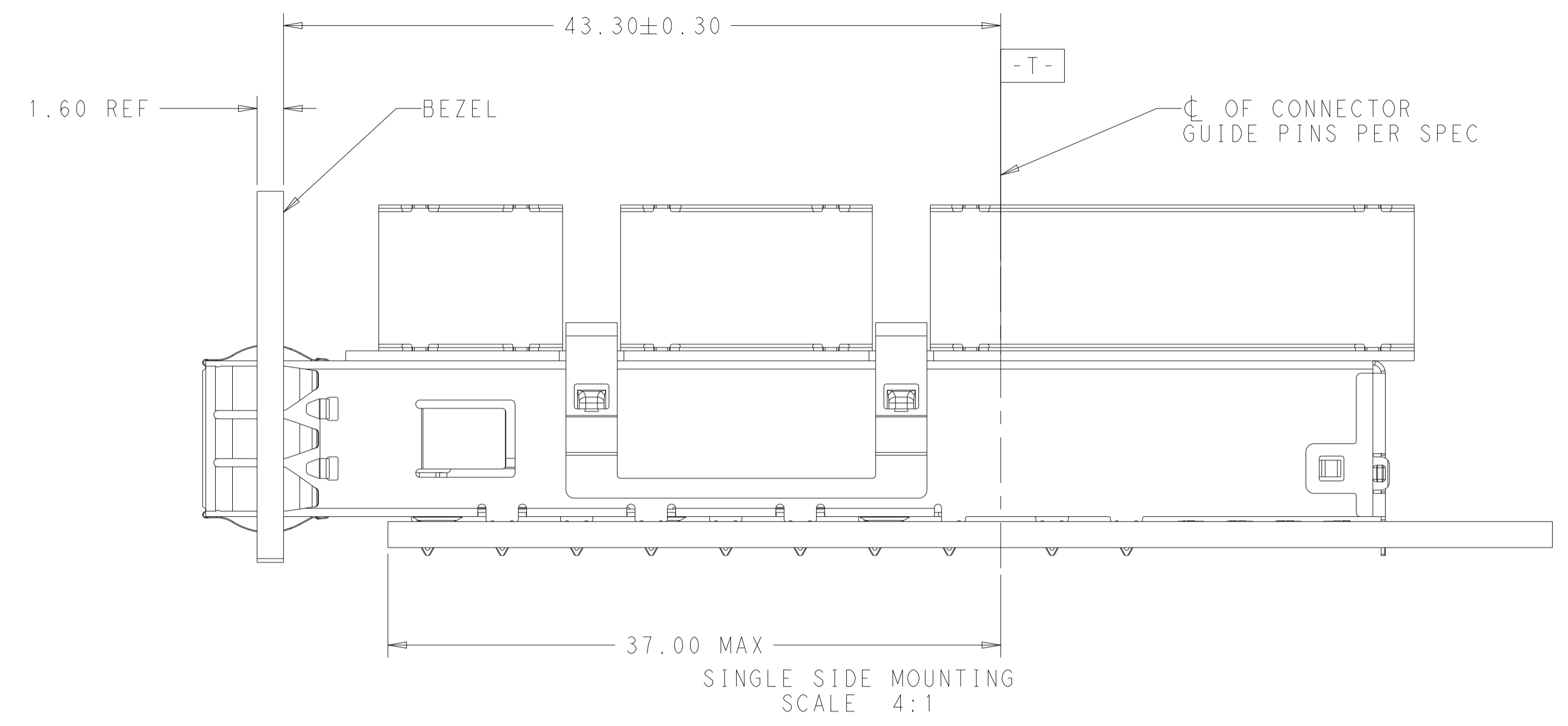
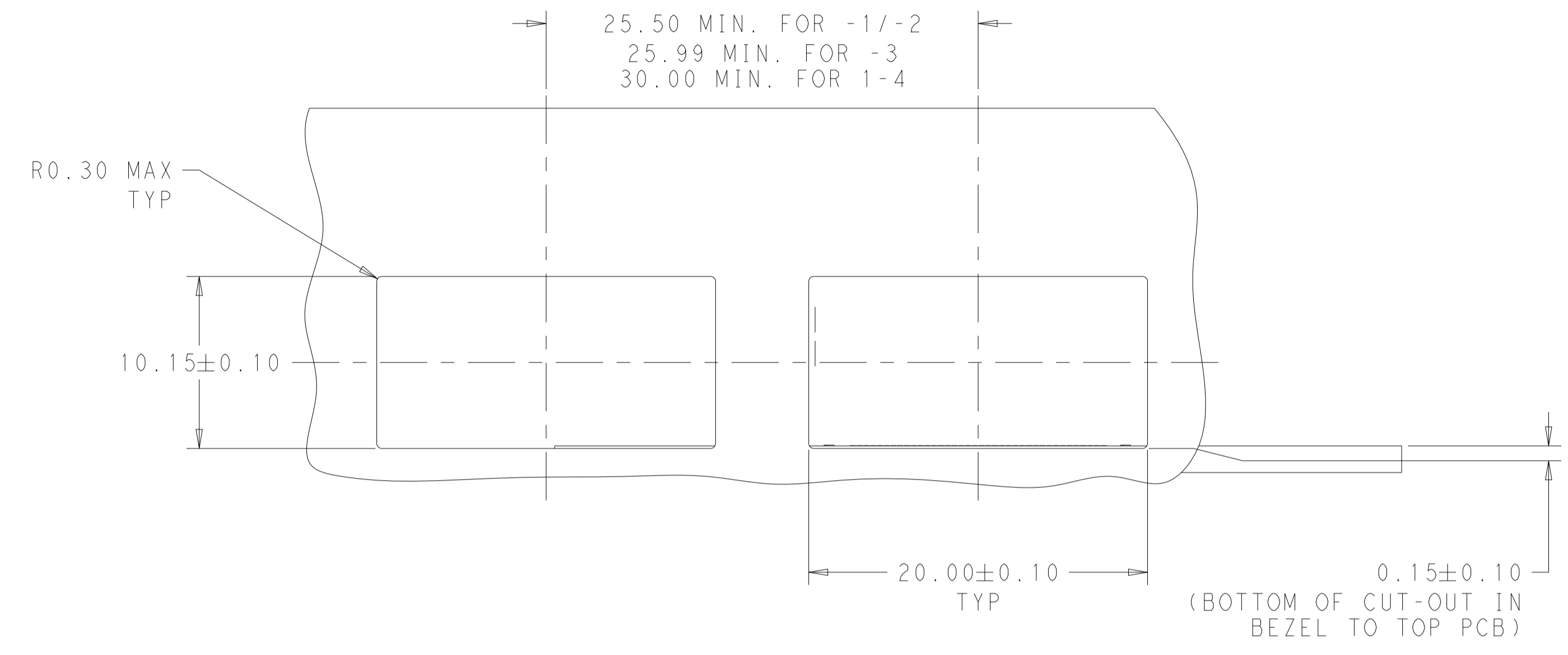
1-2361706-4 AS SHOWN
 SCALE 4:1



SCALE 3:1

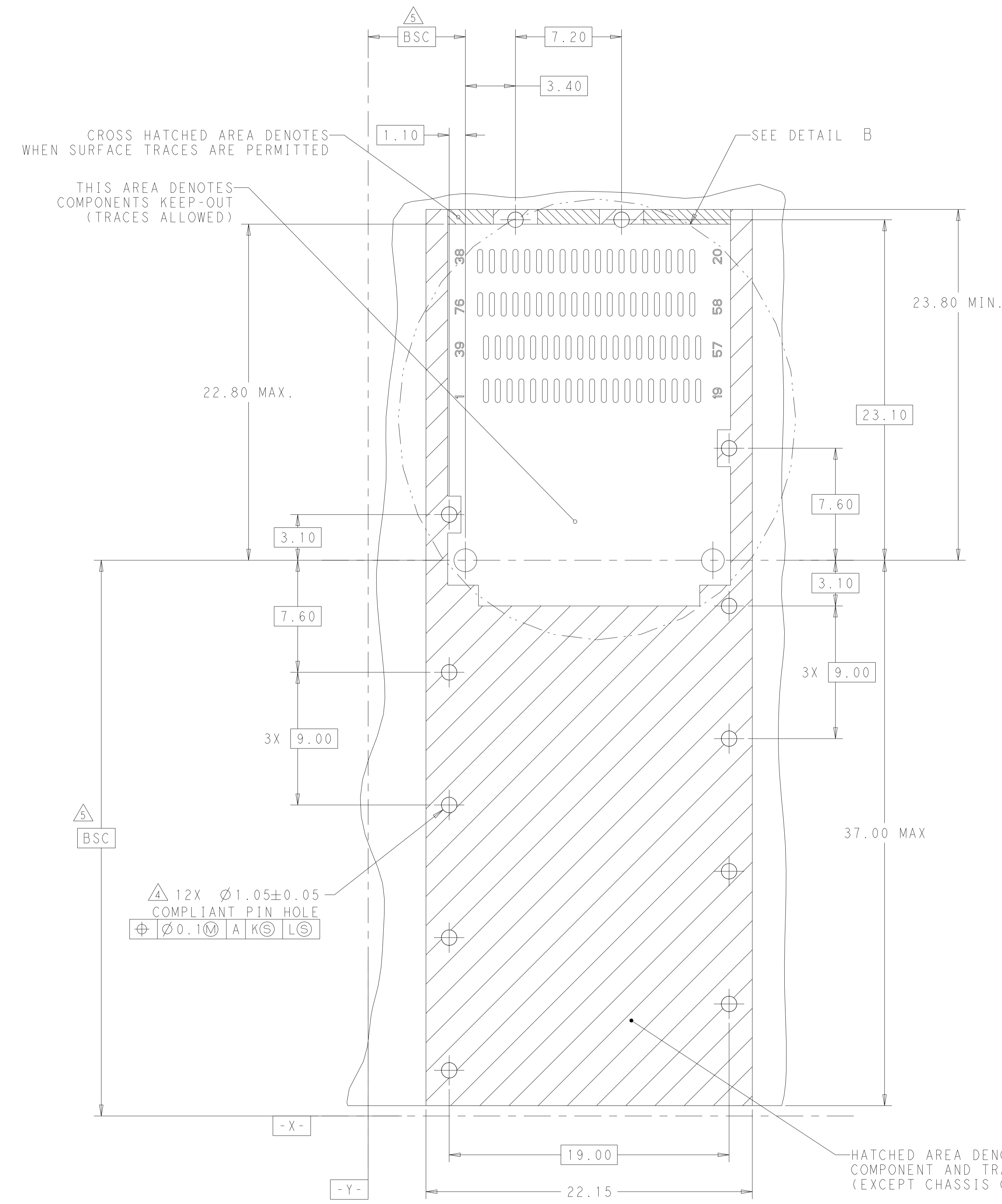
THIS DRAWING IS A CONTROLLED DOCUMENT.		DMN: ARTHUR JIN 22AUG2019	TE Connectivity
		CHK: SEAN HAN 22AUG2019	
DIMENSIONS:		NAME: CAGE ASSEMBLY, QSFP-DD 1X1 WITH WIDE HEAT SINK	
TOLERANCES UNLESS OTHERWISE SPECIFIED:		PRODUCT SPEC: 108-60122	
mm		APPLICATION SPEC: 114-60025	
0 PLC ±		SIZE: A1	
1 PLC ±0.25		CAGE CODE: -	
2 PLC ±0.20		DRAWING NO: C=2361706	
3 PLC ±0.10		RESTRICTED TO: -	
4 PLC ±		SCALE: 2:1	
ANGLES ±		SHEET: 5 of 9	
FINISH ±		REV: A7	
MATERIAL: -		CUSTOMER DRAWING	

LOC		DIST		REVISIONS			
P	LTN	DESCRIPTION	DATE	DWN	APVD		
-	-	SEE SHEET 1	-	-	-		

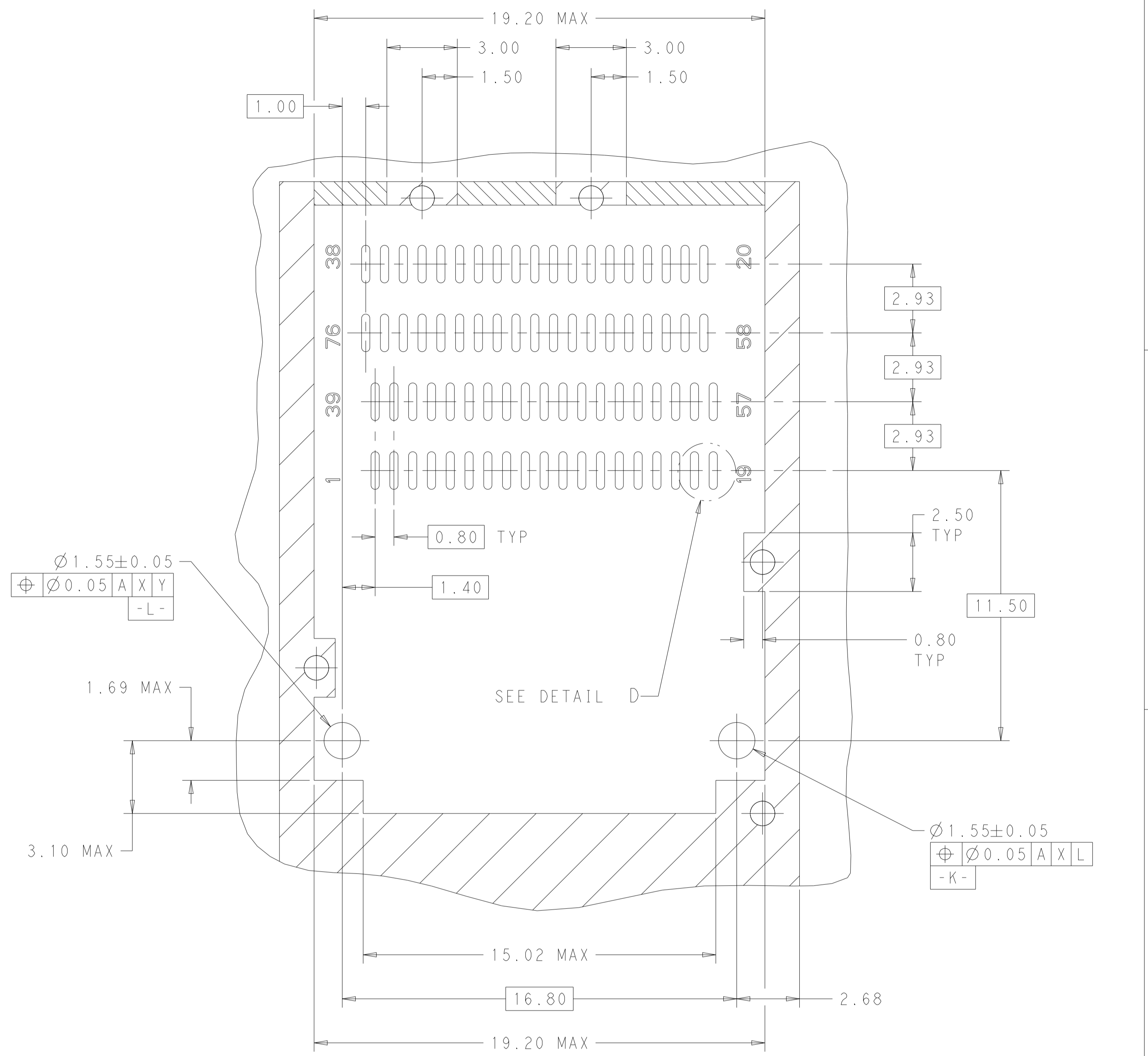


THIS DRAWING IS A CONTROLLED DOCUMENT.		DWN: ARTHUR JIN 22AUG2019	TE Connectivity
DIMENSIONS: mm		CHK: SEAN HAN 22AUG2019	
TOLERANCES UNLESS OTHERWISE SPECIFIED:		APVD:	NAME: CAGE ASSEMBLY, QSFP-DD 1X1 WITH WIDE HEAT SINK
0 PLC ±	1 PLC ±0.25	PRODUCT SPEC	108-60122
2 PLC ±0.20	3 PLC ±0.10	APPLICATION SPEC	114-60025
4 PLC ±	ANGLES ±	SIZE: A1	CAGE CODE: C=2361706
MATERIAL:	FINISH:	WEIGHT:	SCALE: 2:1
CUSTOMER DRAWING		SHEET 6 OF 9	REV A7

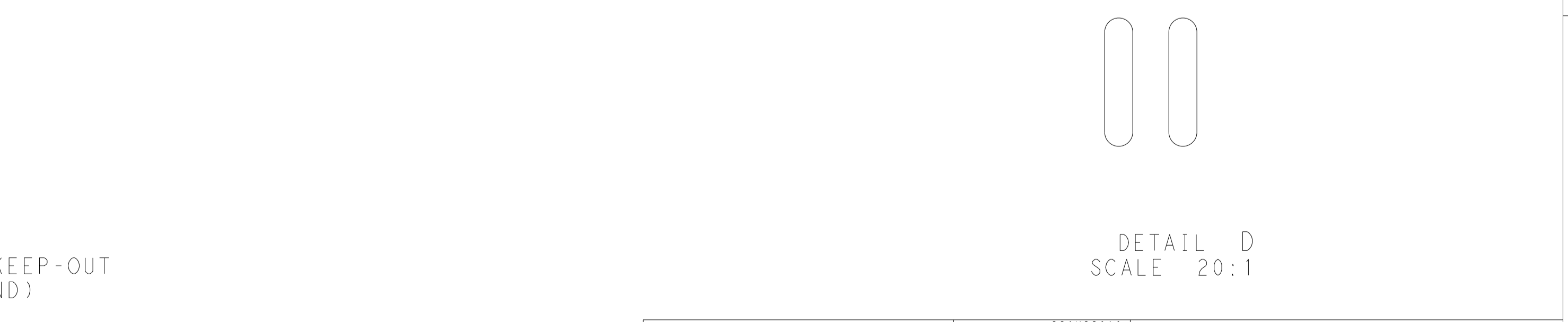
LOC		DIST		REVISIONS			
P	LTN	DESCRIPTION	DATE	DMN	APVD		
-	-	SEE SHEET 1	-	-	-		



GENERAL PCB LAYOUT
 SINGLE TYPE OF 2 REAR HOLES OF LEGS
 PCB TOLERANCE: ±0.05
 SCALE 6:1



DETAIL B
 SCALE 8:1



DETAIL D
 SCALE 20:1

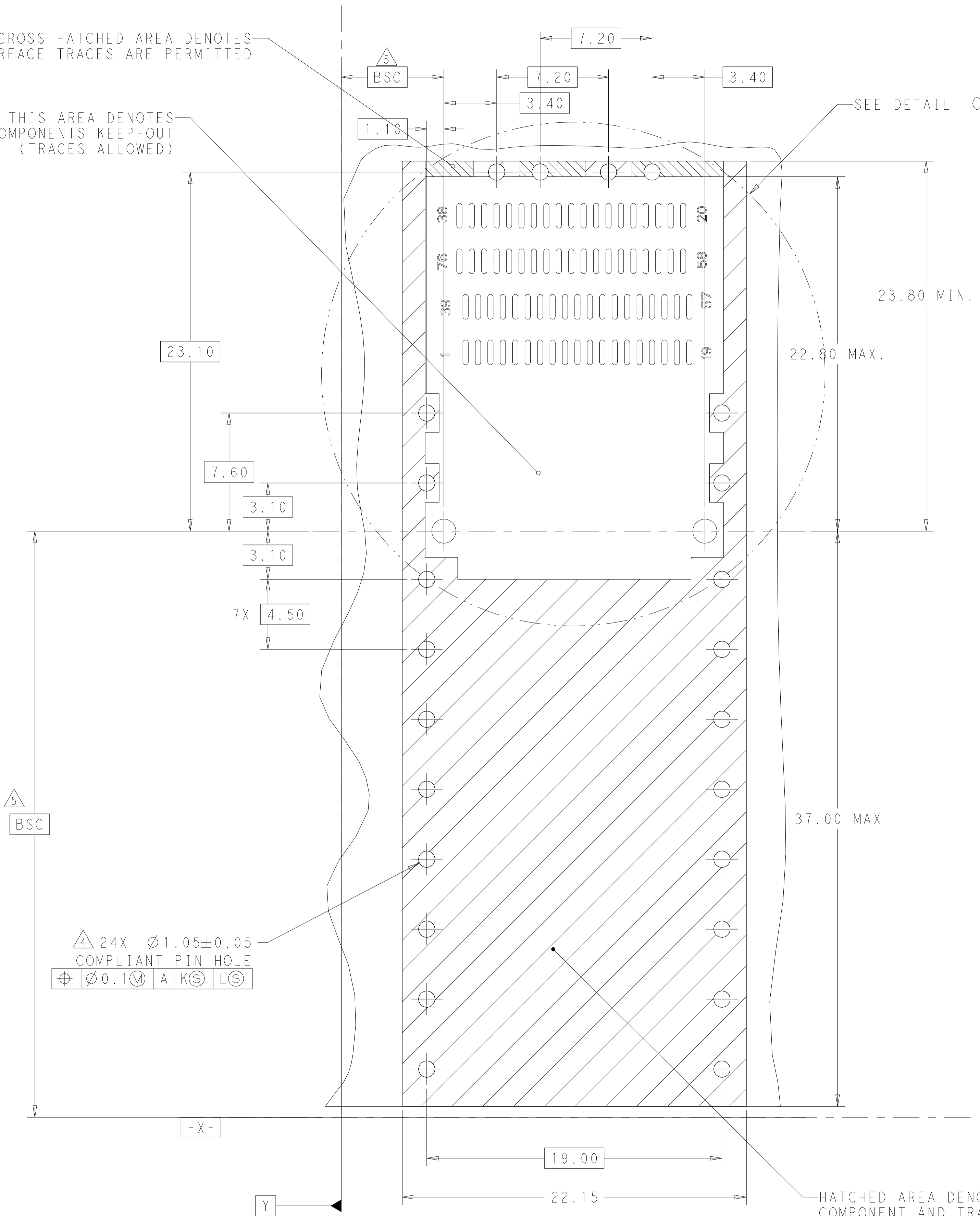
THIS DRAWING IS A CONTROLLED DOCUMENT.		DMN: ARTHUR JIN 22AUG2019	TE Connectivity
DIMENSIONS: mm		CHK: SEAN HAN 22AUG2019	
TOLERANCES UNLESS OTHERWISE SPECIFIED:		APVD:	NAME: CAGE ASSEMBLY, QSFP-DD 1X1 WITH WIDE HEAT SINK
0 PLC ±	1 PLC ±0.25	PRODUCT SPEC: 108-60122	SIZE: A1
2 PLC ±0.20	3 PLC ±0.10	APPLICATION SPEC: 114-60025	CAGE CODE: -
4 PLC ±	ANGLES ±	WEIGHT: -	DRAWING NO: C=2361706
MATERIAL: -	FINISH: -	CUSTOMER DRAWING	SCALE: 2:1
		SHEET 7 OF 9	
		REV A7	

LOC		DIST		REVISIONS			
P	LTN	DESCRIPTION	DATE	DWN	APVD		
-	-	SEE SHEET 1	-	-	-		

CROSS HATCHED AREA DENOTES WHEN SURFACE TRACES ARE PERMITTED

THIS AREA DENOTES COMPONENTS KEEP-OUT (TRACES ALLOWED)

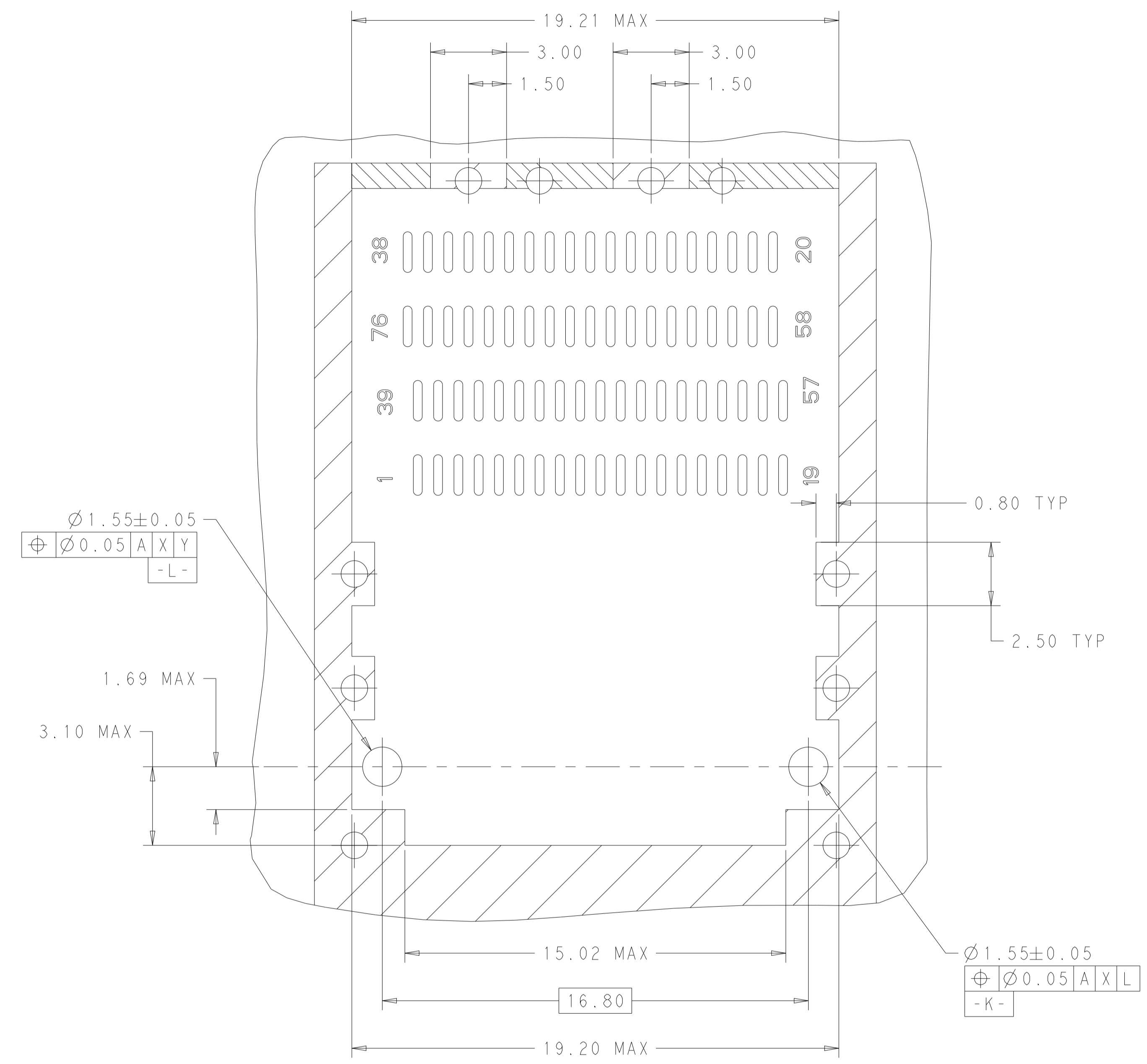
SEE DETAIL C



24X $\varnothing 1.05 \pm 0.05$ COMPLIANT PIN HOLE
 $\varnothing 0.1 \text{ M A K S L S}$

HATCHED AREA DENOTES COMPONENT AND TRACE KEEP-OUT (EXCEPT CHASSIS GROUND)

GENERAL PCB LAYOUT
 BELLY TO BELLY TYPE OF 2 REAR HOLES OF LEGS
 PCB TOLERANCE: ± 0.05
 SCALE 6:1



DETAIL C
 SCALE 8:1

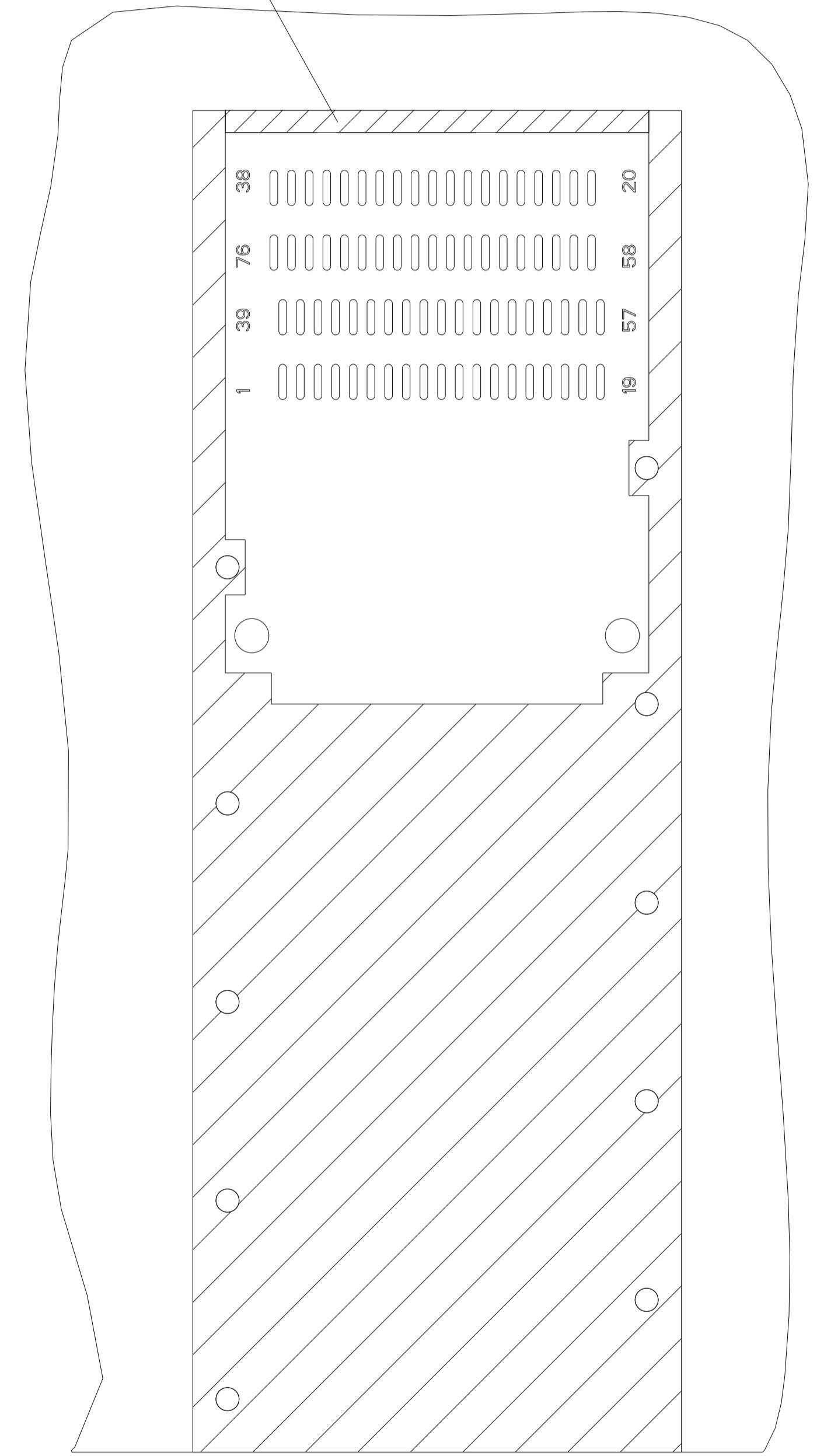
THIS DRAWING IS A CONTROLLED DOCUMENT.		DWN: ARTHUR JIN 22AUG2019	TE Connectivity
DIMENSIONS: mm		CHK: SEAN HAN 22AUG2019	
TOLERANCES UNLESS OTHERWISE SPECIFIED:		APVD:	NAME: CAGE ASSEMBLY, QSFP-DD 1X1 WITH WIDE HEAT SINK
0 PLC	±	PRODUCT SPEC	108-60122
1 PLC	±0.25	APPLICATION SPEC	114-60025
2 PLC	±0.20	WEIGHT	A1
3 PLC	±0.10	CUSTOMER DRAWING	SCALE 2:1 SHEET 8 OF 9 REV A7
4 PLC	±		
ANGLES	±		
FINISH	±		

THIS DRAWING IS UNPUBLISHED. RELEASED FOR PUBLICATION. ALL RIGHTS RESERVED.

LOC		DIST		REVISIONS			
P	LTN	DESCRIPTION	DATE	DWN	APVD		
-	-	SEE SHEET 1	-	-	-		

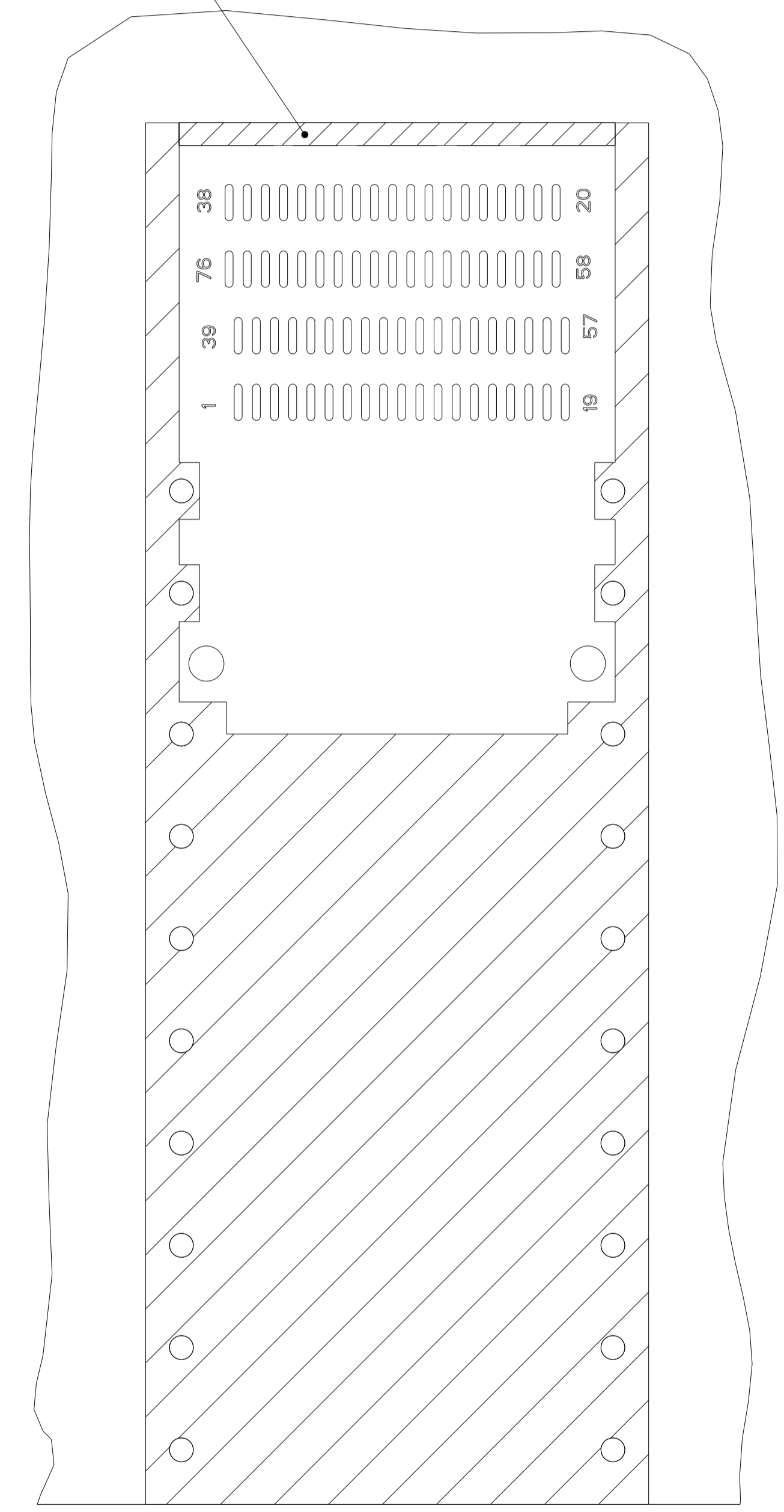
ONLY FOR 1-2361706-1/1-2/1-3/1-4

CROSS HATCHED AREA DENOTES WHEN SURFACE TRACES ARE PERMITTED




PCB LAYOUT
 SINGLE TYPE OF 0 REAR HOLES OF LEGS
 UNSPECIFIED DIMENSIONS SAME AS GENERAL
 PCB TOLERANCE: ±0.05
 SCALE 5:1

CROSS HATCHED AREA DENOTES WHEN SURFACE TRACES ARE PERMITTED



PCB LAYOUT
 BELLY TO BELLY TYPE OF 0 REAR HOLES OF LEGS
 UNSPECIFIED DIMENSIONS SAME AS GENERAL
 PCB TOLERANCE: ±0.05
 SCALE 5:1

THIS DRAWING IS A CONTROLLED DOCUMENT.		DWN	22AUG2019	 TE Connectivity
		CHK	22AUG2019	
DIMENSIONS:		TOLERANCES UNLESS OTHERWISE SPECIFIED:		NAME
mm	0 PLC ±	0 PLC ±0.25		PRODUCT SPEC
	1 PLC ±0.25	1 PLC ±0.25		108-60122
	2 PLC ±0.25	2 PLC ±0.25		APPLICATION SPEC
	3 PLC ±0.10	3 PLC ±0.10		114-60025
	4 PLC ±	4 PLC ±		SIZE
	ANGLES ±	ANGLES ±		A1
	FINISH ±	FINISH ±		CAGE CODE
MATERIAL		WEIGHT		2361706
		CUSTOMER DRAWING		RESTRICTED TO
		SCALE 2:1		SHEET 9 of 9
				REV A7