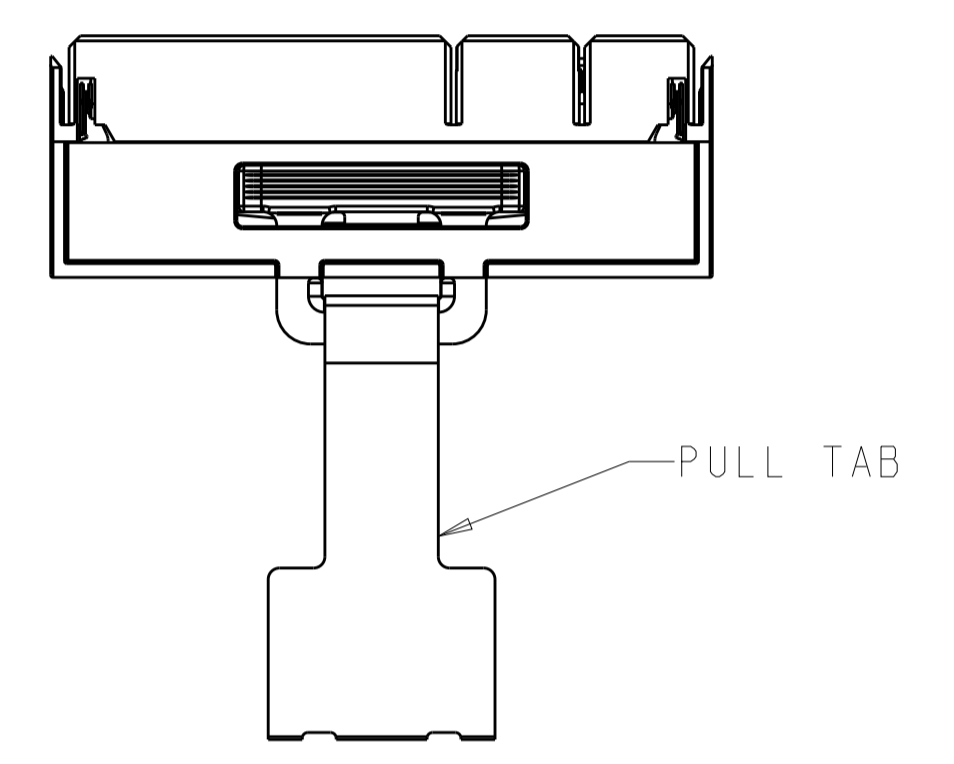
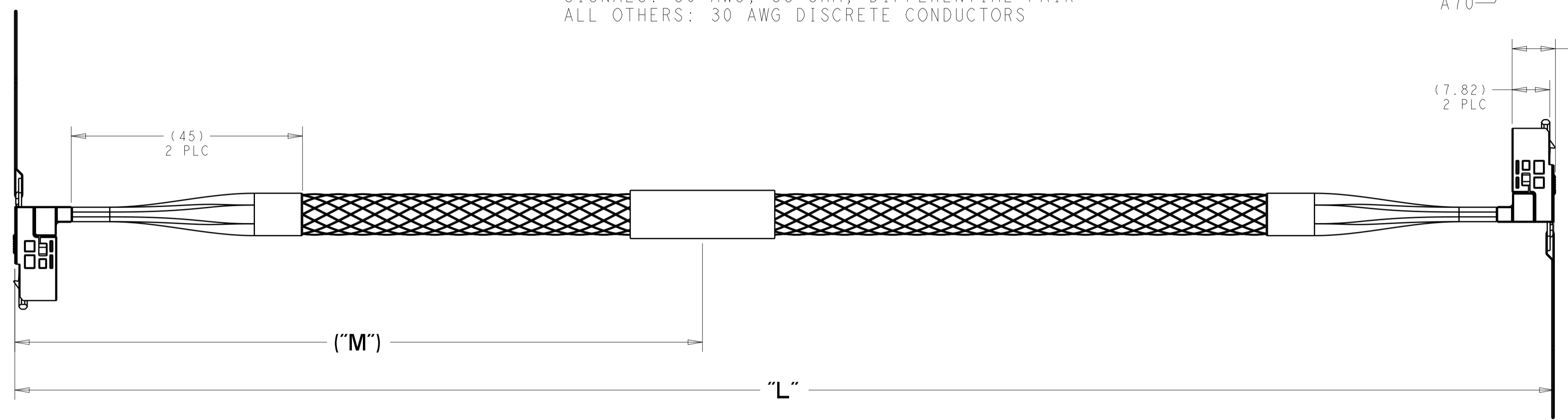
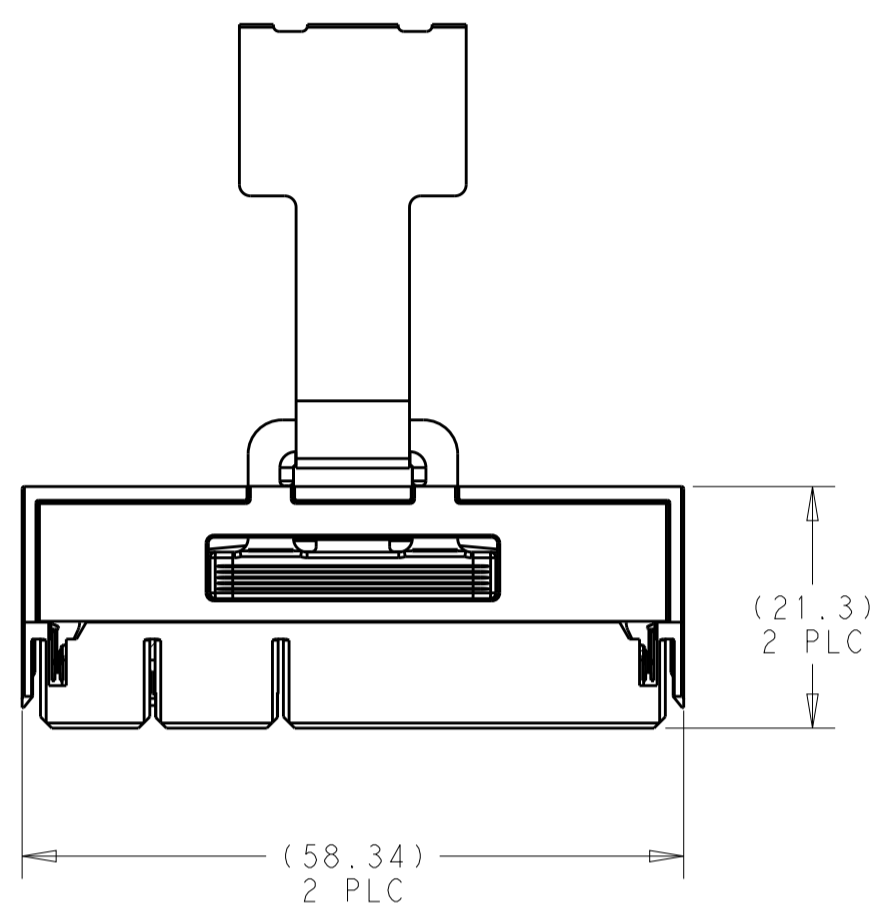
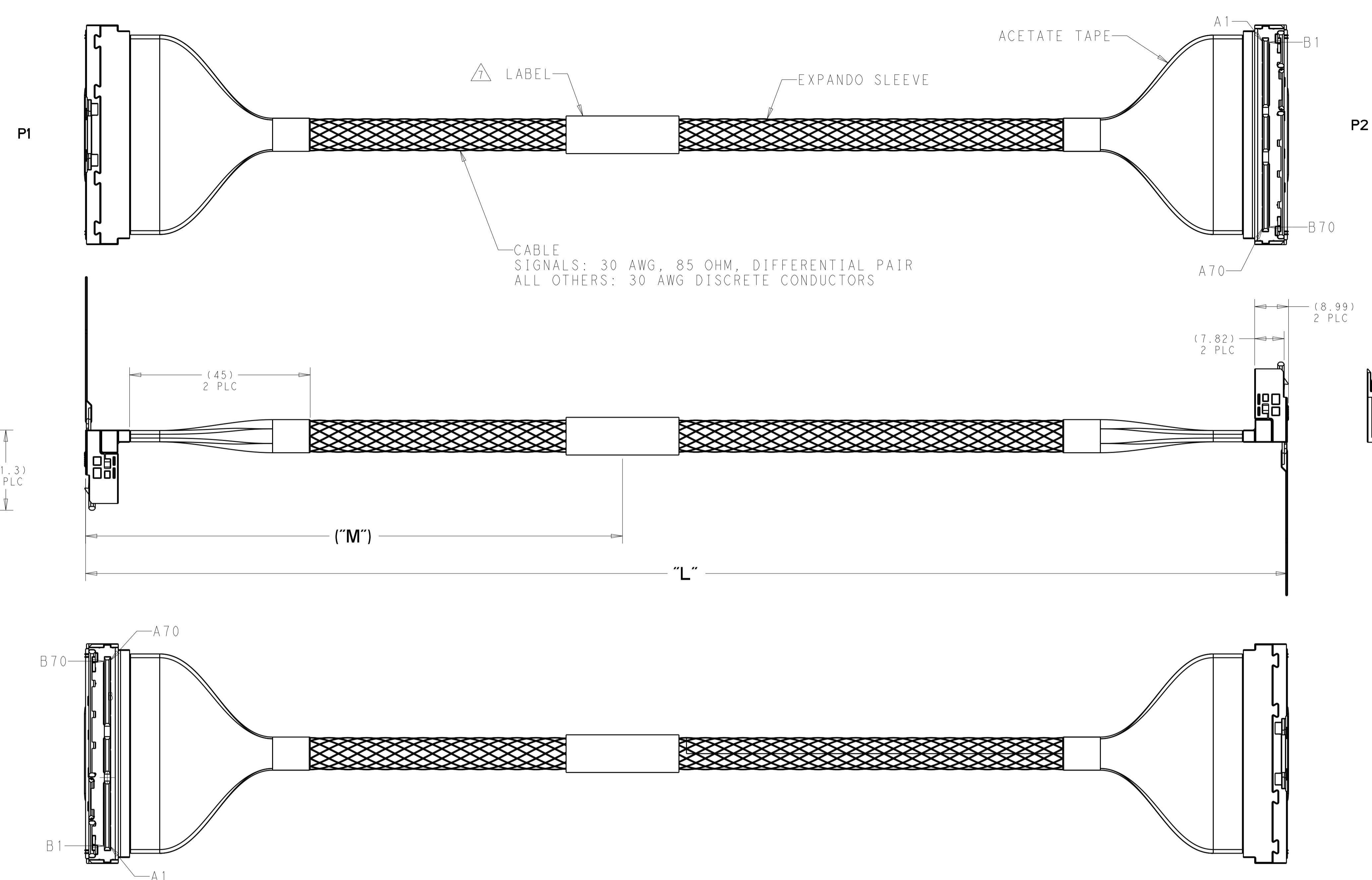


REVISIONS				
P.	LTN.	DESCRIPTION	DATE	APPD.
B		ECO-20-013466	30SEP2020	NN DZ



1. ALL MATERIALS, COMPONENTS AND PROCESS SHALL COMPLY WITH TEC-138-702. (CONTAINS NO BANNED OR RESTRICTED SUBSTANCES).
2. NO REACH SvHC SHALL BE CONTAINED ABOVE THE THRESHOLD AS DEFINED IN REACH SvHC COMPLIANCE DEFINITION IN ANNEX A OF TEC-138-702.
3. ASSEMBLY TESTED FOR CONTINUITY, OPENS, SHORTS, AND SIGNAL INTEGRITY.
4. CABLE BEND RADIUS 5X BUNDLED CABLE OD.
5. SEE SHEET 2 AND 3 FOR WIRING SCHEMATIC.
6. CONNECTORS ARE GEN-Z COMPLIANT.

△ LABEL INFORMATION SHOWN BELOW:



8. CABLE CONNECTOR MATES WITH TE SLIVER RECEPTACLE P/N 2332139-X, OR 2332205-X.

500	1000 +10/-0	2361357-2
250	500 +10/-0	2361357-1
("M")	"L"	TE P/N

THIS DRAWING IS A CONTROLLED DOCUMENT.		OWN: B. MATTHEWS 30AUG2019	TE Connectivity
		CHK: R. HENRY 30AUG2019	
DIMENSIONS: mm 		TOLERANCES UNLESS OTHERWISE SPECIFIED: 0 PLC ±.5 1 PLC ±0.5 2 PLC ±0.13 3 PLC ±0.013 4 PLC ±0.001 ANGLES ±.0001	NAME: SLIVER 2.0 4C 30AWG RIGHT ANGLE TO RIGHT ANGLE
MATERIAL: -		FINISH: -	SIZE: A1 CAGE CODE: 00779 DRAWING NO: C=2361357
CUSTOMER DRAWING		SCALE: 3:2	SHEET: 1 OF 3 REV: B

REVISIONS				
P.	LTN	DESCRIPTION	DATE	APVD
-	-	SEE SHEET 1	-	-

PIN NO.	P1		WIRE TYPE	P2		
	PAIR NO.	DESIGNATION		DESIGNATION	PAIR NO.	PIN NO.
A1		GROUND	DISCRETE	GROUND		A1
A2		GROUND	DISCRETE	GROUND		A2
A3		GROUND	DISCRETE	GROUND		A3
A4		GROUND	DISCRETE	GROUND		A4
A5		GROUND	DISCRETE	GROUND		A5
A6		GROUND	DISCRETE	GROUND		A6
A7		SIDE BAND	DISCRETE	SIDE BAND		A7
A8		SIDE BAND	DISCRETE	SIDE BAND		A8
A9		SIDE BAND	DISCRETE	SIDE BAND		A9
A10		SIDE BAND	DISCRETE	SIDE BAND		A10
A11		SIDE BAND	DISCRETE	SIDE BAND		A11
A12		SIDE BAND	DISCRETE	SIDE BAND		A12
A13		GND		GND		A13
A14		CLK	DIFF PAIR	CLK		A14
A15		CLK	DIFF PAIR	CLK		A15
A16		GND		GND		A16
A17	0	PCIeTX	DIFF PAIR	PCIeTX	0	A17
A18	0	PCIe TX	DIFF PAIR	PCIe TX	0	A18
A19		GND		GND		A19
A20	1	PCIeTX	DIFF PAIR	PCIeTX	1	A20
A21	1	PCIe TX	DIFF PAIR	PCIe TX	1	A21
A22		GND		GND		A22
A23	2	PCIeTX	DIFF PAIR	PCIeTX	2	A23
A24	2	PCIe TX	DIFF PAIR	PCIe TX	2	A24
A25		GND		GND		A25
A26	3	PCIeTX	DIFF PAIR	PCIeTX	3	A26
A27	3	PCIe TX	DIFF PAIR	PCIe TX	3	A27
A28		GND		GND		A28
		KEY		KEY		
A29		GND		GND		A29
A30	4	PCIeTX	DIFF PAIR	PCIeTX	4	A30
A31	4	PCIe TX	DIFF PAIR	PCIe TX	4	A31
A32		GND		GND		A32
A33	5	PCIeTX	DIFF PAIR	PCIeTX	5	A33
A34	5	PCIe TX	DIFF PAIR	PCIe TX	5	A34
A35		GND		GND		A35
A36	6	PCIeTX	DIFF PAIR	PCIeTX	6	A36
A37	6	PCIe TX	DIFF PAIR	PCIe TX	6	A37
A38		GND		GND		A38
A39	7	PCIeTX	DIFF PAIR	PCIeTX	7	A39
A40	7	PCIe TX	DIFF PAIR	PCIe TX	7	A40
A41		GND		GND		A41
A42		SIDE BAND	DISCRETE	SIDE BAND		A42
		KEY		KEY		
A43		GND		GND		A43
A44	8	PCIeTX	DIFF PAIR	PCIeTX	8	A44
A45	8	PCIe TX	DIFF PAIR	PCIe TX	8	A45
A46		GND		GND		A46
A47	9	PCIeTX	DIFF PAIR	PCIeTX	9	A47
A48	9	PCIe TX	DIFF PAIR	PCIe TX	9	A48
A49		GND		GND		A49
A50	10	PCIeTX	DIFF PAIR	PCIeTX	10	A50
A51	10	PCIe TX	DIFF PAIR	PCIe TX	10	A51
A52		GND		GND		A52
A53	11	PCIeTX	DIFF PAIR	PCIeTX	11	A53
A54	11	PCIe TX	DIFF PAIR	PCIe TX	11	A54
A55		GND		GND		A55
A56	12	PCIeTX	DIFF PAIR	PCIeTX	12	A56
A57	12	PCIe TX	DIFF PAIR	PCIe TX	12	A57
A58		GND		GND		A58
A59	13	PCIeTX	DIFF PAIR	PCIeTX	13	A59
A60	13	PCIe TX	DIFF PAIR	PCIe TX	13	A60
A61		GND		GND		A61
A62	14	PCIeTX	DIFF PAIR	PCIeTX	14	A62
A63	14	PCIe TX	DIFF PAIR	PCIe TX	14	A63
A64		GND		GND		A64
A65	15	PCIeTX	DIFF PAIR	PCIeTX	15	A65
A66	15	PCIe TX	DIFF PAIR	PCIe TX	15	A66
A67		GND		GND		A67
A68		RESERVED	DISCRETE	RESERVED		A68
A69		RESERVED	DISCRETE	RESERVED		A69
A70		RESERVED	DISCRETE	RESERVED		A70

COMMONED

COMMONED

THIS DRAWING IS A CONTROLLED DOCUMENT. DWN: B. MATTHEWS 30AUG2019
 CHK: R. HENRY 30AUG2019

STE TE Connectivity

NAME: SLIVER 2.0 4C 30AWG
 RIGHT ANGLE TO RIGHT ANGLE

SIZE: A1 CAGE CODE: 2361357 DRAWING NO: 100779

RESTRICTED TO: CUSTOMER DRAWING

SCALE: 1:1 SHEET 2 OF 3 REV B

DIMENSIONS: mm
 TOLERANCES UNLESS OTHERWISE SPECIFIED:
 0 PLC ±.1
 1 PLC ±0.5
 2 PLC ±0.13
 3 PLC ±0.013
 4 PLC ±0.001
 ANGLES ±.1

REVISIONS				
P.	LTN.	DESCRIPTION	DATE	APVD.
-	-	SEE SHEET 1	-	-

P1			WIRE TYPE	P2		
PIN NO.	PAIR NO.	DESIGNATION		DESIGNATION	PAIR NO.	PIN NO.
B1		12V POWER	DISCRETE	12V POWER		B1
B2		12V POWER	DISCRETE	12V POWER		B2
B3		12V POWER	DISCRETE	12V POWER		B3
B4		12V POWER	DISCRETE	12V POWER		B4
B5		12V POWER	DISCRETE	12V POWER		B5
B6		12V POWER	DISCRETE	12V POWER		B6
B7		SIDE BAND	DISCRETE	SIDE BAND		B7
B8		SIDE BAND	DISCRETE	SIDE BAND		B8
B9		SIDE BAND	DISCRETE	SIDE BAND		B9
B10		SIDE BAND	DISCRETE	SIDE BAND		B10
B11		3.3 AUX POWER	DISCRETE	3.3 AUX POWER		B11
B12		SIDE BAND	DISCRETE	SIDE BAND		B12
B13		GND		GND		B13
B14		CLK	DIFF PAIR	CLK		B14
B15		CLK	DIFF PAIR	CLK		B15
B16		GND		GND		B16
B17	0	PCIe RX	DIFF PAIR	PCIe RX	0	B17
B18	0	PCIe RX	DIFF PAIR	PCIe RX	0	B18
B19		GND		GND		B19
B20	1	PCIe RX	DIFF PAIR	PCIe RX	1	B20
B21	1	PCIe RX	DIFF PAIR	PCIe RX	1	B21
B22		GND		GND		B22
B23	2	PCIe RX	DIFF PAIR	PCIe RX	2	B23
B24	2	PCIe RX	DIFF PAIR	PCIe RX	2	B24
B25		GND		GND		B25
B26	3	PCIe RX	DIFF PAIR	PCIe RX	3	B26
B27	3	PCIe RX	DIFF PAIR	PCIe RX	3	B27
B28		GND		GND		B28
		KEY		KEY		
B29		GND		GND		B29
B30	4	PCIe RX	DIFF PAIR	PCIe RX	4	B30
B31	4	PCIe RX	DIFF PAIR	PCIe RX	4	B31
B32		GND		GND		B32
B33	5	PCIe RX	DIFF PAIR	PCIe RX	5	B33
B34	5	PCIe RX	DIFF PAIR	PCIe RX	5	B34
B35		GND		GND		B35
B36	6	PCIe RX	DIFF PAIR	PCIe RX	6	B36
B37	6	PCIe RX	DIFF PAIR	PCIe RX	6	B37
B38		GND		GND		B38
B39	7	PCIe RX	DIFF PAIR	PCIe RX	7	B39
B40	7	PCIe RX	DIFF PAIR	PCIe RX	7	B40
B41		GND		GND		B41
B42		PRSNT DETECT	DISCRETE	PRSNT DETECT		B42
		KEY		KEY		
B43		GND		GND		B43
B44	8	PCIe RX	DIFF PAIR	PCIe RX	8	B44
B45	8	PCIe RX	DIFF PAIR	PCIe RX	8	B45
B46		GND		GND		B46
B47	9	PCIe RX	DIFF PAIR	PCIe RX	9	B47
B48	9	PCIe RX	DIFF PAIR	PCIe RX	9	B48
B49		GND		GND		B49
B50	10	PCIe RX	DIFF PAIR	PCIe RX	10	B50
B51	10	PCIe RX	DIFF PAIR	PCIe RX	10	B51
B52		GND		GND		B52
B53	11	PCIe RX	DIFF PAIR	PCIe RX	11	B53
B54	11	PCIe RX	DIFF PAIR	PCIe RX	11	B54
B55		GND		GND		B55
B56	12	PCIe RX	DIFF PAIR	PCIe RX	12	B56
B57	12	PCIe RX	DIFF PAIR	PCIe RX	12	B57
B58		GND		GND		B58
B59	13	PCIe RX	DIFF PAIR	PCIe RX	13	B59
B60	13	PCIe RX	DIFF PAIR	PCIe RX	13	B60
B61		GND		GND		B61
B62	14	PCIe RX	DIFF PAIR	PCIe RX	14	B62
B63	14	PCIe RX	DIFF PAIR	PCIe RX	14	B63
B64		GND		GND		B64
B65	15	PCIe RX	DIFF PAIR	PCIe RX	15	B65
B66	15	PCIe RX	DIFF PAIR	PCIe RX	15	B66
B67		GND		GND		B67
B68		RESERVED	DISCRETE	RESERVED		B68
B69		RESERVED	DISCRETE	RESERVED		B69
B70		PRSNT DETECT	DISCRETE	PRSNT DETECT		B70

COMMONED

COMMONED

THIS DRAWING IS A CONTROLLED DOCUMENT.		DWN B. MATTHEWS 30AUG2019 CHK R. HENRY 30AUG2019 APVD -	STE TE Connectivity NAME SLIVER 2.0 4C 30AWG RIGHT ANGLE TO RIGHT ANGLE
DIMENSIONS: mm	TOLERANCES UNLESS OTHERWISE SPECIFIED: 0 PLC ±. 1 PLC ±0.5 2 PLC ±0.13 3 PLC ±0.013 4 PLC ±0.001 ANGLES ±.	PRODUCT SPEC APPLICATION SPEC WEIGHT CUSTOMER DRAWING	SIZE CAGE CODE DRAWING NO RESTRICTED TO A100779C=2361357 SCALE 1:1 SHEET 3 OF 3 REV B