

THIS DRAWING IS UNPUBLISHED.

RELEASED FOR PUBLICATION

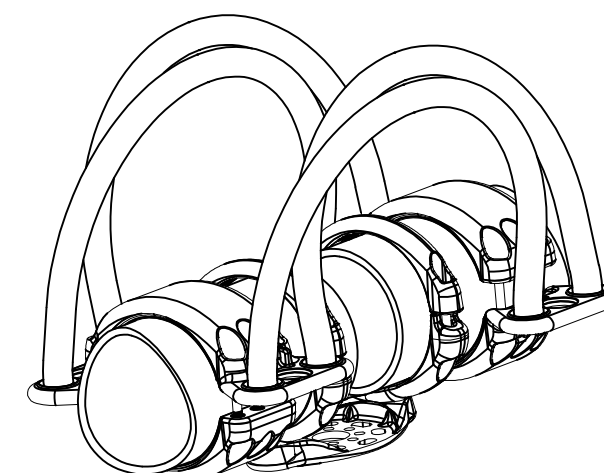
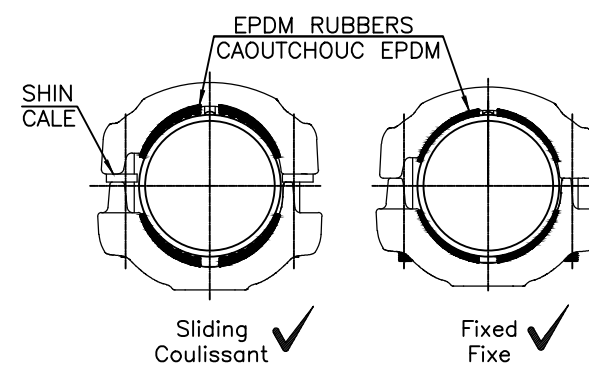
ALL RIGHTS RESERVED.

© COPYRIGHT - By -

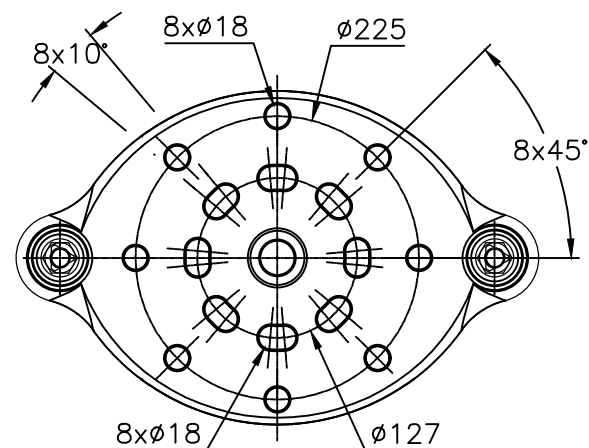
REVISIONS

P	LTR	DESCRIPTION	DATE	DWN	APVD
	A	CREATION	12-AUG-19	BH	-

F'
(No scale)
(Sans échelle)

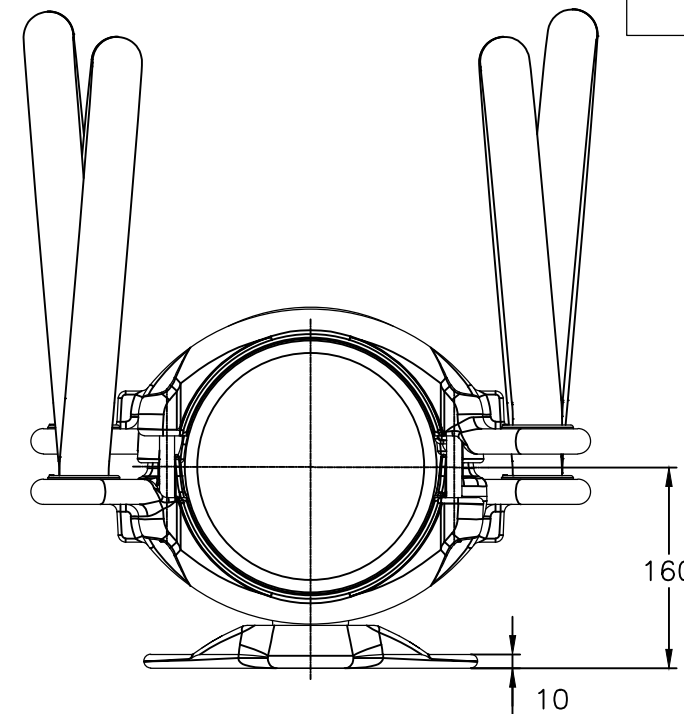
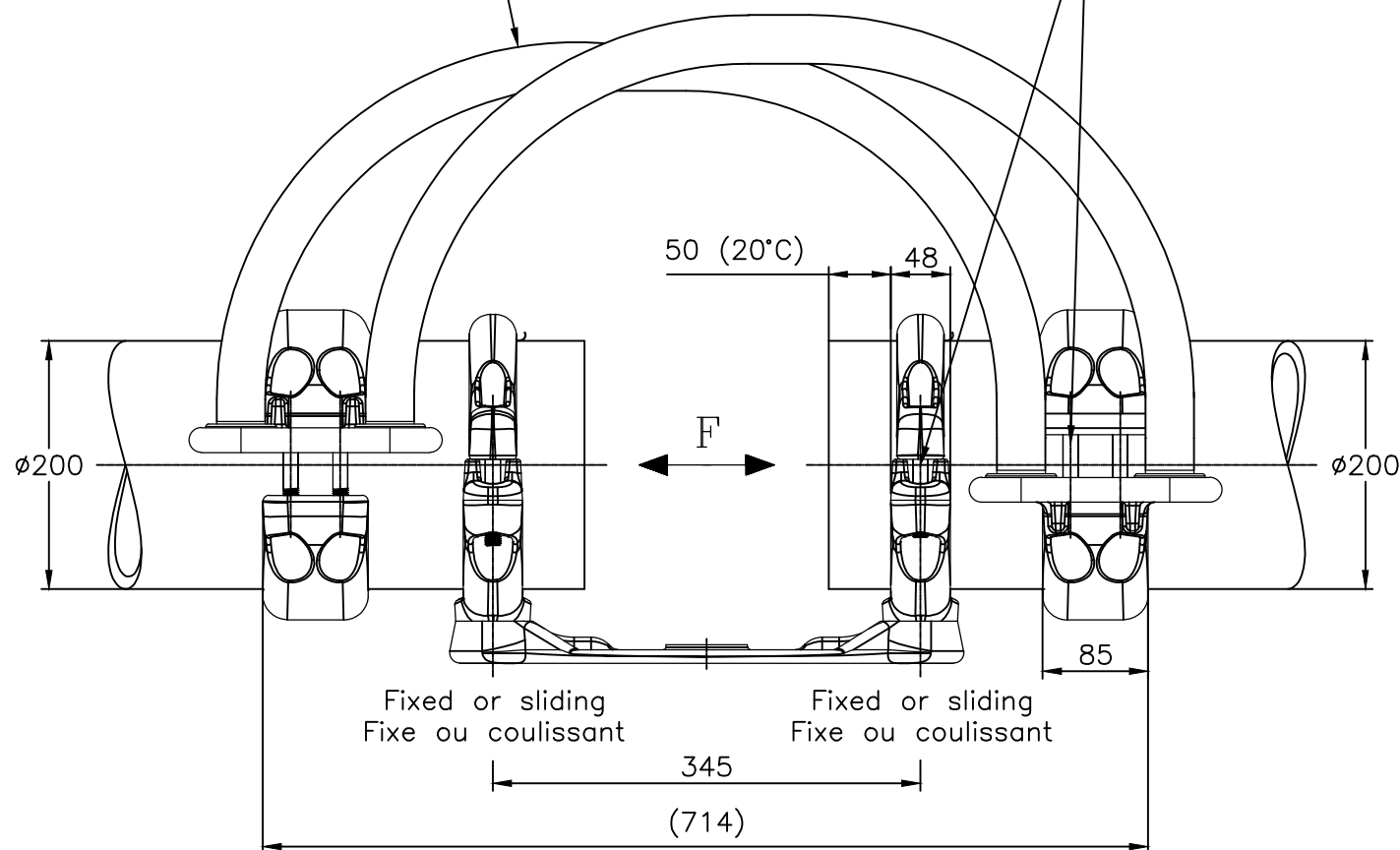


No scale
Sans échelle



M12 Stainless steel bolts A4: 60Nm
Boulons M12 acier inoxydable A4: 60Nm

4x SAL 721



THIS DRAWING IS A CONTROLLED DOCUMENT.

DWN HUARD 12-Aug-19

CHK -

APVD -

PRODUCT SPEC

108-69094-001

APPLICATION SPEC

-

APPROX.WEIGHT 27.3 kg

CUSTOMER DRAWING



NAME FLEXIBLE JUNCTION BUSBAR SUPPORT ON BPI

SUPPORT JUNCTION SOUPLE POUR TUBE SUR ISO

5 TJRL 84 P5-P225 TR200 47

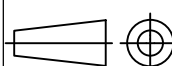
SIZE CAGE CODE DRAWING NO RESTRICTED TO

A3 00779 C=2361042 -

SCALE 1:6 SHEET 1 OF 1 REV A

DIMENSIONS:

mm



TOLERANCES UNLESS OTHERWISE SPECIFIED:

0 PLC	± -
1 PLC	± -
2 PLC	± -
3 PLC	± -
4 PLC	± -
ANGLES	± -
FINISH	-

ITEM:.....