

REVISIONS

P	LTR	DESCRIPTION	DATE	DWN	APVD
A		INITIAL RELEASE	05MAY2022	LL	DZ

NOTES:

1. MATERIAS:
 PLASTICS: HIGH TEMPERATURE THERMOPLASTIC UL94V-0, COLOR: BLACK.
 SHELL: STAINLESS
 CONTACT: COPPER ALLOY

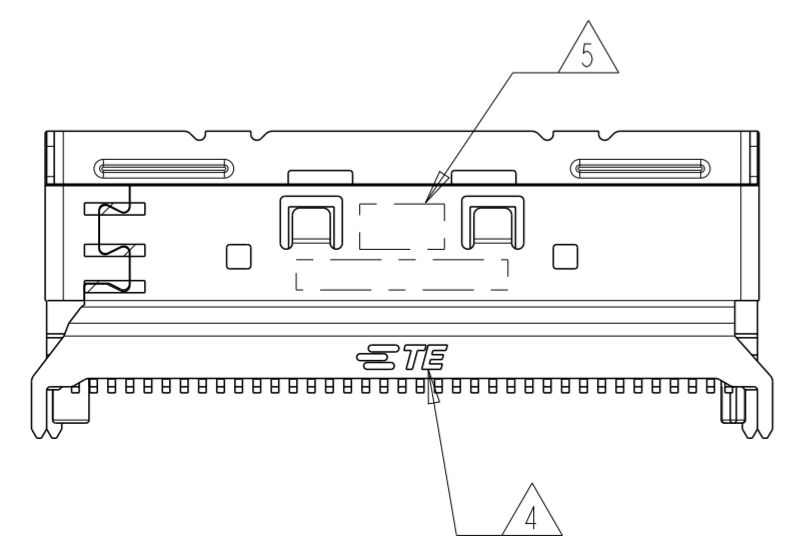
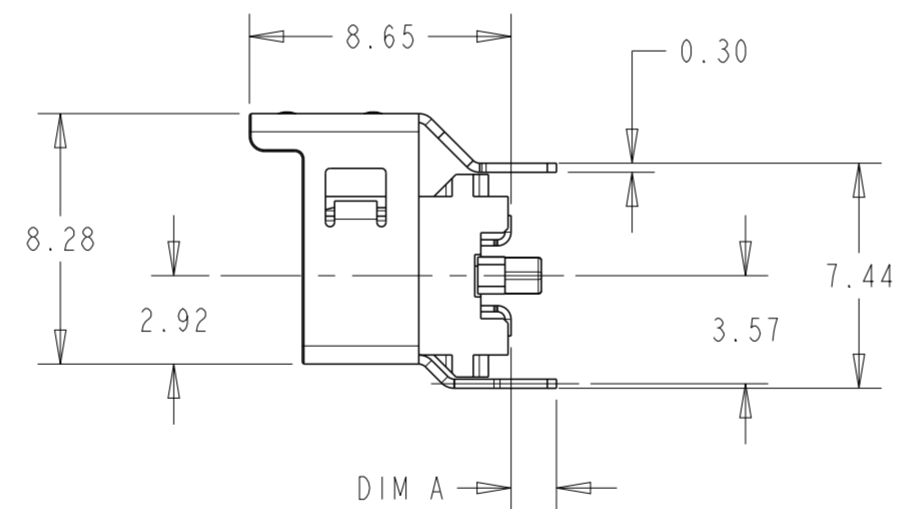
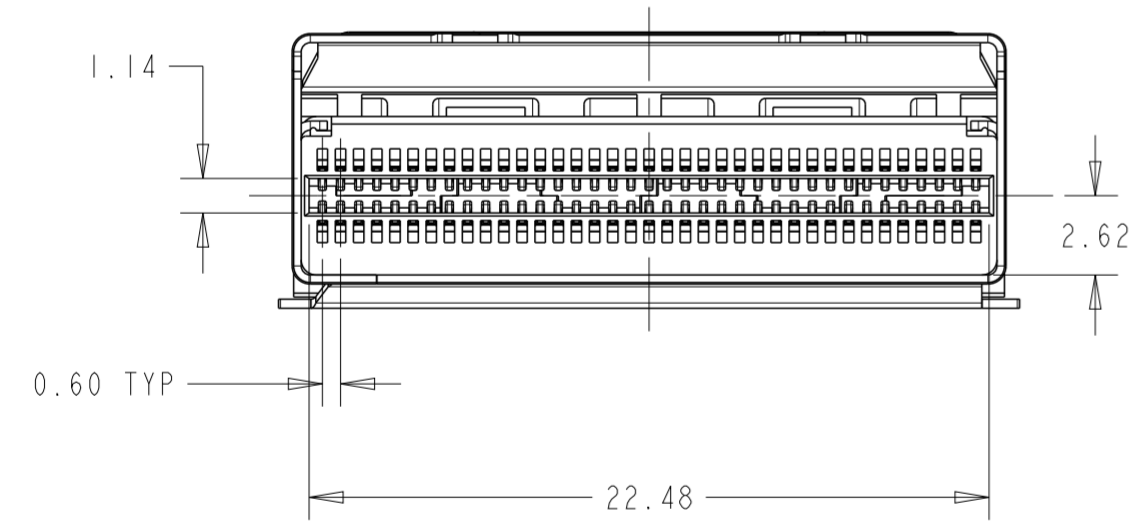
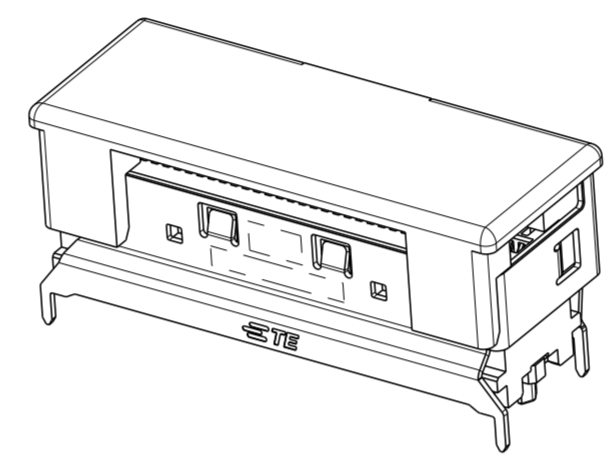
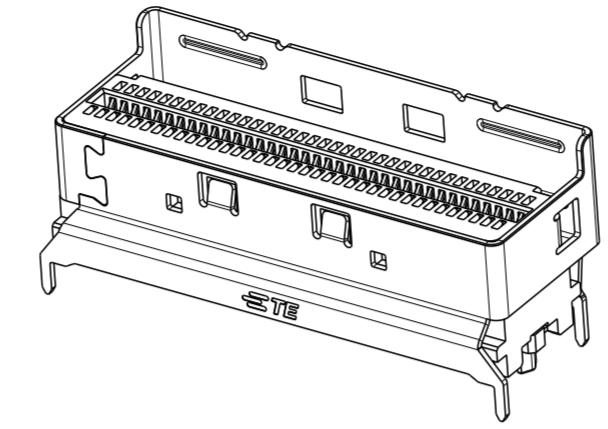
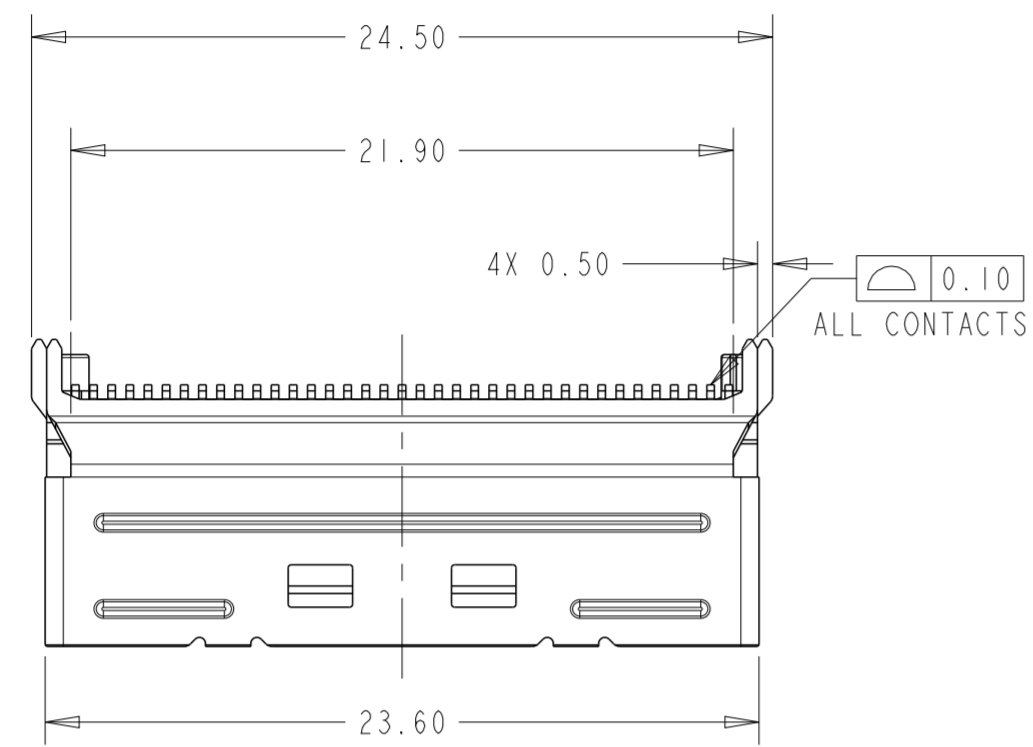
2. FINISH:
 TERMINAL: CONTACT AREA: SELECTED GOLD PLATING, SEE TABLE.
 SOLDER AREA: MATTE TIN PLATING 100u".
 UNDER PLATING: NICKEL PLATING 50u" MIN OVER ALL.
 SHELL: UNDER PLATING: ELECTROLESS NICKEL PLATING 50u"MIN OVERALL.

3. HALOGEN REQUIREMENT MEET CODE 2: LOW BR/CL AS DEFINED IN TEC-138-702.

4. TE CONNECTIVITY LOGO MARKED IN APPROXIMATE AREA SHOWN.

5. PART NUMBER AND DATE CODE MARKED IN APPROXIMATE AREA SHOWN.

6. TAPE AND REEL PACKAGED FOR PICK AND PLACE SMT PROCESSING.
 SEE FIGURE 1. POCKET TAPE WIDTH = 44.



STANDARD CONSTRUCTION	CARTON QUANTITY	REEL QUANTITY	CAP OPTION	CONTACT FINISH	DIM A	PART NUMBER
STANDARD CONSTRUCTION	450PCS	150PCS	W/ CAP	30u" GOLD	4.20MM	1-2359992-8
					3.00MM	1-2359992-7
			W/O CAP	15u" GOLD	2.20MM	1-2359992-6
					1.50MM	1-2359992-5
STANDARD CONSTRUCTION	450PCS	150PCS	W/ CAP	30u" GOLD	4.20MM	2359992-4
					3.00MM	1-2359992-3
			W/O CAP	15u" GOLD	2.20MM	1-2359992-2
					1.50MM	1-2359992-1

THIS DRAWING IS A CONTROLLED DOCUMENT.

DWN: LEO LI 22JUL2019
 CHK: DAVID ZHANG 22JUL2019
 APVD: DAVID ZHANG 22JUL2019

STE TE Connectivity

NAME: LOW PROFILE SLIM SAS X8, RECEPTACLE VERTICAL CONN.

SIZE: A2 CAGE CODE: 00779 DRAWING NO: C-2359992 RESTRICTED TO: 3 REV: A

MATERIAL: SEE NOTE DIMENSIONS: mm TOLERANCES UNLESS OTHERWISE SPECIFIED: 0 PLC ±, 1 PLC ±0.20, 2 PLC ±0.15, 3 PLC ±0.10, 4 PLC ±, ANGLES ±2°, FINISH: -

CUSTOMER DRAWING SCALE: 4:1 SHEET: 1 OF 3

P	LTR	DESCRIPTION	DATE	DWN	APVD
-	-	SEE SHEET 1	-	-	-

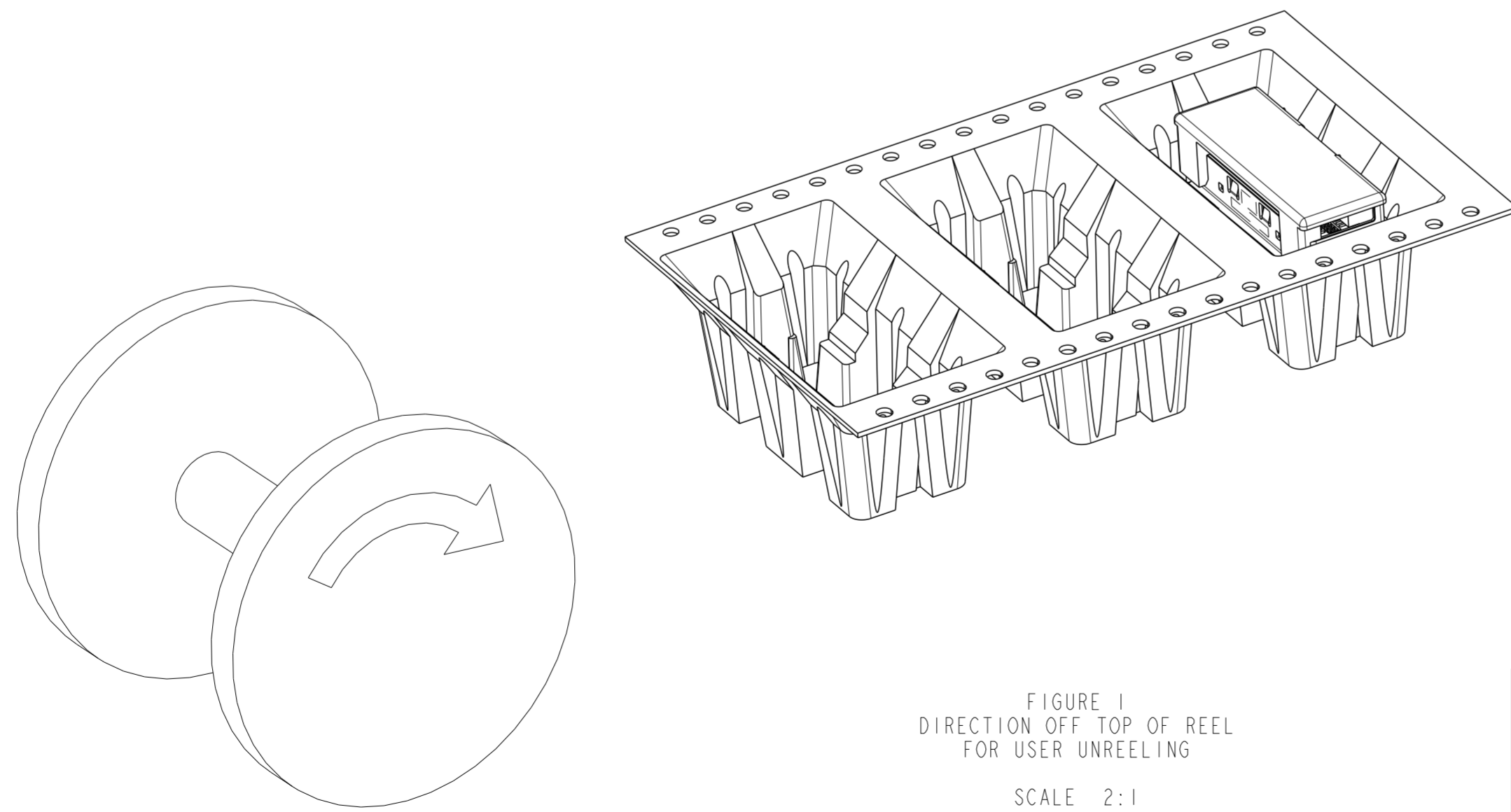
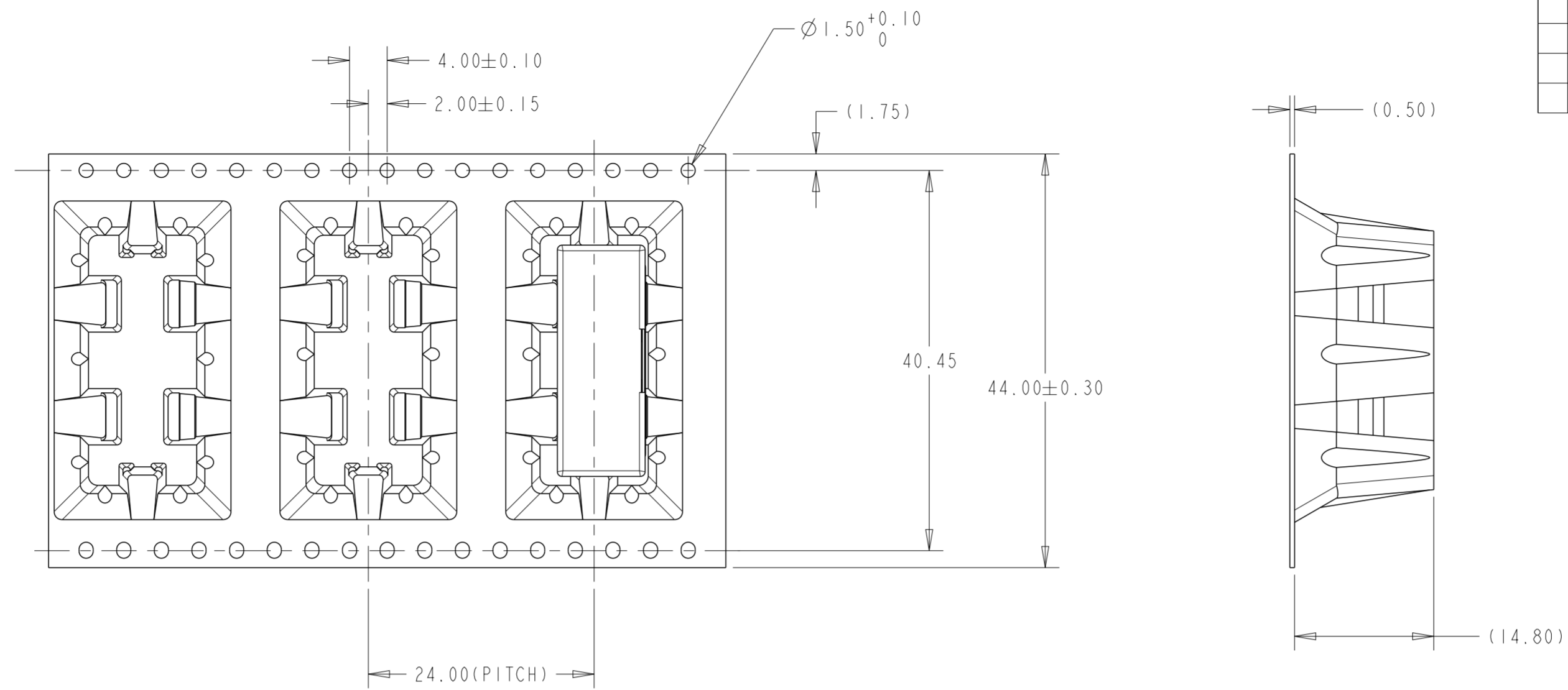


FIGURE 1
DIRECTION OFF TOP OF REEL
FOR USER UNREELING
SCALE 2:1

THIS DRAWING IS A CONTROLLED DOCUMENT.		DWN LEO LI 22 JUL 2019	TE Connectivity	
DIMENSIONS: mm		CHK DAVID ZHANG 22 JUL 2019		
TOLERANCES UNLESS OTHERWISE SPECIFIED:		APVD DAVID ZHANG 22 JUL 2019	NAME LOW PROFILE SLIM SAS X8, RECEPTACLE VERTICAL CONN.	
0 PLC	±	PRODUCT SPEC	SIZE	CAGE CODE
1 PLC	±0.20	APPLICATION SPEC	A2	00779
2 PLC	±0.15	WEIGHT	DRAWING NO	RESTRICTED TO
3 PLC	±0.10	CUSTOMER DRAWING	C-2359992	SCALE 4:1
4 PLC	±		SCALE	SHEET 3 OF 3
ANGLES	±2°			REV A
FINISH	-			
MATERIAL	SEE NOTE			