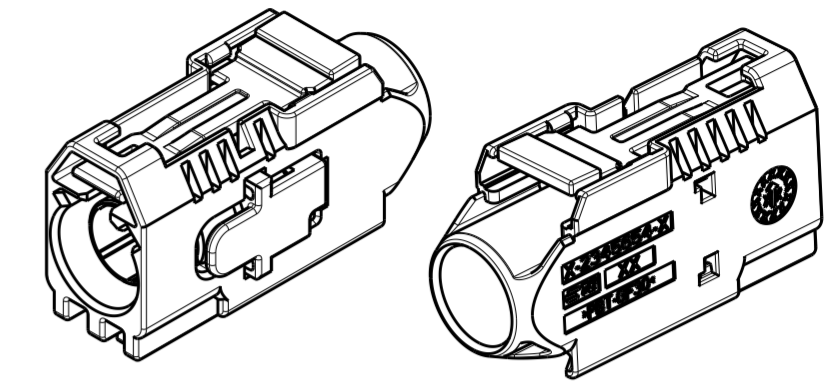
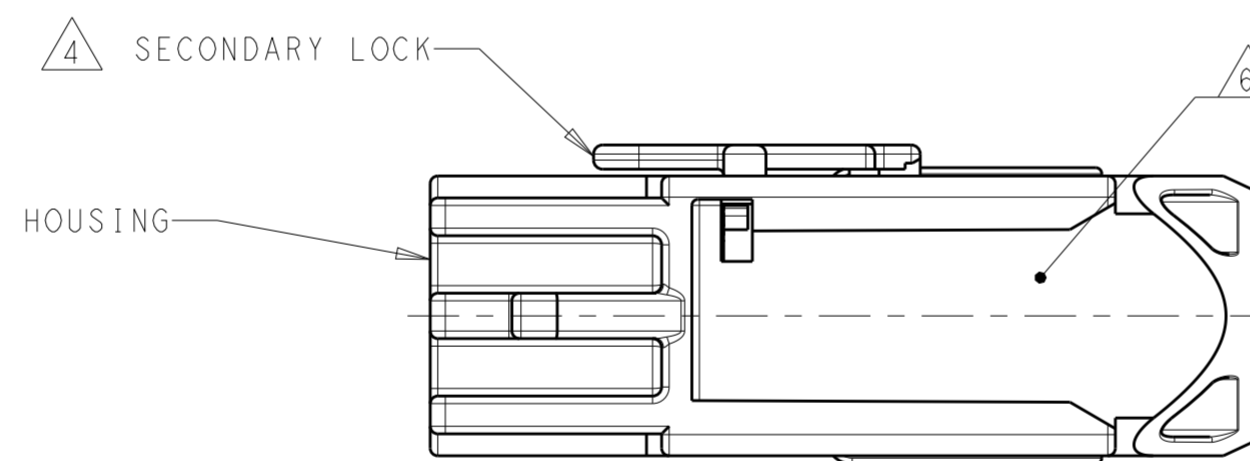
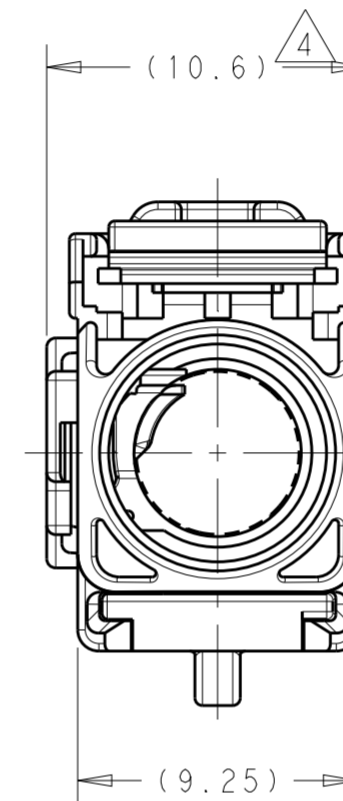
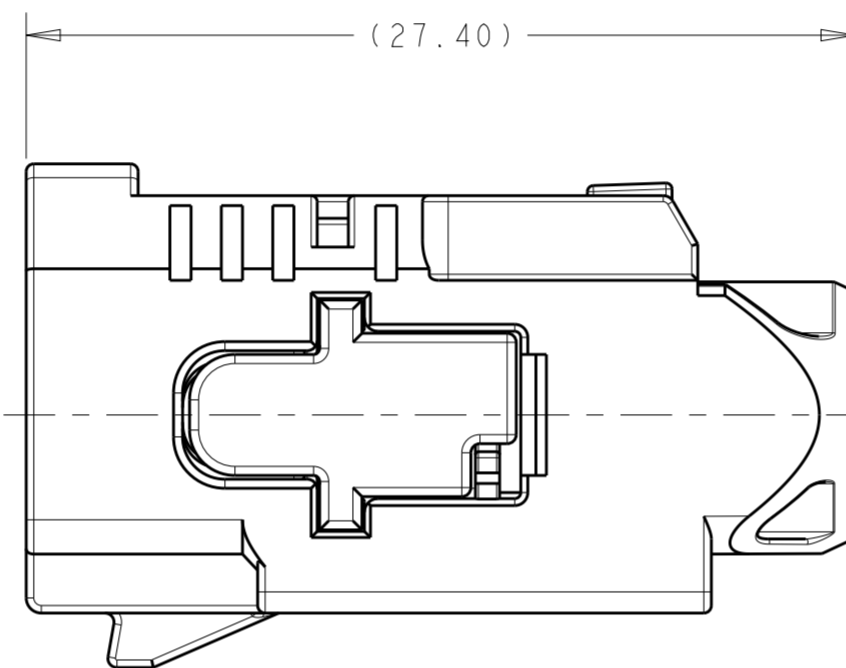
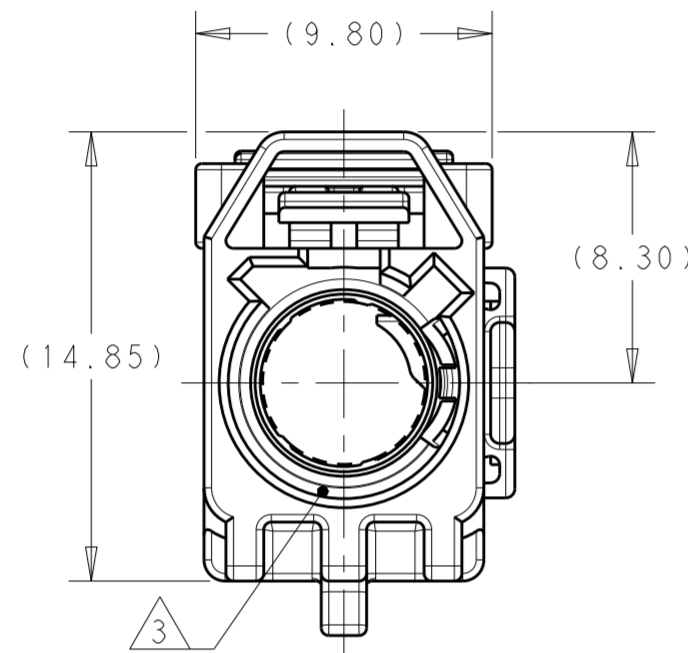


REVISIONS				
P	LTR	DESCRIPTION	DATE	APVD
1		INITIAL DRAWING	07JUL2019	JMS
A		RELEASED.	12SEP2019	KF



ISOMETRIC VIEWS
SCALE 2:1

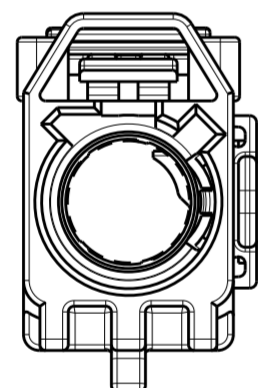
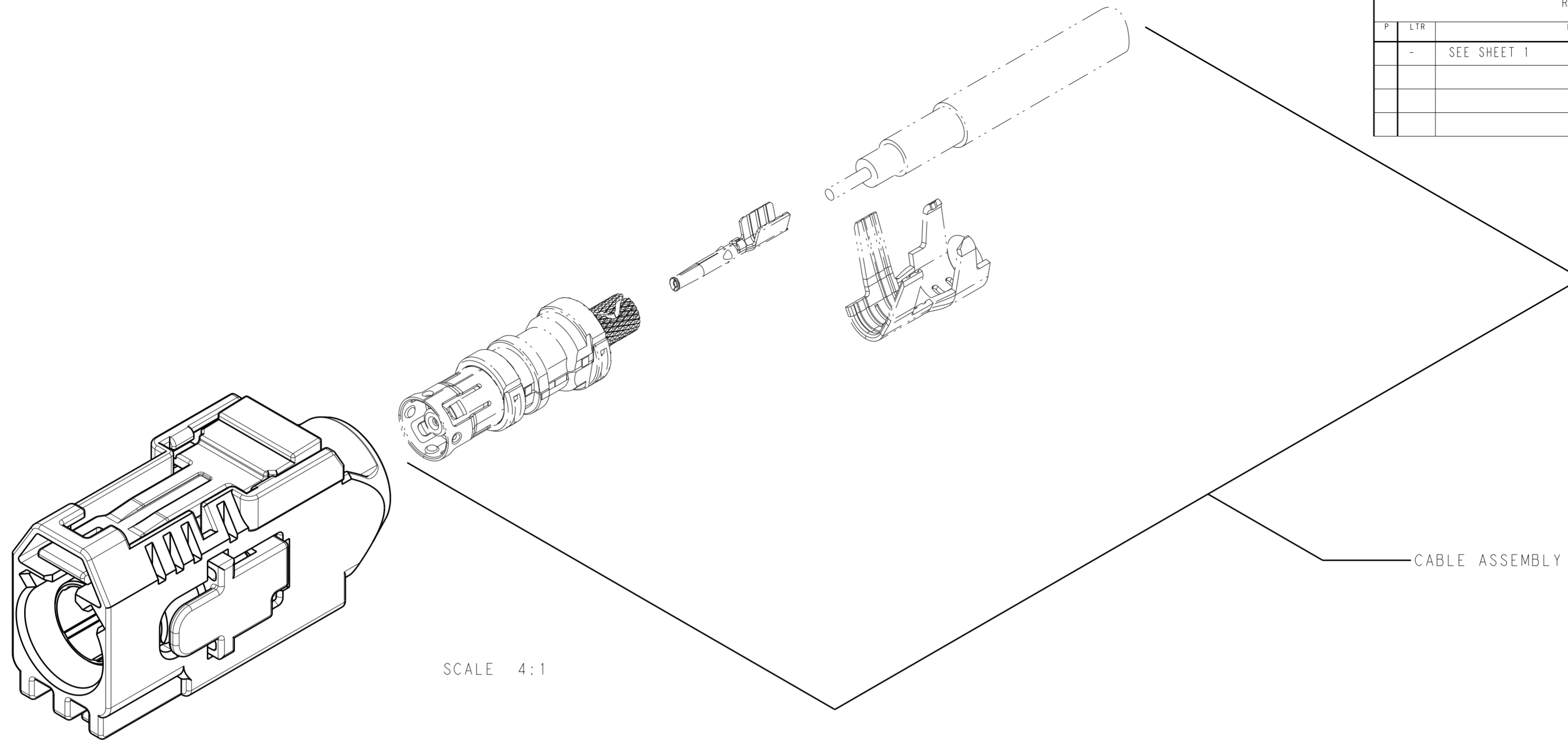


2203275-[1] (SOLD SEPARATELY) SEE SHEET 2	Z	PER DETAIL Z	WATER BLUE	2-2359321-0
	N	PER DETAIL N	PASTEL GREEN	1-2359321-3
	M	PER DETAIL M	PASTEL ORANGE	1-2359321-2
	L	PER DETAIL L	CARMINE RED	1-2359321-1
	K	PER DETAIL K	CURRY	1-2359321-0
	I	PER DETAIL I	BEIGE	2359321-9
	H	PER DETAIL H	HEATHER VIOLET	2359321-8
	G	PER DETAIL G	BLUE GREY	2359321-7
	F	PER DETAIL F	NUT BROWN	2359321-6
	E	PER DETAIL E	LEAF GREEN	2359321-5
	D	PER DETAIL D	CLARET VIOLET	2359321-4
C	PER DETAIL C	SIGNAL BLUE	2359321-3	
B	PER DETAIL B	CREAM	2359321-2	
A	PER DETAIL A	JET BLACK	2359321-1	
CABLE ASSEMBLY QTY=1	CODING REF	KEYING	CODING COLOR	PART NUMBER

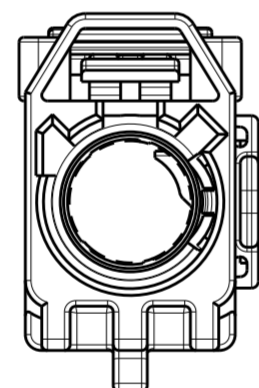
- 1 HOUSING - POLYESTER PBT, COLOR: SEE TABLE, GLASS FILLED. SECONDARY LOCK - POLYESTER PBT, TRAFFIC RED GLASS FILLED. CABLE ASSEMBLY - SEE DRAWING 2203275.
- 2 CABLE ASSEMBLY: SEE TABLE.
- 3 FEMALE INTERFACE PER ISO-20860-1, ISO-20860-2, SAE/USCAR-17, SAE/USCAR-18.
- 4 SECONDARY LOCK IN PRE-SET POSITION. IF SECONDARY LOCK IS IN FULLY LOCKED POSITION, SEE 408-162008 FOR INSTRUCTIONS TO RE-SET SECONDARY LOCK TO PRE-SET POSITION.
- 5. 2359321-1 AS SHOWN.
- 6 STANDARD 7mm CLIP SLOT EWCAP-005-7.

THIS DRAWING IS A CONTROLLED DOCUMENT.		DWN J. SHIRK 07JUL2019	TE Connectivity	
DIMENSIONS: mm		CHK N. EVANS 07JUL2019		
TOLERANCES UNLESS OTHERWISE SPECIFIED:		APVD N. EVANS 07JUL2019	NAME FEMALE HOUSING ASSEMBLY, CLIP SLOT, 1 POSITION, FAKRA	
0 PLC ±		PRODUCT SPEC 108-32137	RESTRICTED TO	
1 PLC ±		APPLICATION SPEC 114-32145	SIZE A2	CAGE CODE -
2 PLC ±		WEIGHT -	DRAWING NO C-2359321	SCALE 4:1
3 PLC ±		CUSTOMER DRAWING	SHEET 1 OF 2	REV A
4 PLC ±				
ANGLES ±				
FINISH				

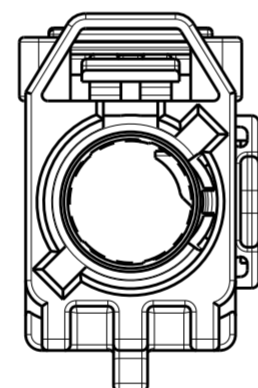
P	LTR	DESCRIPTION	DATE	DWN	APVD
-		SEE SHEET 1	-	-	-



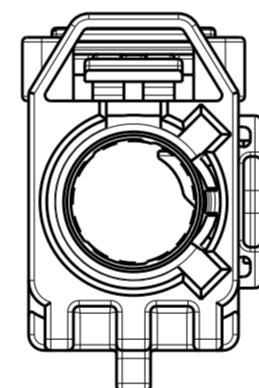
DETAIL A
SCALE 3:1



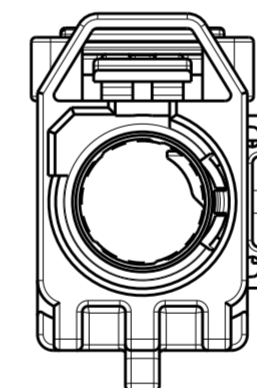
DETAIL B
SCALE 3:1



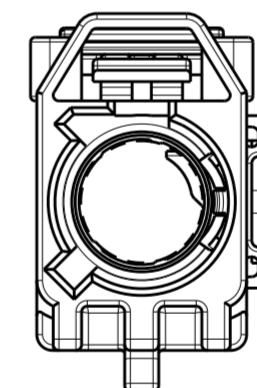
DETAIL C
SCALE 3:1



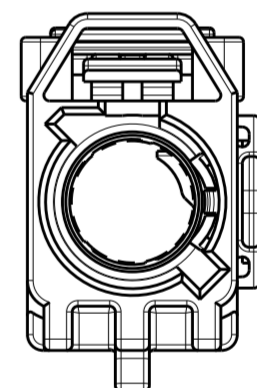
DETAIL D
SCALE 3:1



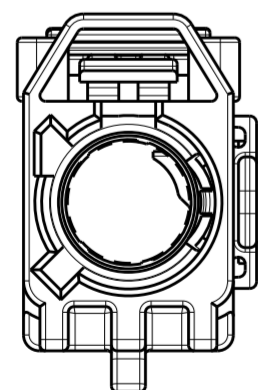
DETAIL E
SCALE 3:1



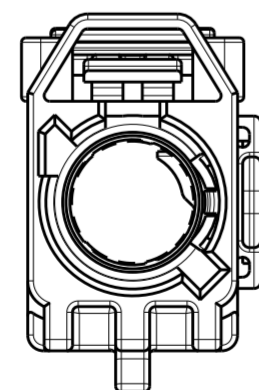
DETAIL F
SCALE 3:1



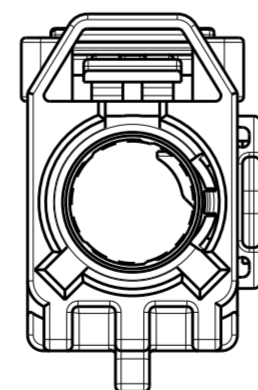
DETAIL G
SCALE 3:1



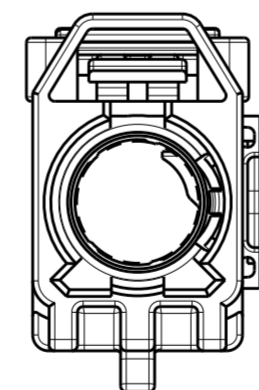
DETAIL H
SCALE 3:1



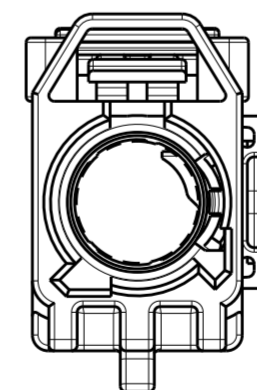
DETAIL I
SCALE 3:1



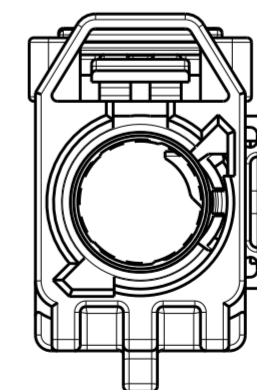
DETAIL K
SCALE 3:1



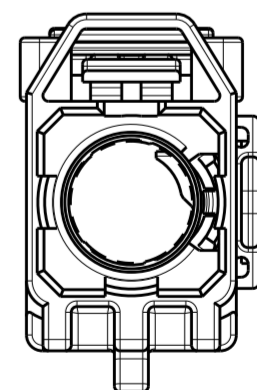
DETAIL L
SCALE 3:1



DETAIL M
SCALE 3:1



DETAIL N
SCALE 3:1



DETAIL Z
SCALE 3:1

THIS DRAWING IS A CONTROLLED DOCUMENT.		DWN J. SHIRK 07 JUL 2019		
DIMENSIONS:		CHK N. EVANS 07 JUL 2019		
mm		APVD N. EVANS 07 JUL 2019		
		PRODUCT SPEC 108-32137		
TOLERANCES UNLESS OTHERWISE SPECIFIED:		APPLICATION SPEC 114-32145	NAME FEMALE HOUSING ASSEMBLY, CLIP SLOT, 1 POSITION, FAKRA	
0 PLC ±		WEIGHT -	SIZE A2	CAGE CODE -
1 PLC ±		CUSTOMER DRAWING	DRAWING NO. G-2359321	RESTRICTED TO -
2 PLC ±		SCALE 4:1	SHEET 2 OF 2	REV A
3 PLC ±				
4 PLC ±				
ANGLES ±				
FINISH				