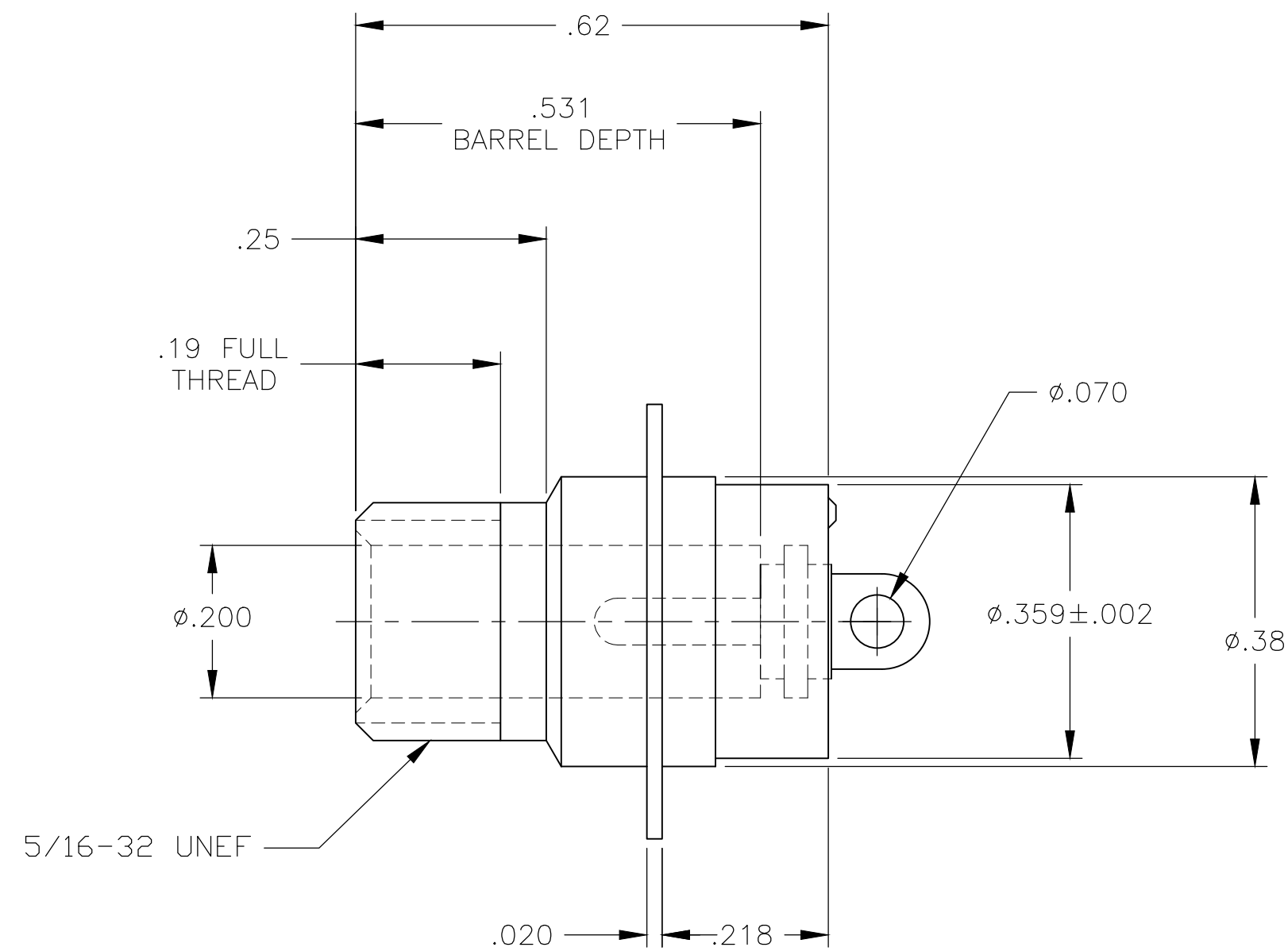
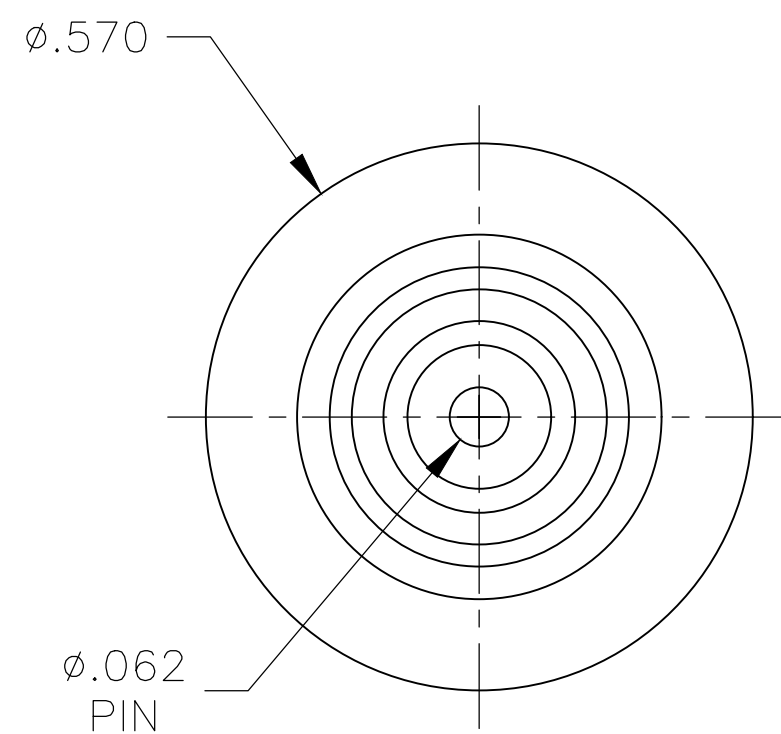


THIS DRAWING IS UNPUBLISHED. RELEASED FOR PUBLICATION  
 © COPYRIGHT - TE Connectivity Ltd. ALL RIGHTS RESERVED.

REVISIONS					
P	LTR	DESCRIPTION	DATE	DWN	APVD
A		RELEASED PER ECO 19-013566	9-4-19	CT	DM

1. SCREW THREAD MEASUREMENT IN ACCORDANCE WITH H28 HANDBOOK (3 WIRE METHOD) USING WIRE .01804 DIA MEASUREMENT OVER WIRE SHALL BE .318/.307
2. THIS RECEPTACLE IS HERMETICALLY SEALED.
3. FINISH: TIN-LEAD.



2358593-1  
 PART NUMBER

THIS DRAWING IS A CONTROLLED DOCUMENT.		DWN C.C.THOMAS 9-4-19				
DIMENSIONS: INCHES		CHK D.MILLER 9-4-19				
		APVD D.MILLER 9-4-19				
TOLERANCES UNLESS OTHERWISE SPECIFIED: 0 PLC ± - 1 PLC ± - 2 PLC ± .01 3 PLC ± .005 4 PLC ± - ANGLES ± 1°		NAME D.MILLER				
MATERIAL MOLDED GLASS EPOXY	FINISH BLACK	PRODUCT SPEC APPLICATION SPEC WEIGHT 0	SIZE A2	CAGE CODE 00779	DRAWING NO C=2358593	RESTRICTED TO -
CUSTOMER DRAWING			SCALE 5:1	SHEET 1 of 1	REV A	